

Safety Instructions

Deltapilot M

FMB50, FMB51

4-20 mA HART, PROFIBUS PA, FOUNDATION Fieldbus

Ex ta IIIC T75 °C T₅₀₀ 100 °C Da/Db (HART)

Ex ta IIIC T75 °C T₅₀₀ 105 °C Da/Db (PA, FF)

IECE_x KEM 09.0016

Document: XA00479P-B

Safety instructions for electrical apparatus for explosion-hazardous areas
according to IEC standards

Deltapilot M

FMB50, FMB51

english

4-20 mA HART, PROFIBUS PA, FOUNDATION Fieldbus

Associated Documentation

This document is an integral part of the following Operating Instructions:
BA00382P/00

The Operating Instructions which are supplied and correspond to the device type apply.

Supplementary Documentation

Explosion-protection brochure:
CP00021Z/11

Designation

Explanation of the labelling and type of protection can be found in the explosion protection brochure.

Designation according to IECEx Equipment protection level (EPL)

Da/Db

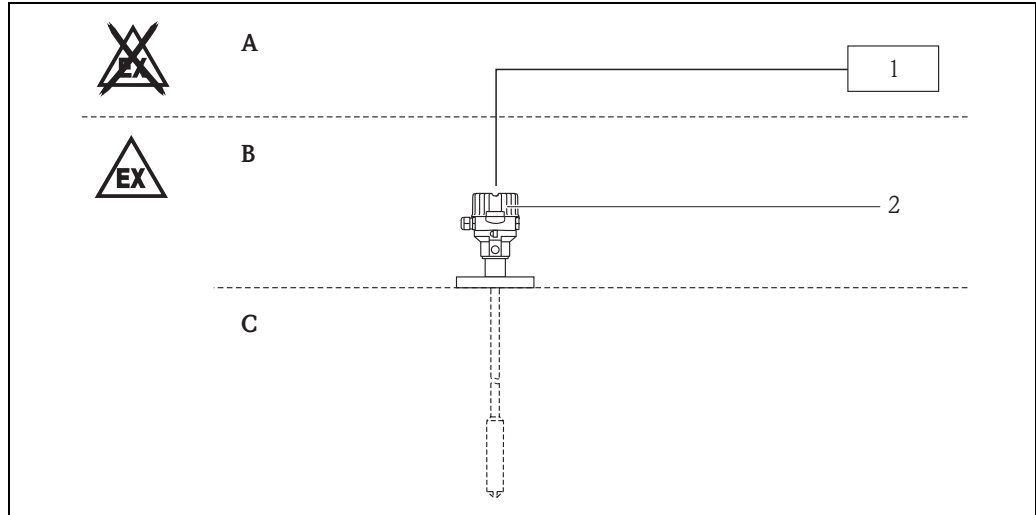
Designation of type of protection/ level of protection

HART:	Ex	ta	IIIC	T75 °C	T ₅₀₀	100 °C	Da/Db
PA, FF:	Ex	ta	IIIC	T75 °C	T ₅₀₀	105 °C	Da/Db

Applied standards

IEC 60079-0 :2011
IEC 60079-31 :2008

**Safety instructions:
Installation**



- A** Power supply
- B** Zone 21, Electronic
- C** Zone 20, Process
- 1** Power supply U
- 2** FMB50, FMB51

- Comply with the installation and safety instructions in the Operating Instructions.
- Install the device according to the manufacturer's instructions and any other valid standards and regulations.
- Only install the devices in media for which the wetted materials have sufficient durability.
- Do not open in a potentially explosive dust atmosphere.
- Seal the cable entry or piping tight (see housing ingress protection in the table above).
- Only use cable glands with IECEx Ex e or dust Ex approval or metallic glands with min. IP65 ingress protection. Lay connecting cable strong.

FMB51

- Mechanically fix rod probes which are more than 3 m (e.g. using guy ropes).

Temperature tables

Electronic insert	Type of protection/ level of protection	Ingress protection of housing	Max. surface temperature under fault conditions	Ambient temperature (Housing)
4-20 mA HART	Ex ta IIIC T75 °C T ₅₀₀ 100 °C Da/Db	IP66/67	without immersion: +75 °C; under 500 mm immersion: +100 °C (measured at Ta = 70 °C)	-40 °C ≤ Ta ≤ +70 °C
PROFIBUS PA, FOUNDATION Fieldbus	Ex ta IIIC T75 °C T ₅₀₀ 105 °C Da/Db	IP66/67	without immersion: +75 °C; under 500 mm immersion: +105 °C (measured at Ta = 70 °C)	-40 °C ≤ Ta ≤ +70 °C

Connection data

Electronic insert	Electrical data
4-20 mA HART	Power supply U ≤ 45 V DC
PROFIBUS PA, FOUNDATION Fieldbus	Power supply U ≤ 32 V DC



71224619

www.addresses.endress.com
