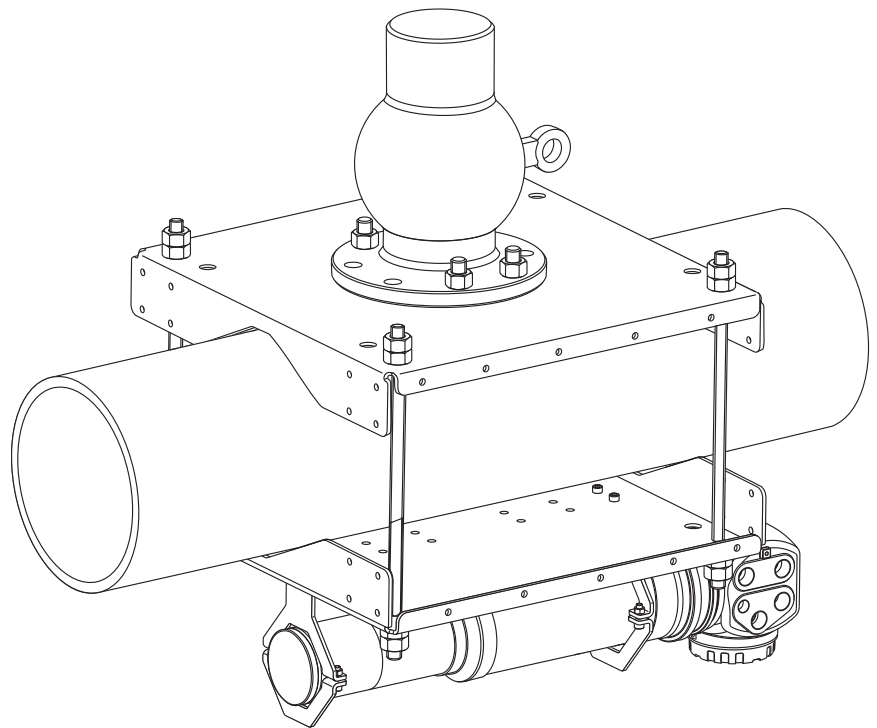


Operating Instructions

Clamping device FHG61

Radiometric Measurement

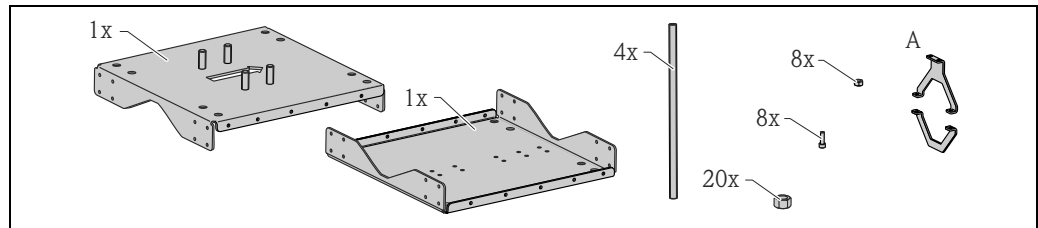


1 Clamping device FHG61

1.1 Parts of the clamping device

The clamping device for rectangular irradiated pipes consists of the parts as shown in the "Scope of delivery" and the mounting clamps (depends on the type of scintillator).

1.2 Scope of delivery



A Depending on the version of the FMG60, see KA00258F/00/A2

A0018570

1.3 Mounting

i Preferable mounting position: with the compartment housing to the top. If this is not possible, support the Gammapiilot to prevent it from gliding..

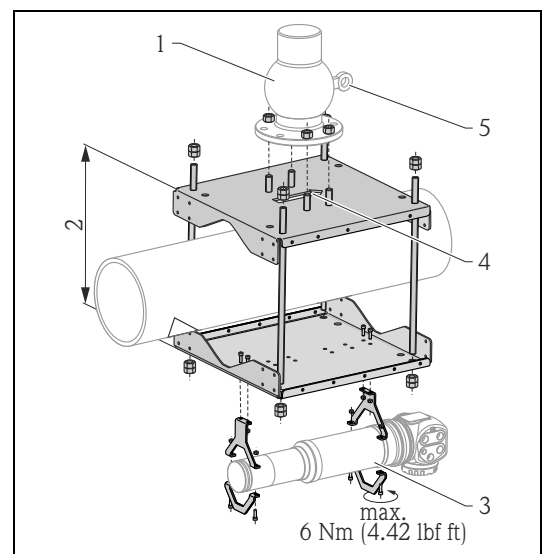
Mount the clamping device first, the source container and the FMG60 afterwards. In order to avoid injuries, shorten the threaded rods if they are projecting.

On mounting observe the following:

- Mounting position of the parts
- Mounting position of the Gammapiilot M FMG60
- Dimensions of the Gammapiilot M FMG60

1.3.1 Mounting position of the parts

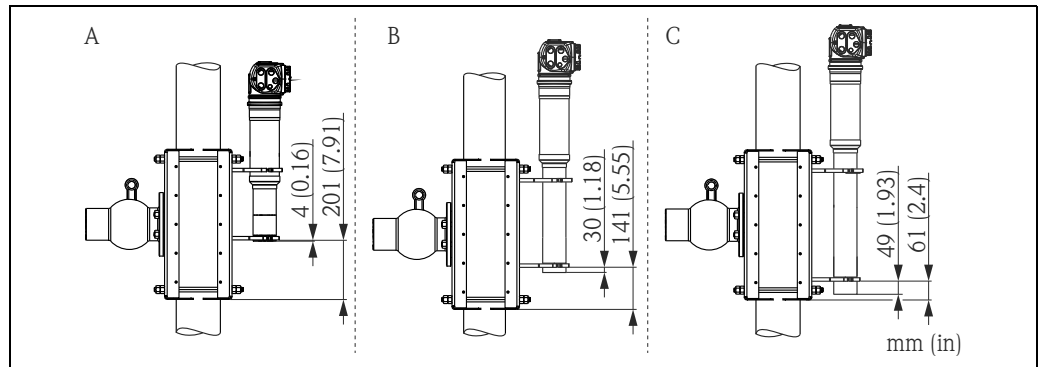
1. Source container
2. Align parallel
3. Gammapiilot M FMG60
4. Mounting position; cut-out
5. Mounting position; eyebolt



A0018571

1.3.2 Mounting position of the Gammapiot M FMG60

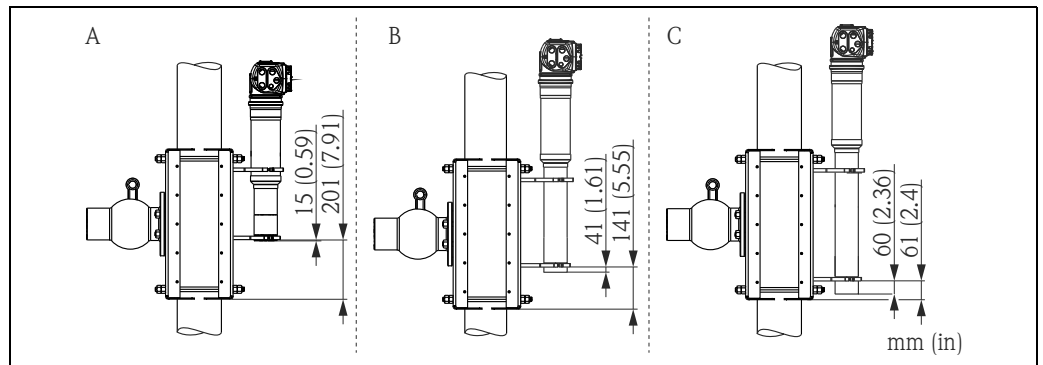
Gammapiot M FMG60 - Standard design



A0018573

- A Crystal NaI
- B Scintillator 200 mm (7.87 in)
- C Scintillator 400 mm (15.7 in)

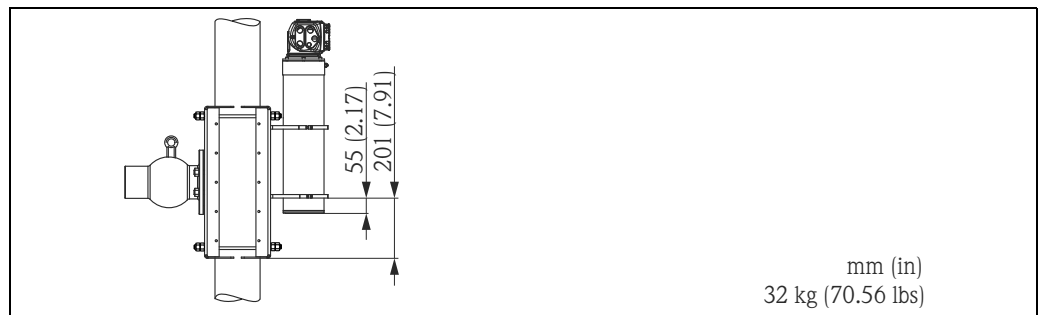
Gammapiot M FMG60 - With water cooling jacket or collimator



A0018581

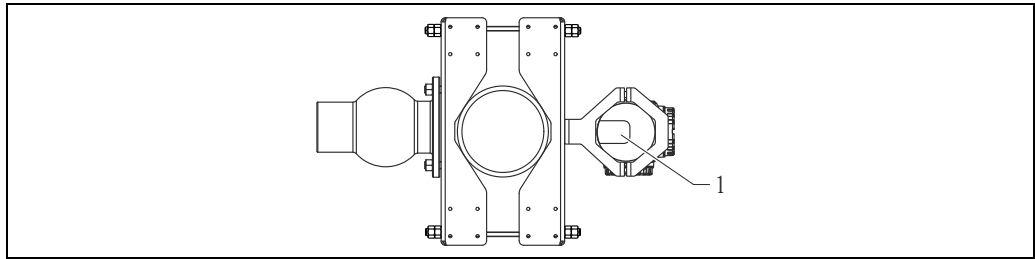
- A Crystal NaI
- B Scintillator 200 mm (7.87 in)
- C Scintillator 400 mm (15.7 in)

Gammapiot M FMG60 - Crystal with collimator



A0018582

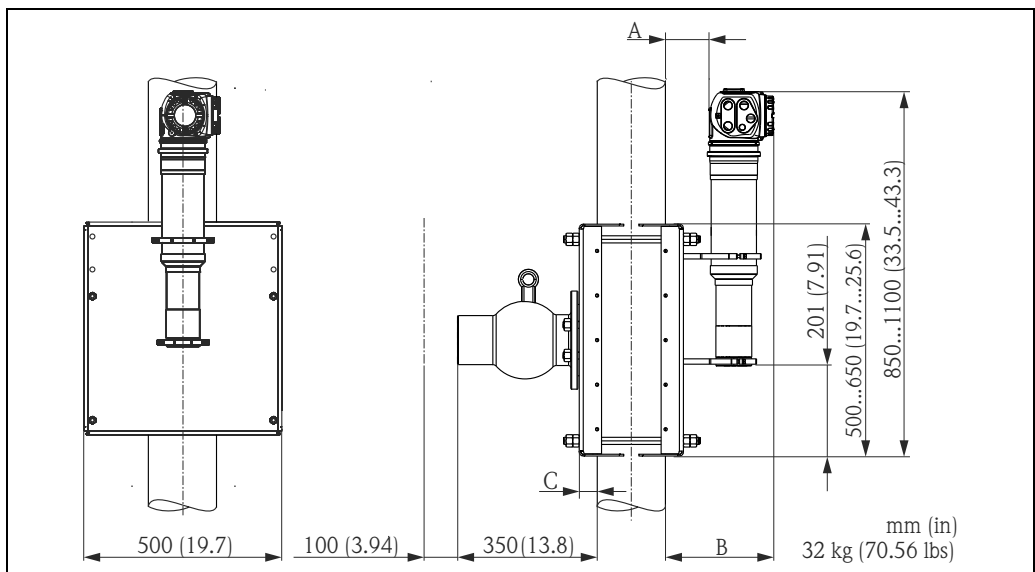
Alignment of the collimator - radiation window



A00196901

1 Radiation window

1.3.3 Dimensions of the Gammapiilot M FMG60



A0018580

Pipe ø	200 mm (7.87 in)	250 mm (9.84 in)	300 mm (11.8 in)	350 mm (13.8 in)	400 mm (15.7 in)
A	95 mm (3.74 in)	100 mm (3.94 in)	100 mm (3.94 in)	110 mm (4.33 in)	110 mm (4.33 in)
B	255 mm (10 in)	260 mm (10.2 in)	260 mm (10.2 in)	270 mm (10.6 in)	270 mm (10.6 in)
C	35 mm (1.38 in)	40 mm (1.57 in)	45 mm (1.77 in)	50 mm (1.97 in)	55 mm (2.17 in)

1.4 Materials

- Screws and nuts: A4
- All other parts: 316L (1.4404)



www.addresses.endress.com
