

Supplementary documentation for the Operating Instructions

## Proline Promag 10L, 50L, L 400, L 800

Supplementary information to following modifications:

Addition of pressure rating PN 16 DN 350 to 2000 (14 to 78")

In this documentation you will find the supplementary information for the following documentations:

- BA00082D: Proline Promag 10 HART
- BA00046D: Proline Promag 50 HART
- BA00055D: Proline Promag 50 PROFIBUS DP/PA
- BA01062D: Proline Promag L 400 HART
- BA00147D: Proline Promag L 800

## Tightening torques

### Screw tightening torques

Please note the following:

- The screw tightening torques listed below apply only to lubricated threads and to pipes not subjected to tensile stress.
- Tighten the screws uniformly and in diagonally opposite sequence.
- Overtightening the screws will deform the sealing faces or damage the seals.

Screw tightening torques for EN 1092-1 (DIN 2501), PN 16

Nominal diameter [mm]	EN (DIN) Pressure rating [bar]	Threaded fasteners	Max. screw tightening torque [Nm]		
			Hard rubber	Polyurethane	PTFE
350	PN 16	16 × M24	152	165	–
400	PN 16	16 × M27	193	215	–
500	PN 16	20 × M30	275	300	–
600*	PN 16	20 × M33	415	443	–
700	PN 16	24 × M33	278	318	–
800	PN 16	24 × M36	369	385	–
900	PN 16	28 × M36	353	398	–
1000	PN 16	28 × M39	502	518	–
1200	PN 16	32 × M45	701	753	–
1400	PN 16	36 × M45	729	–	–
1600	PN 16	40 × M52	1007	–	–
1800	PN 16	44 × M52	1108	–	–
2000	PN 16	48 × M56	1324	–	–

\* Designed acc. to EN 1092-1 (not to DIN 2501)

## Medium pressure range (nominal pressure)

As per EN 1092-1 respectively DIN 2501 (DN 350 to 2000 (14 to 78")): PN 16

## Materials

### Process connections

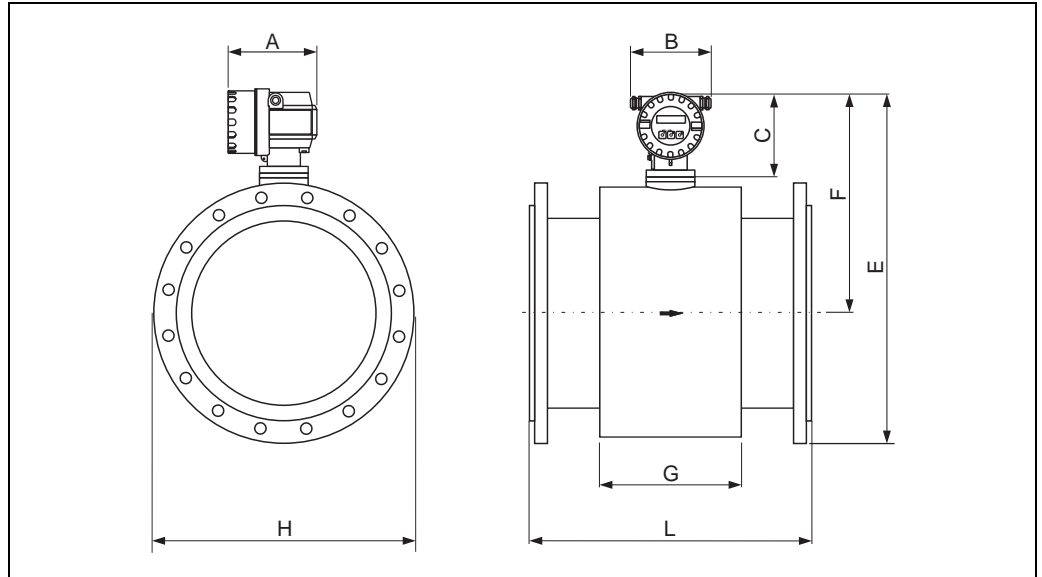
As per EN 1092-1 (DIN 2501): 1.0038/S235JRG2, A105

## Mechanical construction

### Design, dimensions

#### Compact version Promag 10L

DN 350 to 2000 (14 to 78")

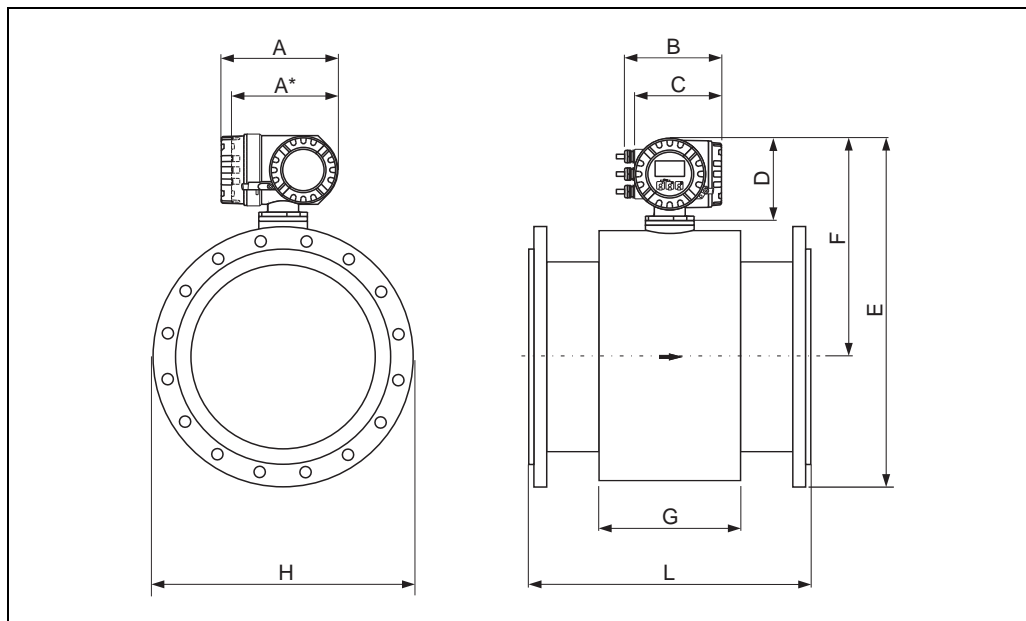


A0014993

DN		Dimension H		Dimension E	
		EN (DIN)		EN (DIN)	
		PN 16		PN 16	
[mm]	[in]	[mm]	[in]	[mm]	[in]
350	14	520	20.5	721	28.4
400	16	580	22.8	779	30.7
450	18	640	25.2	842	33.1
500	20	715	28.1	945	37.2
600	24	840	33.1	1045	41.1
700	28	910	35.8	1164	45.8
800	32	1025	40.4	1259	49.6
900	36	1125	44.3	1259	49.6
1000	40	1225	48.2	1374	54.1
1200	48	1255	49.4	1603	63.1
1400	–	1685	66.3	1815	71.5
1600	–	1930	76.0	2038	80.2
1800	72	2130	83.9	2245	88.4
2000	78	2345	92.3	2463	97.0

**Compact version Promag 50L**

*DN 350 to 2000 (14 to 78")*

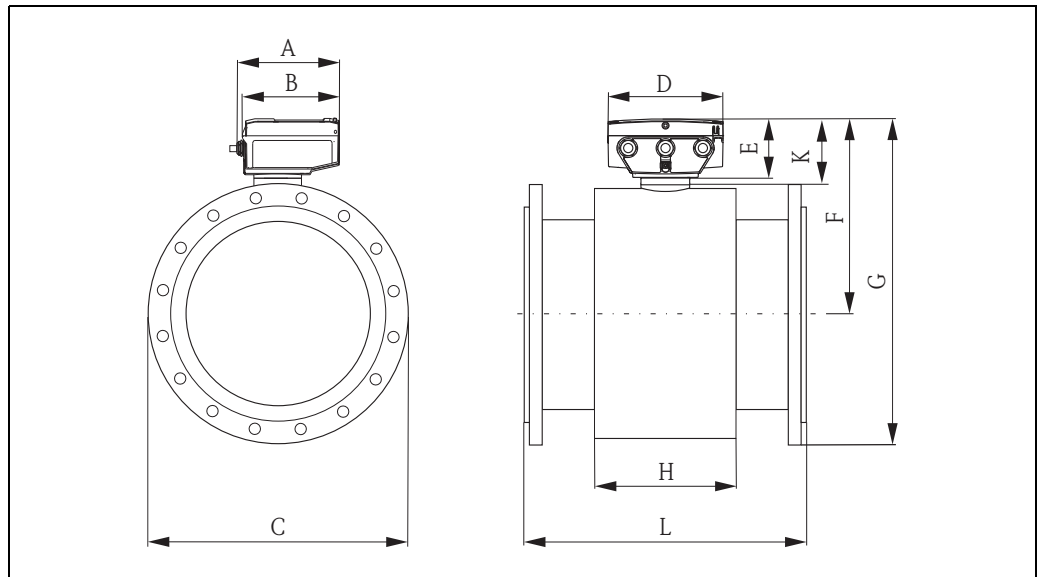


A0014951

DN		Dimension H		Dimension E	
		EN (DIN)		EN (DIN)	
		PN 16		PN 16	
[mm]	[in]	[mm]	[in]	[mm]	[in]
350	14	520	20.5	727	28.6
400	16	580	22.8	785	30.9
450	18	640	25.2	848	33.4
500	20	715	28.1	951	37.4
600	24	840	33.1	1051	41.4
700	28	910	35.8	1170	46.1
800	32	1025	40.4	1265	49.8
900	36	1125	44.3	1265	49.8
1000	40	1225	48.2	1380	54.3
1200	48	1255	49.4	1609	63.3
1400	–	1685	66.3	1821	71.7
1600	–	1930	76.0	2044	80.5
1800	72	2130	83.9	2251	88.6
2000	78	2345	92.3	2469	97.7

**Compact version Promag L 400**

*DN 350 to 2000 (14 to 78")*

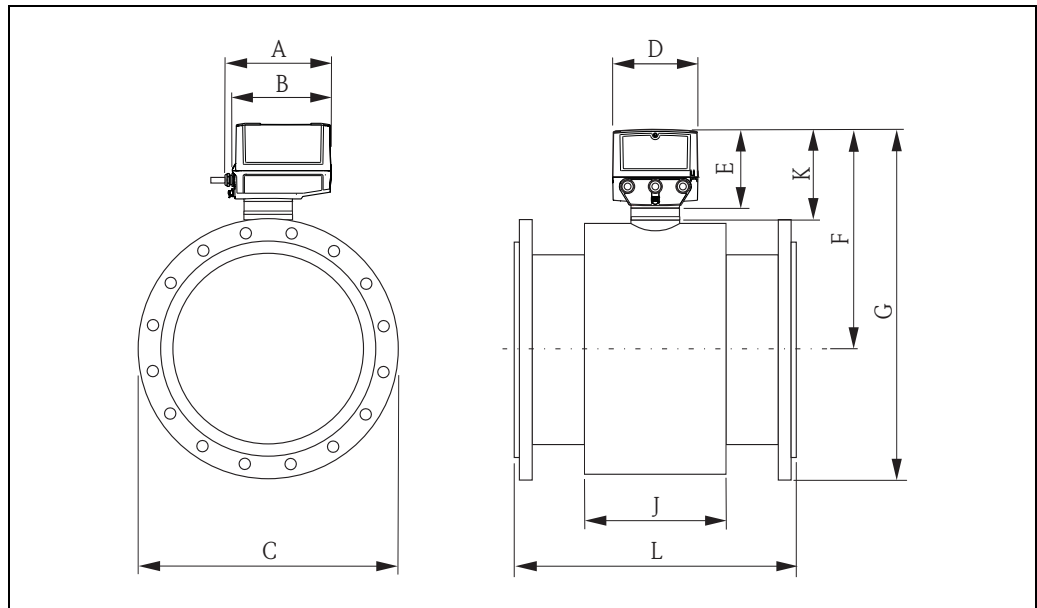


A0017153

DN		Dimension C		Dimension G	
		EN (DIN) PN 16		EN (DIN) PN 16	
[mm]	[in]	[mm]	[in]	[mm]	[in]
350	14	520	20.5	676	26.6
400	16	580	22.8	734	28.9
450	18	640	25.2	797	31.4
500	20	715	28.1	900	35.4
600	24	840	33.1	1000	39.4
700	28	910	35.8	1119	44.1
800	32	1025	40.4	1214	47.8
900	36	1125	44.3	1214	47.8
1000	40	1225	48.2	1329	52.3
1200	48	1255	49.4	1558	61.3
1400	–	1685	66.3	1770	69.7
1600	–	1930	76.0	1993	78.5
1800	72	2130	83.9	2200	86.6
2000	78	2345	92.3	2418	95.2

**Compact version Promag L 800**

*DN 350 to 600 (14 to 24")*

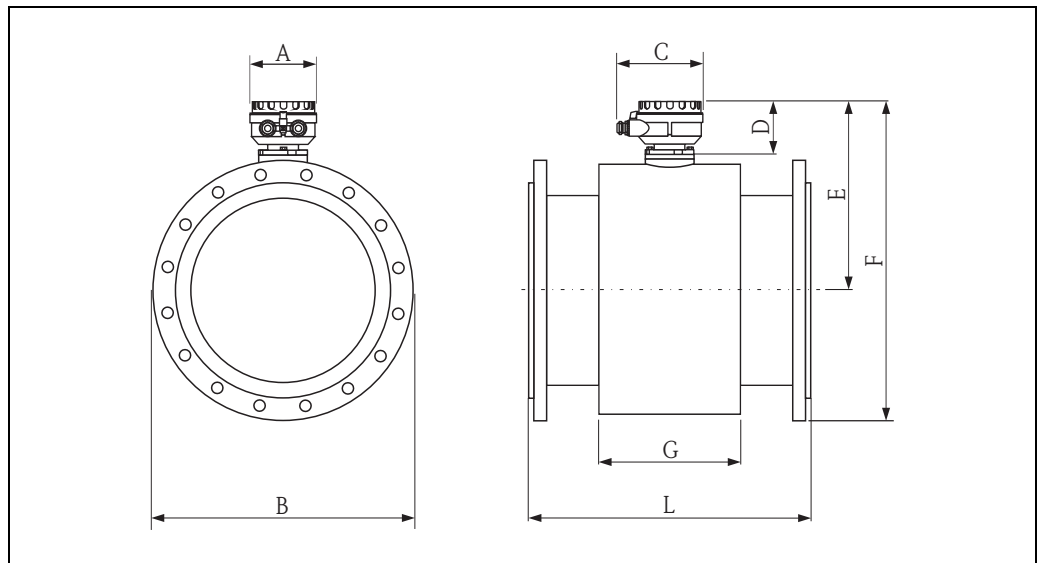


A0017395

DN		Dimension C		Dimension G	
		EN (DIN)		EN (DIN)	
[mm]	[in]	PN 16		PN 16	
		[mm]	[in]	[mm]	[in]
350	14	520	20.5	749	29.5
400	16	580	22.8	807	31.8
450	18	640	25.2	870	34.3
500	20	715	28.1	973	38.3
600	24	840	33.1	1073	42.2

**Sensor remote version Promag 10L, 50L, L 400, L 800**

*10L, 50L, L 400: DN 350 to 2000 (14 to 78")*  
*L 800: DN 350 to 600 (14 to 24")*

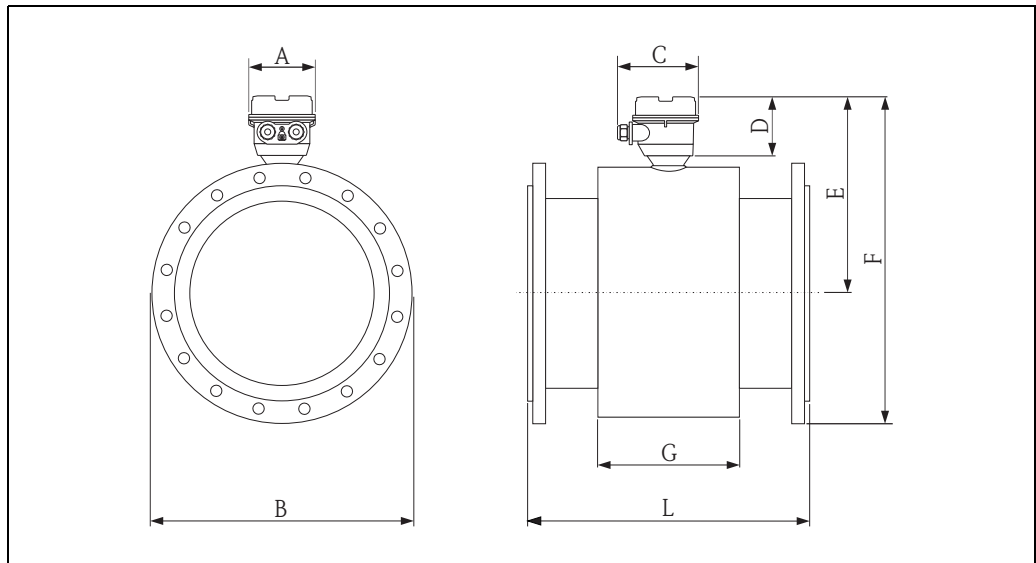


A0017284

DN		Dimension B		Dimension F	
		EN (DIN)		EN (DIN)	
		[mm]	[in]	[mm]	[in]
		PN 16		PN 16	
		[mm]	[in]	[mm]	[in]
350	14	520	20.5	613	24.1
400	16	580	22.8	667	26.3
450	18	640	25.2	727	28.6
500	20	715	28.1	790	31.1
600	24	840	33.1	893	35.2
700	28	910	35.8	1003	39.5
800	32	1025	40.4	1107	43.6
900	36	1125	44.3	1207	47.5
1000	40	1225	48.2	1322	52.0
1200	48	1255	49.4	1551	61.1
1400	–	1685	66.3	1763	69.4
1600	–	1930	76.0	1986	78.2
1800	72	2130	83.9	2193	86.3
2000	78	2345	92.3	2411	94.9

**Sensor remote version Promag L 400, L 800**

*Order code for "Sensor options", option CK with DN 350 to 2000 (14 to 78")*



A0018156

DN		Dimension B		Dimension F	
		EN (DIN) PN 16		EN (DIN) PN 16	
[mm]	[in]	[mm]	[in]	[mm]	[in]
350	14	520	20.5	611	24.1
400	16	580	22.8	667	26.3
450	18	640	25.2	724	28.5
500	20	715	28.1	786	30.9
600	24	840	33.1	898	35.4
700	28	910	35.8	1004	39.5
800	32	1025	40.4	1118	44.0
900	36	1125	44.3	1218	48.0
1000	40	1225	48.2	1333	52.5
1200	48	1255	49.4	1562	61.5
1400	–	1685	66.3	1774	69.8
1600	–	1930	76.0	1997	78.6
1800	72	2130	83.9	2204	86.8
2000	78	2345	92.3	2422	95.4



**Weight**

**Compact version**

Weight data:

- Including the transmitter:
  - Promag 10L: 1.80 kg
  - Promag 50L: 3.40 kg
  - Promag L 400: 1.15 kg
  - Promag L 800: 1.50 kg
- Excluding packaging material

*Weight in SI units*

DN [mm]	Pressure rating	EN (DIN)			
		Promag 10L [kg]	Promag 50L [kg]	Promag L 400 [kg]	Promag L 800 [kg]
350	PN 16	106	107	105	105
400	PN 16	124	125	123	123
450	PN 16	141	142	140	140
500	PN 16	181	182	180	180
600	PN 16	226	227	225	225
700	PN 16	290	291	289	–
800	PN 16	352	353	351	–
900	PN 16	443	444	442	–
1000	PN 16	565	566	564	–
1200	PN 16	842	843	841	–
1400	PN 16	1202	1204	1202	–
1600	PN 16	1843	1845	1843	–
1800	PN 16	2355	2357	2355	–
2000	PN 16	2927	2929	2927	–

**Remote version sensor**

Weight data:

- Not including the transmitter housing:
  - Promag 10L: 3.10 kg
  - Promag 50L: 6.00 kg
  - Promag L 400: 1.15 kg
  - Promag L 800: 1.50 kg
- Excluding the connecting cable
- Excluding packaging material

*Weight in SI units*

DN [mm]	Pressure rating	EN (DIN)			
		Promag 10L [kg]	Promag 50L [kg]	Promag L 400 [kg]	Promag L 800 [kg]
350	PN 16	103	103	103	103
400	PN 16	121	121	121	121
450	PN 16	138	138	138	138
500	PN 16	178	178	178	178
600	PN 16	223	223	223	223
700	PN 16	287	287	287	–
800	PN 16	349	349	349	–
900	PN 16	440	440	440	–
1000	PN 16	562	562	562	–
1200	PN 16	839	839	839	–
1400	PN 16	1199	1199	1199	–
1600	PN 16	1840	1840	1840	–
1800	PN 16	2352	2352	2352	–
2000	PN 16	2924	2924	2924	–





---

[www.endress.com/worldwide](http://www.endress.com/worldwide)

---

**Endress+Hauser**   
People for Process Automation

---