

## Performance Characteristics

Maximum measured error (Pt100 / IEC 60751)

Class	max. Tolerances (°C)
A	$\pm (0.15 + 0.002 \cdot  t ^*)$ , temperature range: -100 °C to 450 °C
B	$\pm (0.3 + 0.005 \cdot  t ^*)$ , temperature range: -200 °C to 600 °C

\*  $|t|$  = absolute value °C. For measurement errors in °F, calculate using equation above in °C, then multiply the outcome by 1.8.

**Insulation resistance** Insulation resistance between terminals and probe sheath, test voltage 250 V.

- $\geq 100 \text{ M}\Omega$  at 77 °F (25 °C)
- $\geq 10 \text{ M}\Omega$  at 572 °F (300 °C)

## Supplementary documentation

All important Temperature Operating Instructions, particularly with regard to head and field transmitters are available on CD-ROM, find enclosed or order by order number: **SONDTT-AG**.

www.addresses.endress.com

Endress+Hauser   
People for Process Automation

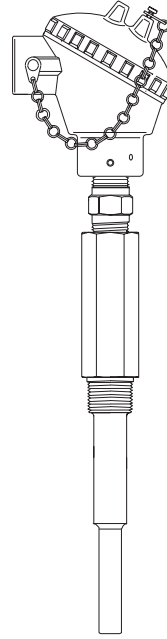
KA00190R/24/EN/06.12  
71203025

Products

Solutions

Services

## Compact Instructions RTD Assembly in Thermowell TH13



### Measuring System

RTD assembly provided with thermowells and connection head TH13 for heavy industries process applications. The Pt100 RTD is specifically designed for use in two different process temperature ranges (low range RTD -58 °F to 392 °F; high range RTD -328 °F to 1112 °F).

## Important Notice

**CAUTION**

Electrical shock could cause death or serious injury. If the sensor is installed in a high voltage environment and a fault or installation error occurs, high voltage may be present on the connection terminals or the probe itself.

Safe and secure operation of the temperature sensor can only be guaranteed if the operating instructions of the used transmitters and all included safety notes are read, understood and followed. For Endress+Hauser temperature transmitters see enclosed CD-ROM.

### Correct use

The manufacturer cannot be held responsible for damage caused by misuse of the unit. The installation conditions and connection values indicated in the operating instructions must be followed!

## Installation Guidelines and Safety Instructions

1. Install the unit according to the relevant NEC Code and local regulations.

2. Avoid any spark due to impact, friction and installation. Anti-sparking wrenches should be utilized.

3. The temperature sensor should be connected to the power supply or other external circuit using the appropriate cable glands and wire entries.

4. For ambient temperature higher than 158 °F, suitable cables, conduit and conductors must be used. Only use approved wire entries.

5. When utilized in dust atmospheres, the connection between the housing, fittings and thermowell should provide a minimum degree of ingress protection. Liquid/gas sealants should be used. Local regulations need to be respected.

**CAUTION**

Do not disconnect equipment unless power has been switched off or the area is not hazardous.

Endress+Hauser   
People for Process Automation

specifications without notice.

Though the information provided herein is believed to be accurate, be advised that the information contained herein is NOT a guarantee of satisfactory results. Specifically, this information is neither a warranty nor guarantee, expressed or implied, regarding performance, merchantability, fitness, or other matter with respect to the products; and recommendation for the use of the product/process information in conflict with any patent. Please note that Endress+Hauser reserves the right to change and/or improve the product design and specifications without notice.

carried out properly.

Caution draw attention to activities or procedures that can lead to persons being seriously injured, to safety risks or to the destruction of the device if they are not carried out properly.

**CAUTION**

Notes draw attention to activities or procedures that can have a direct influence on operation or trigger an unforeseen device reaction if they are not carried out properly.



### Safety pictograms and symbols

Returns Please follow the Return Authorization Policy which is attached with this manual.

followed.

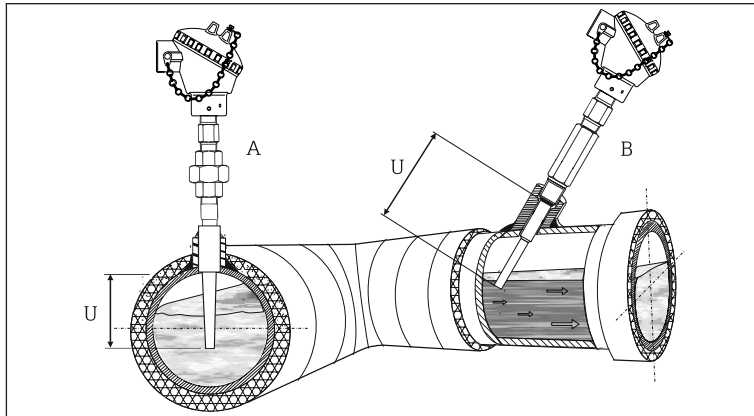
The unit is constructed using the most up to date production equipment and complies with the safety requirements of the local guidelines. However, if it is installed incorrectly or misused, certain application dangers can occur. Installation, wiring and maintenance of the unit must only be completed by trained, skilled personnel who are authorized to do so by the plant operator. The plant operator must make sure that the measurement system has been correctly wired to the connection schematics. Procedures indicated in these instructions must be followed.

### Installation and operation

The accessories for pipe connections and the appropriate gaskets and sealing rings are not supplied with the sensors. These are the customer's responsibility. Depending on temperature and pressure operating conditions, the gaskets, the sealing and the applicable torques must be selected by the user. For further information regarding connections, please refer to the corresponding Standards.

## Installation

### Installation locations



Examples of pipe installation. In pipes of a small section the axis line of the duct must be reached and if possible slightly exceeded by the tip of the probe (=U).

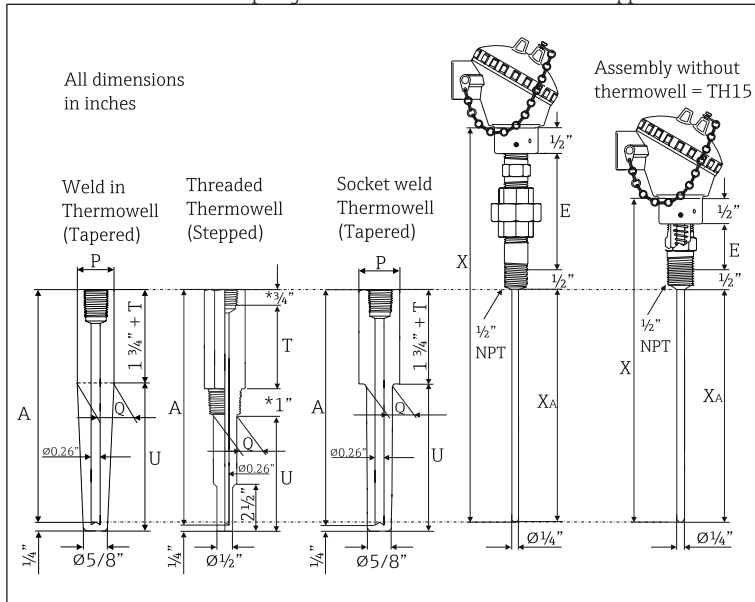
- A: Socket weld installation  
B: Threaded, tilted installation

For installation proceed as follows:

1. Attach thermowell to pipe (see A and B) or process container wall. Install and tighten the Thermowell before applying process pressure.
  2. Make sure that the process fitting matches the maximum specified process pressure.
  3. Seal the extension nipples with TFE tape before screwing the sensor into the thermowell.
  4. Thermowells are used in measuring the temperature of a moving fluid in a conduit, where the stream exerts an appreciable force. The limiting value for the thermowells is governed by the temperature, the pressure and the speed of the medium, the immersion length, the materials of the thermowell and the medium, etc.
- For operating conditions, a stress calculation should be carried out.

## Dimensions

for TH13 assemblies with spring loaded insert and self contained nipple.



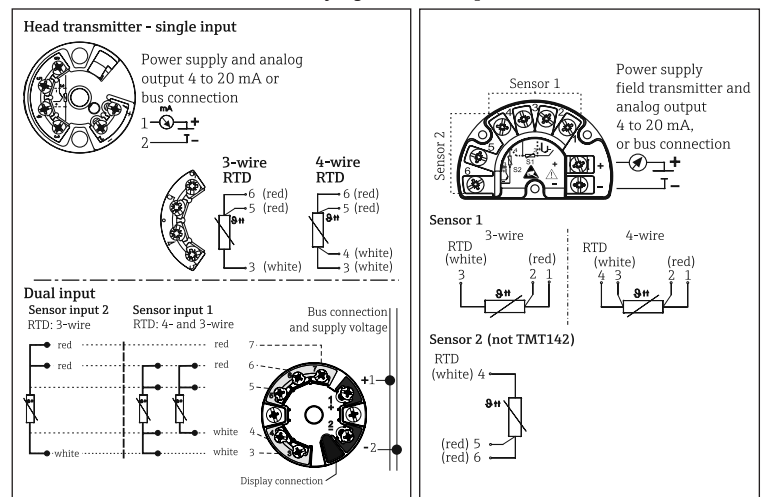
\*For wells with 1/2" NPT - 1" Process thread length and 3/4" Hex length dimensions are reversed.

- U = Thermowell Immersion length (see table)  
E = Extension (see table)  
Q = Thermowell diameter  
T = Lag dimension (3" or specified length 1" to 6" in 1/2" increments)  
X<sub>A</sub> = A = Immersion length RTD sensor, thermowell drilled depth (A = U + 1 1/2" + T)  
X = Insert overall length (X = A + E)  
P = Pipe size (Nom. 3/4"; Dia. = 1.050" - Nom. 1"; Dia. = 1.315")

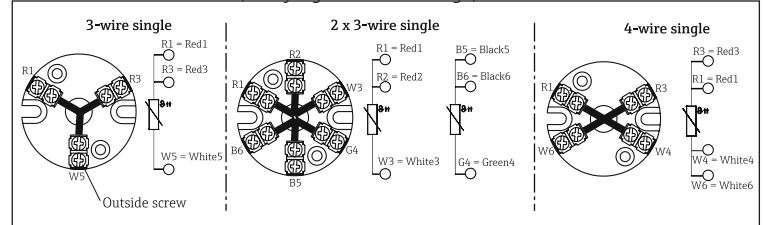
For spare part insert, TU111, please contact Endress+Hauser!

## Electrical connection-wiring diagrams

Transmitter mounted (3" or 5 1/2" flying leads - crimped sleeves)



Terminal block mounted (3" flying leads - fork lugs)



The blocks and transmitters are shown as they will sit inside the heads in reference to the conduit opening. ALWAYS terminate leads to the outside screw!

U	E (nom. dimension)	Process connection	Shape of Thermowell	ØQ
2 1/2", 4 1/2", 7 1/2", 10 1/2"; specified length 2" to 18" in 1/2" increments	Hex nipple = 1" or Nipple Union Nipple (NUN) = 4" or 7" Material: Steel or 316SS	1/2" NPT	Stepped (Standard duty) Tapered (Heavy duty)	5/8" 11/16"
		3/4" NPT	Stepped (Standard duty) Tapered (Heavy duty)	3/4" 7/8"
		1" NPT	Stepped (Standard duty) Tapered (Heavy duty)	7/8" 1 1/16"
		3/4" Socket weld	Stepped (Standard duty) Tapered (Heavy duty)	3/4" 3/4"
		1" Socket weld	Stepped (Standard duty) Tapered (Heavy duty)	7/8" 1"
		3/4" weld in	Tapered (Heavy duty)	1.050"
		1" weld in	Tapered (Heavy duty)	1.315"

Wire specifications 24AWG, 19 strand silver plated copper with 0.010" TFE extruded outer

Recommended minimum immersion for thermowell:

Stepped TW = 2 1/2"	Tapered TW = 4 1/2"	Weld in TW = 4 1/2"
---------------------	---------------------	---------------------

## Technical data

- Weight From 1 to 10 lbs  
Material Wetted parts 316 SS  
Shock and vibration resistance 4g/2 to 150 Hz as per IEC 60 068-2-6  
Ambient temperature limits\*

Housing without head-mounted transmitter	
Aluminium pressure die-cast housing	-40 to 300 °F (-40 to 150 °C)
Plastic housing	-40 to 185 °F (-40 to 85 °C)
Deep drawn SS housing without display	-40 to 300 °F (-40 to 150 °C)
Housing with head-mounted transmitter	-40 to 185 °F (-40 to 85 °C)
Deep drawn SS housing with display	-4 to 160 °F (-20 to 70 °C)
Field transmitter	
with display	-40 to 158 °F (-40 to 70 °C)
without display	-40 to 185 °F (-40 to 85 °C)

\*For hazardous areas refer to the transmitter control drawing