



Füllstand



Druck



Durchfluss



Temperatur



Flüssigkeits-
analyse



Registrierung



Systeme
Komponenten



Services



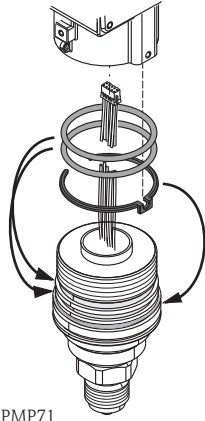
Solutions

Montage Set für Cerabar S, Deltabar S, Deltapilot S mit Aluminiumgehäuse T14, T15

Cerabar S
PMC71, PMP71/72/75

Deltabar S
PMD70, FMD76

Deltapilot S
FMB70

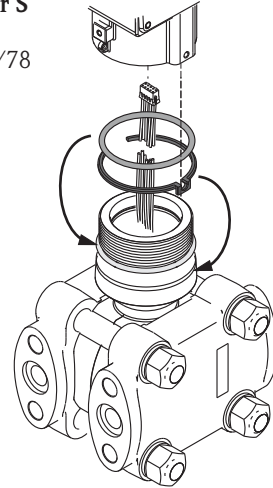


Sensor
im Beispiel: PMP71

Montage Set, Teile-Nr. 52020440

2 x O-Ring 45,69 x 2,62 EPDM
1 x Verdrehsicherung

Deltabar S
PMD75
FMD77/78



Sensor
im Beispiel: PMD 75

EA01016P/00/A2/01.12
71188224



71188224

Endress+Hauser

People for Process Automation



Füllstand



Druck



Durchfluss



Temperatur



Flüssigkeits-
analyse



Registrierung



Systeme
Komponenten



Services



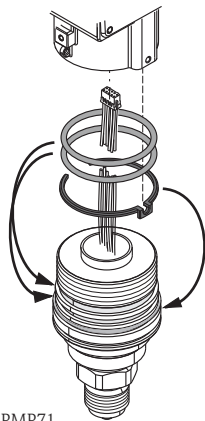
Solutions

Montage Set für Cerabar S, Deltabar S, Deltapilot S mit Aluminiumgehäuse T14, T15

Cerabar S
PMC71, PMP71/72/75

Deltabar S
PMD70, FMD76

Deltapilot S
FMB70

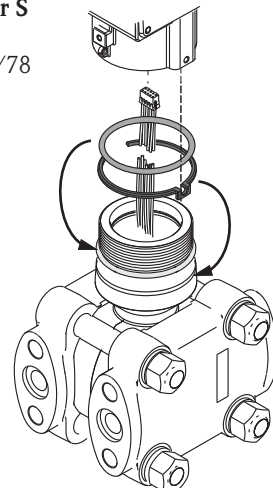


Sensor
im Beispiel: PMP71

Montage Set, Teile-Nr. 52020440

2 x O-Ring 45,69 x 2,62 EPDM
1 x Verdrehsicherung

Deltabar S
PMD75
FMD77/78



Sensor
im Beispiel: PMD 75

EA01016P/00/A2/01.12
71188224



71188224

Endress+Hauser

People for Process Automation



Level



Pressure



Flow



Temperature



Liquid Analysis



Registration



Systems Components



Services



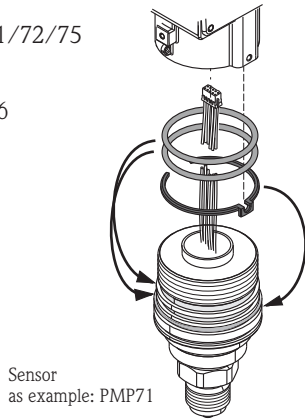
Solutions

Mounting set for Cerabar S, Deltabar S, Deltapilot S with aluminum housing T14, T15

Cerabar S
PMC71, PMP71/72/75

Deltabar S
PMD70, FMD76

Deltapilot S
FMB70

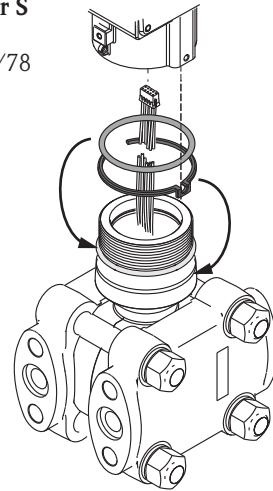


Sensor
as example: PMP71

Mounting set, order No. 52020440

2 x O-ring 45.69 x 2.62 EPDM
1 x retaining ring, plastic

Deltabar S
PMD75
FMD77/78



Sensor
as example: PMD75

EA01016P/00/A2/01.12
71188224

Endress+Hauser

People for Process Automation



Level



Pressure



Flow



Temperature



Liquid Analysis



Registration



Systems Components



Services



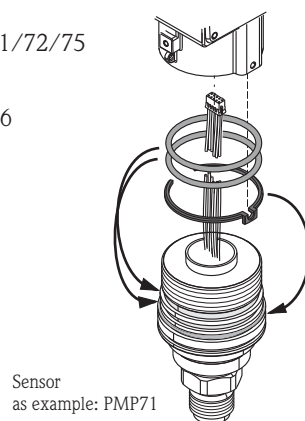
Solutions

Mounting set for Cerabar S, Deltabar S, Deltapilot S with aluminum housing T14, T15

Cerabar S
PMC71, PMP71/72/75

Deltabar S
PMD70, FMD76

Deltapilot S
FMB70

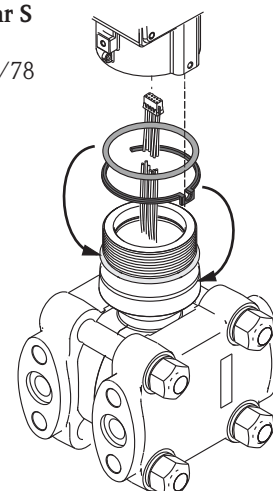


Sensor
as example: PMP71

Mounting set, order No. 52020440

2 x O-ring 45.69 x 2.62 EPDM
1 x retaining ring, plastic

Deltabar S
PMD75
FMD77/78



Sensor
as example: PMD75

EA01016P/00/A2/01.12
71188224

Endress+Hauser

People for Process Automation