



Füllstand



Druck



Durchfluss



Temperatur



Flüssigkeits-
analyse



Registrierung



Systeme
Komponenten



Services



Solutions

Dichtungsset für Strahlenschutzbehälter

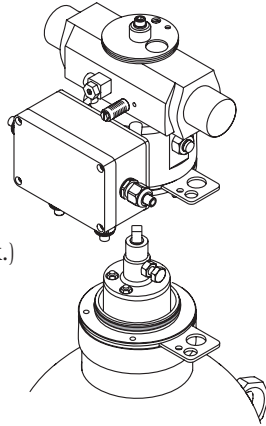
FQG6x - #K..., FQG6x - #L..., FQG6x - #M..., FQG6x - #N...

Bei einem Strahleraustausch sind alle O-Ringe des Strahlenschutzbehälters zu prüfen und gegebenenfalls auszutauschen.

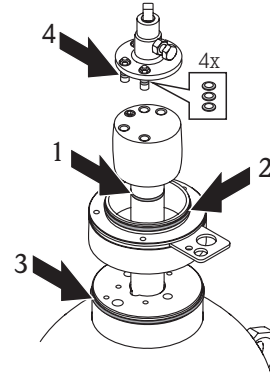
Bestell-Nummer: 71099270

Bestehend aus:

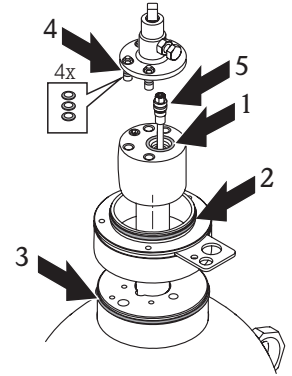
1. O-Ring 23,40 x 3,53 Viton
2. O-Ring 70,00 x 2,00 Viton
3. O-Ring 91,67 x 3,53 Viton
4. O-Ring 6,02 x 2,62 EPDM (12 Stk.)
5. O-Ring 15,60 x 1,78 Viton
(nur für FQG6x - # M/N...)



FQG6x - #K/L...



FQG6x - #M/N...



EA0023F/00/-A2/12.10
71107073
Ausgabe/revision: 2



71107073

Endress+Hauser



People for Process Automation



Füllstand



Druck



Durchfluss



Temperatur



Flüssigkeits-
analyse



Registrierung



Systeme
Komponenten



Services



Solutions

Dichtungsset für Strahlenschutzbehälter FQG61, FQG62

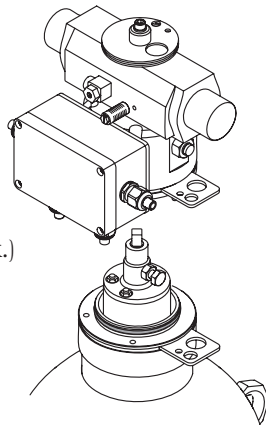
FQG6x - #K..., FQG6x - #L..., FQG6x - #M..., FQG6x - #N...

Bei einem Strahleraustausch sind alle O-Ringe des Strahlenschutzbehälters zu prüfen und gegebenenfalls auszutauschen.

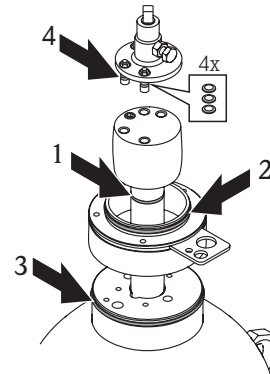
Bestell-Nummer: 71099270

Bestehend aus:

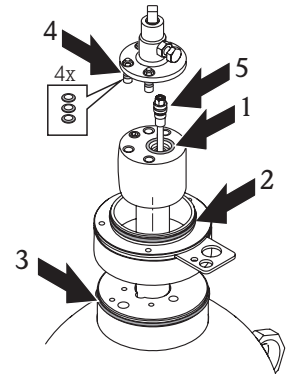
1. O-Ring 23,40 x 3,53 Viton
2. O-Ring 70,00 x 2,00 Viton
3. O-Ring 91,67 x 3,53 Viton
4. O-Ring 6,02 x 2,62 EPDM (12 Stk.)
5. O-Ring 15,60 x 1,78 Viton
(nur für FQG6x - # M/N...)



FQG6x - #K/L...



FQG6x - #M/N...



EA0023F/00/a2/12.10
71107073
Ausgabe/revision: 2



71107073

Endress+Hauser



People for Process Automation



Level



Pressure



Flow



Temperature



Liquid
Analysis



Registration



Systems
Components



Services



Solutions

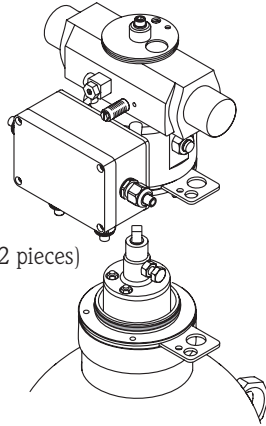
Sealing kit for source container FQG61, FQG62 FQG6x - #K..., FQG6x - #L..., FQG6x - #M..., FQG6x - #N...

When exchanging the source, all O-rings of the radiation source container must be checked and changed if necessary.

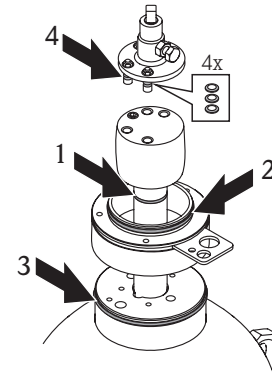
Order number: 71099269

Consists of:

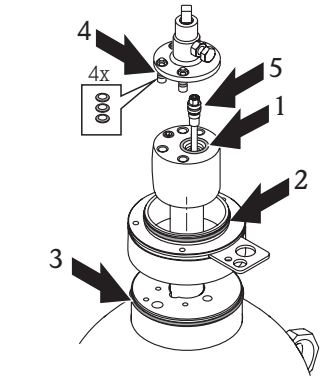
1. O-ring 23.40 x 3.53 Viton
2. O-ring 70.00 x 2.00 Viton
3. O-ring 91.67 x 3.53 Viton
4. O-ring 6.02 x 2.62 EPDM (12 pieces)
5. O-ring 15.60 x 1.78 Viton
(only for FQG6x - #M/N...)



FQG6x - #K/L...



FQG6x - #M/N...



EA0023F/00/A2/12.10
71107073
Revision: 2

Endress+Hauser

People for Process Automation



Level



Pressure



Flow



Temperature



Liquid
Analysis



Registration



Systems
Components



Services



Solutions

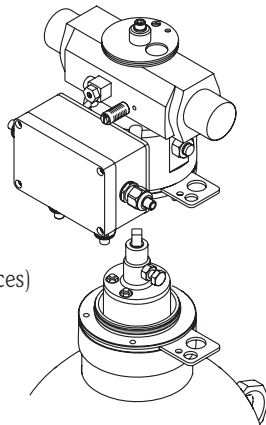
Sealing kit for source container FQG61, FQG62 FQG6x - #K..., FQG6x - #L..., FQG6x - #M..., FQG6x - #N...

When exchanging the source, all O-rings of the radiation source container must be checked and changed if necessary.

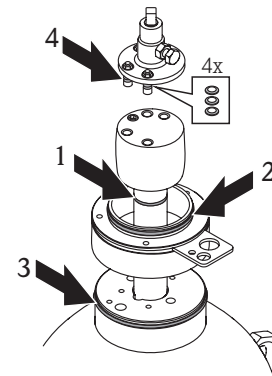
Order number: 71099269

Consists of:

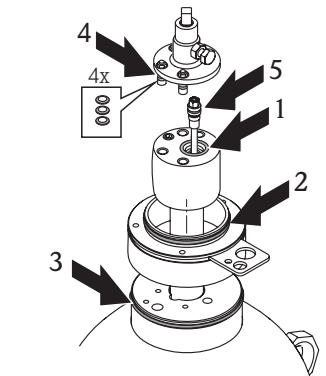
1. O-ring 23.40 x 3.53 Viton
2. O-ring 70.00 x 2.00 Viton
3. O-ring 91.67 x 3.53 Viton
4. O-ring 6.02 x 2.62 EPDM (12 pieces)
5. O-ring 15.60 x 1.78 Viton
(only for FQG6x - #M/N...)



FQG6x - #K/L...



FQG6x - #M/N...



EA0023F/00/A2/12.10
71107073
Revision: 2

Endress+Hauser

People for Process Automation