

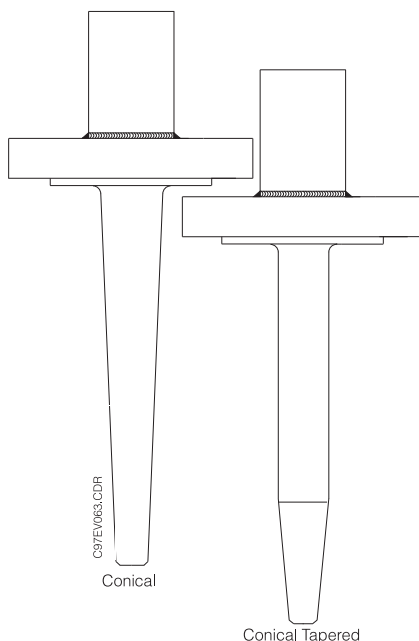
Industrial Protecting Tube *omnigrad TA575*

Heavy duty - General purpose

From round bar stock

Flanged weld type - $\varnothing 34 \div 30$ mm

Also Dow Chemical G6D-7002-00



Description

TA575 is an industry standard thermowell, manufactured from round bar stock.

The process connection is flanged, seal welded or full penetration.

The thermowell stem shape can be straight, conical or conical tapered.

The extension, the immersion and the tapering lengths as well as the bar dimensions can be chosen according to process requirements.

A wide choice of standard materials and flanged connections is available; other versions can be ordered according to specification.

Different grades of flange finishing are also available.

Application

TA575 is designed for use with resistance and thermocouple thermometers mainly in heavy duty applications.

Technical data

Round bar

Standard reference:	Dow Chemical G6D-7002-00 (1995)
Extension O.D.:	$34 \div 30$ mm
Immersion O.D.:	\leq extension O.D.
Standard extension length:	75 mm
Standard bore diameter:	7 mm
Standard material:	AISI316Ti, AISI316, AISI316L

Connection to thermometer

Threaded: 1/2" NPT, 1/2"NPSM

Process connection

Type:	flanged weld
Flange type:	ANSI blind, DIN 2527/2526 Form C, UNI 6000
Flange material:	AISI 316, A 105
Flange mounting:	double side standard weld or full penetration weld

Tip

Bottom shape:	straight, conical or conical tapered
Bottom thickness:	6 mm

Surface

Finishing: refer to the order key



Order key

**TA575- Heavy duty thermowell - General purpose - From round bar stock
Flanged weld type - $\varnothing 34 \div 30$ mm - Also Dow Chemical G6D-7002-00 (1995)**

Thermowell style

- A - Flanged, full penetration weld
- B - Flanged, standard weld

Extension T / Extension outside \varnothing [4]

Outside diam. Q1 / Taper diam. Q2

Taper length R / Thermometer connection S

- 1 - T = 75 mm \ \varnothing = 32 mm
Q1 = 27 mm \ Q2 = 18 mm
R = none \ S = 1/2" NPT
- 2 - T = 75 mm \ \varnothing = 32 mm
Q1 = 27 mm \ Q2 = 18 mm
R = none \ S = 1/2" NPSM (Dow spc.G6D-7002-00 std.) [2]
- 9 - T = \ \varnothing =
Q1 = \ Q2 =
R = \ S =(to specification) [3]

Immersion length U (50 \div 925 mm)

- UA -150 mm (Dow std.)
- UB -225 mm (Dow std.)
- YY - mm length to specification

Material of Nominal Length A (U+T)

- B -AISI 316 Ti - W 1.4571
- C -AISI 316 - W 1.4401
- D -AISI 316 L - W 1.4404
- Y -Material to specification

Finishing of immersion length U

- 1 - 0.8 micron standard
- 2 - 0.2 micron

Flange type / material

See next page

Flange finishing

- 2 - Standard for ASME/ANSI
- 5 - Rz 160 DIN2526
- 6 - Smooth (125 AARH) for UNI
- 9 - On request

Bore diameter F/Bottom thickness D

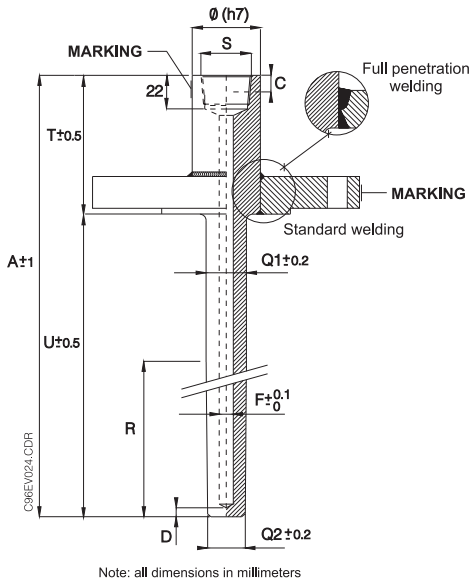
- 2 - F = 7 mm / D = 6 mm (Dow std.)
- 9 - F = ... mm / D = ... mm to specification [3]

Plug and chain

- A - Without plug and chain
- B - AISI 304 plug and chain

Markings

- 0 - None
- 1 - Punched on



Connection to thermometer	
Thread	Engagement length C
1/2" NPT	8 mm
1/2" NPSM	22 mm

Table A

TA575- Complete Order Code

- Notes:
- [1] Also covering ANSI 900 pressure rating
 - [2] NPSM internal pipe thread will accept both NPT and NPS male thread. Thermowell thread shall be protected with 1/2" plastic plug (Dow Chemical).
 - [3] Wall thickness 3 mm minimum (Q2 - F) / 2 \leq 3 mm
 - [4] Nominal Length A: 125 \div 1000 mm

Order key (continued)

Flange type / material

ANSI type

AB - Blind 1" ANSI 150 RF - AISI 316
AC - Blind 1" ANSI 150 RF - A 105
AD - Blind 1" ANSI 300 RF - AISI 316
AE - Blind 1" ANSI 300 RF - A 105
AF - Blind 1" ANSI 600 RF - AISI 316
AG - Blind 1" ANSI 600 RF - A 105
AH - Blind 1 1/2" ANSI 150 RF - AISI 316
AJ - Blind 1 1/2" ANSI 150 RF - A 105
AK - Blind 1 1/2" ANSI 300 RF - AISI 316
AL - Blind 1 1/2" ANSI 300 RF - A 105
BE - Blind 1 1/2" ANSI 300 RTJ - AISI 316
BF - Blind 1 1/2" ANSI 300 RTJ - A 105
AM - Blind 1 1/2" ANSI 600 RF - AISI 316
AN - Blind 1 1/2" ANSI 600 RF - A 105
AP - Blind 1 1/2" ANSI 600 RTJ - AISI 316
AQ - Blind 1 1/2" ANSI 600 RTJ - A 105
AR - Blind 1 1/2" ANSI 1500 RF - AISI 316 [1]
AS - Blind 1 1/2" ANSI 1500 RF - A 105 [1]
AV - Blind 2" ANSI 300 RF - AISI 316
AW - Blind 2" ANSI 300 RF - A 105
AX - Blind 2" ANSI 300 RTJ - AISI 316
AZ - Blind 2" ANSI 300 RTJ - A 105
BA - Blind 2" ANSI 600 RF - AISI 316
BB - Blind 2" ANSI 600 RF - A 105
BC - Blind 2" ANSI 600 RTJ - AISI 316
BD - Blind 2" ANSI 600 RTJ - A 105

DIN type

EA - DN25PN10 or 16 DIN2527/2526 Form C / AISI 316
EB - DN25PN10 or 16 DIN2527/2526 Form C / A 105
EC - DN25PN25 or 40 DIN2527/2526 Form C / AISI 316
ED - DN25PN25 or 40 DIN2527/2526 Form C / A 105
EE - DN40PN25 or 40 DIN2527/2526 Form C / AISI 316
EF - DN40PN25 or 40 DIN2527/2526 Form C / A 105
EG - DN50PN25 or 40 DIN2527/2526 Form C / AISI 316
EH - DN50PN25 or 40 DIN2527/2526 Form C / A 105

UNI type

GA - DN25PN10 or 16 UNI6092/29-6093/29 / AISI 316
GB - DN25PN10 or 16 UNI6092/29-6093/29 / A 105
GC - DN25PN25 or 40 UNI6094/29-6095/29 / AISI 316
GD - DN25PN25 or 40 UNI6094/29-6095/29 / A 105
GE - DN40PN25 or 40 UNI6094/29-6095/29 / AISI 316
GF - DN40PN25 or 40 UNI6094/29-6095/29 / A 105
GG - DN50PN25 or 40 UNI6094/29-6095/29 / AISI 316
GH - DN50PN25 or 40 UNI6094/29-6095/29 / A 105

YY - Flange type / material to specification



Product designation for flange type / material

Supplementary Documentation

- Industrial Protecting Tubes
Technical Information TI138T/02/en

Export Division

Endress+Hauser
GmbH+Co.
Instruments International
P.O. Box 2222
D-79574 Weil am Rhein
Germany

Tel. (07621) 975-02
Tx 773926
Fax (07621) 975 345

