



Level



Pressure



Flow



Temperature

Liquid
Analysis

Registration

Systems
Components

Services



Solutions

Technical Information

Omnigrad S TC63

Thermocouple thermometer EEx-d certified, replaceable insert, pipe thermowell, process connection threaded, flanged or sliding.
PCP (4...20 mA), HART® or PROFIBUS-PA® electronics



Range of uses

The Omnigrad S TC63 is an industrial thermometer (thermocouple TC: K or J) a neck and a thermowell from pipe.

It is developed for the use in the chemical, petrochemical and energy industries, but suitable also for other generic applications.

In compliance to EN 50014/18/20 (ATEX certification) it is therefore particularly suitable also for hazardous areas.

When required, it's also available with a transmitter

(PCP, HART® or PROFIBUS-PA®) into the housing.

The process connection of the thermowell is threaded or flanged in compliance to the standard of process requirements.

Application areas

- Chemicals industry
- Energy industry
- Gas Processing industry
- Petrochemical industry
- General industrial services

Features and benefits

- Several types of process connection
- Several type of materials available for the thermowells
- Customized immersion length
- Aluminium housing, with protection grade from IP66 to IP68
- Thermocouple with hot junction grounded or ungrounded in mineral oxide cable (MgO cable) diameter: 3 or 6 mm
- PCP, HART® and PROFIBUS-PA®, (4...20 mA 2-wire transmitters)
- The accuracy of the thermocouple TC (K (NiCr-Ni) and J (Fe-CuNi)) are: Cl. 1 - 2 (EN 60584) or Cl. Special - Standard (ANSI MC96.1)
- The thermocouple TC (K or J) are available in single or double element
- ATEX II 2 GD EEx-d IIC certification
- ATEX II 1/2 GD EEx d IIC certification



Function and system design

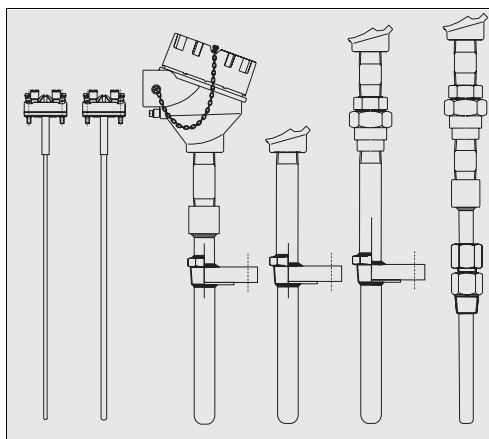
Measuring principle

The thermocouple (TC) thermometer's sensing element consists of two metal wires that are homogeneous but different one from the other and insulated along their entire length. The two wires are welded together at one end, known as the "measurement or hot junction". The other end, where the wires are free, is known as the "cold or reference junction" and is connected to a electromotive force measurement circuit where the force is generated by the different thermoelectric power of each of the thermocouple's wires if there is a temperature difference between the hot joint (T1) and the cold joint (Seebeck effect). The cold junction has to be "compensated" with reference to the temperature of 0°C (T0). The function that links the electromotive force to the temperatures T1 and T0 is a curve whose characteristics depend on the materials used in the construction of the thermocouple. Some thermocouples curves, and particularly those most reliable for the purposes of industrial readings, are those compliant with standards DIN EN 60584 and ANSI MC96.1.

Equipment architecture

The construction of the TC63 temperature sensor is based on the following standards:

- EN 50014/18 (housing)
- Neck (with nipple and "3 union")
- EN 60584 (insert)..
- Pipe thermowells standard like: ENI, MONTEDISON, ENEL, ecc.



The housing is in painted aluminium alloy; it is suitable to contain a transmitter and/or the ceramic block of the insert; the "Ingress Protection" is from IP66 to IP68.

The neck composed by one or two nipple and one "3 union", standard or EEx- execution, it is the extension between the head and the thermowell.

The hot junction of the thermocouple (type K or J) are positioned close to the tip of the probe. The thermocouple is available in two versions: grounded or ungrounded hot junction. The electrical structure of the thermocouple always complies with EN 60584/61515 or ANSI MC96.1/ASTM E585 standard rules.

The thermowell is from pipe, with wetted part, straight or tapered. The process connection on the thermowell is: threaded or flanged, in some case it can be to sliding also.

Fig. 1: TC63 with the various types of process connections and end parts of the probe

Material & Weight

Housing	Insert	Neck	Thermowell	Weight
aluminium epoxy coated	sheath in SS 316L/1.4404 Inconel® 600/2.4816.	nipple and 3 union: SS 316/1.4401, A105	thermowells: SS 316/1.4401, SS 446/1.4749 Inconel® 600/2.4816.	From 1.5 to 5.0 kg for standard options

Performance

Operating conditions

Operating condition or test	Product type or rules	Value or data of test	
Ambient temperature	housing (without head-mounted transmitter)	-40÷130°C	
	housing (with head-mounted transmitter)	-40÷85°C	
Process temperature	It is restricted by the thermowell material:	< 600°C	SS 316L/1.4404
		< 800°C	SS 316Ti/1.4571
		< 1100°C	Hast.® C276/2.4819 - Inc.600®/2.4816
Shock and vibration resistance test	TC Inset in according to the rule IEC 60751:	Acceleration	3 g of peak
		Frequency	from 10Hz to 500Hz and back
		Time test	10 hours

Accuracy

Thermocouple and range °C	ANSI MC96.1				
	Class	Max deviation	Class	Max deviation	Cable colors
J (Fe-CuNi) 0 ...750°C	Standard	+/-2.2°C (0...293°C) +/-0.75% (293...750°C)	Special	+/-1.1°C (0...275°C) +/-0.4% (275...750°C)	+ black - red
K (NiCr-Ni) 0...1250°C	Standard	+/-2.2°C (0...293°C) +/-0.75% (293...1250°C)	Special	+/-1.1°C (0...275°C) +/-0.4% (275...1250°C)	+ yellow - red

|t| = absolute temperature value in °C

Thermocouple and range °C	EN 60584				
	Class	Max deviation	Class	Max deviation	Cable colors
J (Fe-CuNi) -40° ... 750°C	2	+/-2.5°C (-40...333°C) +/-0.0075 t (333...750°C)	1	+/-1.5°C (-40...375°C) +/-0.004 t (375...750°C)	+ black - white
K (NiCr-Ni) -40 ... 1200°C	2	+/-2.5°C (-40...333°C) +/-0.0075 t (333...1200°C)	1	+/-1.5°C (-40...375°C) +/-0.004 t (375...1000°C)	+ green - white

|t| = absolute temperature value in °C

Others errors	
Transmitter maximum error	See the corresponding documentation (codes at the end of the document)
Display maximum error	0.1% FSR + 1 digit (FSR = Full Scale Range)

Response time

Tests, with the TC insert, in water at 0.4 m/s (according to IEC 60751) from 23 to 33°C:

Stem diameter of the insert	Sensing element type	Temperature of test	Response time
SS 316 - d. 6 mm	K (NiCr-Ni), J (Fe-CuNi)	t ₅₀	2,5 s
		t ₉₀	7,0 s

Insulation

Measurement Insulation type	Result
Insulation resistance between terminals and probe sheath according to EN 60584, test voltage 500 V	> 1 GΩ at 25°C > 5 MΩ at 500°C

Self heating

Negligible when the E+H iTEMP® transmitters are employed.

Installation

The TC63 can be installed on pipes or tanks by means of threaded or flanged connections. The counterparts for process connections and gaskets, when required, are not supplied with the sensor and must be purchased separately by the user. The immersion length must take into account all the parameters of the thermometer and the process to measure. If the immersion is too low, an error may be generated in the temperature recorded due to the lower temperature of the process fluid near to the walls and heat transfer, which takes place through the sensor stem. The incidence of such an error can be not negligible if there is a big difference between the process temperature and the ambient temperature. To prevent measuring errors of this kind, it is advisable to use thermowells with a small diameter and an immersion length (L) of at least 100÷150 mm. In small section ducts the tubing's axis must be reached and preferably slightly exceeded by the tip of the probe (see fig. 2A-2C). Insulation of the outer part of the sensor reduces the effect produced by a low immersion. Alternatively, it is also possible to adopt a tilted installation (see fig. 2B-2D).

For a best installation, in the industries, it's better to follow the rule: $h \approx d$, $L > D/2 + h$. As far as corrosion is concerned, the base material for parts in contact with the fluid is able to withstand the most common corrosive agents up to the highest temperatures. Even the nipples and 3 elements coupling supplied with the connection fitting of the instrument are able to withstand a wide range of aggressive substances. With regard to corrosion, the base material of the wetted parts (SS 316L, SS 316Ti, Hastelloy® C276 or Inconel®600) can tolerate the common corrosive media right up to even the highest temperatures.

For further information on specific applications, contact the E+H Customer Service Department.

Disassembled components of the sensors must be reassembled with the recommended clamping torques in order to ensure the appropriate IP protection class within the sensor-housing coupling.

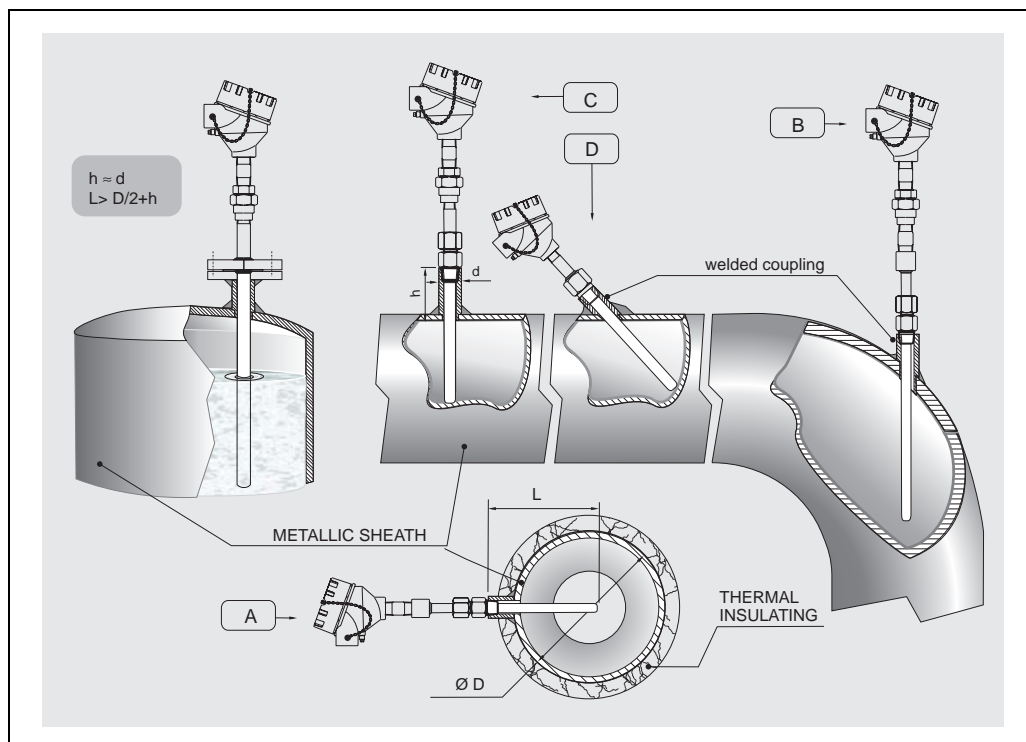


Fig. 2: Installation examples

System components

Housing

The protection housing, our "TA21H", commonly referred to the "connection head", is used to contain and protect the terminal block or the transmitter and to join the electric connections to the mechanical component.

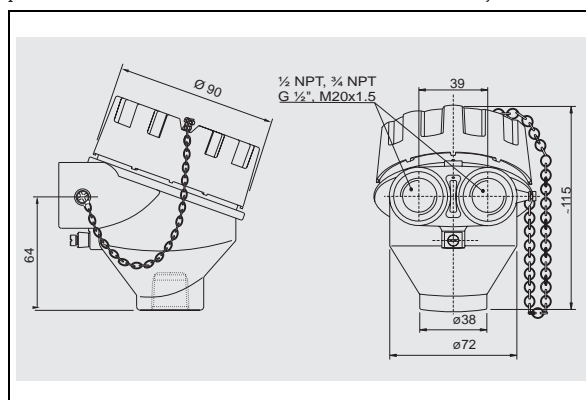


Fig. 3: Housing TA21H

The TA21H used for the TC66 is compliant with EN 50014/18 and EN 50281-1-1, EN 50281-1-2 standards (Ex-d certification for explosion proof type of protection).

The matching of the head with the extension below the head and the cover (threaded) ensures a degree of protection from IP66 to IP68.

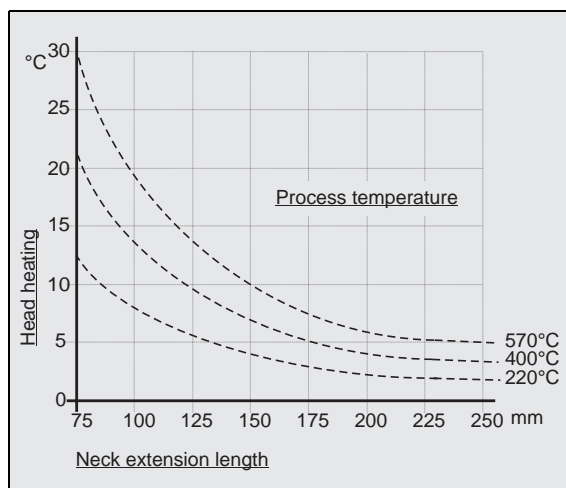
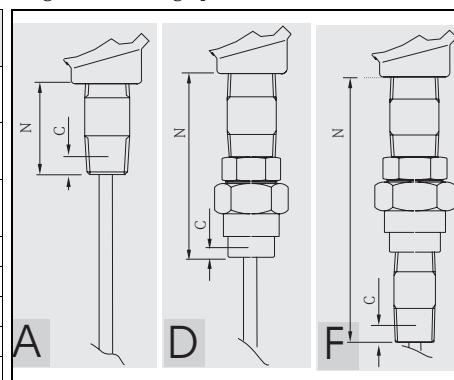
The head also has a chain to connect the body to the cover, which facilitates the use of the instrument during the maintenance on systems. The single or double threaded electrical cable entry can be: M20x1.5, 1/2" NPT or 3/4" NPT, G1/2".

Extension neck

A special extension is inserted between the husing and the thermowell connection, this part is called neck. The neck is constituted by a tube assembled to hydraulic hardware (nipples or joints) that is suitable to allow the adjustment of the sensor to the thermowell.

In addition to the standard versions listed below, it is also possible to order the extension neck by specifying the desired length (see “Sales structure” chart at the end of this document). In the TC63 the standard lengths (N) and the versions of the extension neck can be selected among the following options:

Tp	Material	N length mm	Thread	C mm	Neck dwg type
N	316	69	1/2" NPT M	8	A
N	316	109	1/2" NPT M	8	A
NU	316	96	1/2" NPT F	8	D
NUN	316	148	1/2" NPT M	8	F
N	A105	69	1/2" NPT M	8	A
N	A105	109	1/2" NPT M	8	A
NU	A105	96	1/2" NPT F	8	D
NUN	A105	148	1/2" NPT M	8	F



As illustrated by the drawing in fig. 4, the length of the extension neck may influence the temperature in the head. It is necessary that this temperature is kept within the limit values defined in the paragraph “Operating Conditions”.

Before choosing the connection, it is better to verify this graphic and therefore to choose a suitable extension to avoid the heating of the head.

Fig. 4: Heating of the head caused by the process temperature

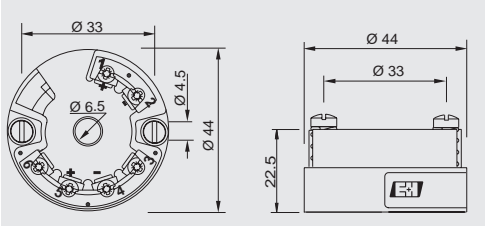
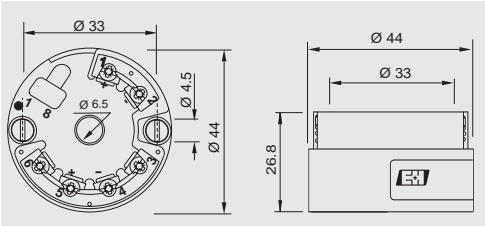
Electronic head transmitter

The required type of output signal can be obtained by choosing the correct head mounted transmitter. Endress+Hauser supplies “state-of-the-art” transmitters (the iTEMP® series) built in 2-wire technology and with 4...20 mA output signal, HART® or PROFIBUS-PA®. All of the transmitters can be easily programmed using a PC:

Head transmitter	Communication software
PCP TMT181	ReadWin® 2000
HART® TMT182	ReadWin® 2000, FieldCare, Hand held module DXR275, DXR375
PROFIBUS PA® TMT184	FieldCare

In the case of PROFIBUS-PA® transmitters, E+H recommends the use of PROFIBUS® dedicated connectors. The Weidmüller type is provided as a standard option. For detailed information about transmitters, please refer to the relevant documentation (refer to TI codes at the end of the document). If a head-mounted transmitter is not employed, the sensor probe may be connected through the terminal block to a remote converter (i.e. DIN rail transmitter). The customer may specify the configuration desired during the order phase.

The head-mounted transmitters available are:

Description	Dwg
<p>TMT181: PCP 4...20 mA. The TMT181 is a PC programmable transmitters</p> <p>TMT182: Smart HART®. The TMT182 output consists of 4...20 mA and HART® superimposed signals.</p>	
<p>TMT184: PROFIBUS-PA®. For the TMT184, with PROFIBUS-PA® output signal, the communication address may be set via software or via mechanical dip-switch.</p>	

Thermowell

The thermowell is a component of the TC63 that must tolerate most of the mechanical stress transmitted by the process.

It is made from pipe and supplied in different materials and dimensions, according the chemical/physical characteristics of the process: corrosion, temperature, pressure and speed of the fluid.

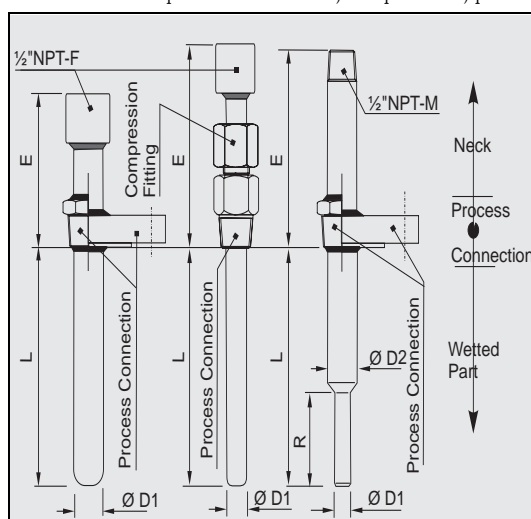


Fig. 5: Thermowell with threaded or flanged process connection

The thermowell consists of three parts:

- the extension neck (indicated as E), represents the external part of the thermowell and is connected with the head of the probe by means of a neck (usually a nipple)
- the immersed part (identified as L), is situated next to the process connection in direct contact with the fluid process.
- The welded threaded or flanged and the sliding compression fitting, are the process connection that represents the part inserted between the extension and the immersed part and guarantees the mechanical and hydraulic sealing of the thermometer and plant.

The external finishing of the thermowell stem is available with a standard value of Ra < 1.6 µm (different finishes are available on request).



Warning:

The total standard length (A) of the thermowell must never exceed 3000 mm (that represents the standard length of pipe-bars; higher lengths are available only on request).

Process connection

The standard process connections are threaded or flanged. When the process connection is threaded the material of connection is the same at the thermowell instead, when the process connection is flanged the material can be different: SS 316/1.4401 or ASTM A105/St 52.3 U standard material.

When it is necessary to have a flange in special material, more resistant at the corrosion (example Hastelloy ©C276), it is cheaper to choose an economic version composed by a flange in SS316/1.4401 with on wetted part a plated in Hastelloy® C276/2.4819 (this solution is very less expensive).

Type	Thread or Flange	Ø D1	Ø D2	Ø D3	Ø D4	D4 Nr	S1	S2	S3	A	A1
Flange	1" ANSI 150 RF	//	50,8	107,9	15,9	4	1,6	17,5	//	//	//
Flange	1" ANSI 300 RF	//	50,8	123,8	19,0	4	1,6	27,0	//	//	//
Flange	1" ANSI 600 RF	//	50,8	123,8	19,0	4	6,4	//	27,0	//	//
Flange	1" 1/2 ANSI 150 RF	//	73,0	127,0	15,9	4	1,6	22,2	//	//	//
Flange	1" 1/2 ANSI 300 RF	//	73,0	155,6	22,2	4	1,6	30,2	//	//	//
Flange	1" 1/2 ANSI 600 RF	//	73,0	155,6	22,2	4	6,4	//	31,7	//	//
Flange	2" ANSI 300 RF	//	92,1	165,1	19,0	8	1,6	33,3	//	//	//
Flange	2" ANSI 600 RF	//	92,1	165,1	19,0	8	6,4	//	36,5	//	//
All the dimension are in "mm"											
Thread	1/2" NPT - M	21,3	//	//	//	//	//	//	//	19,9	8,1
Thread	3/4" NPT - M	26,7	//	//	//	//	//	//	//	20,2	8,6
Thread	1" NPT - M	33,4	//	//	//	//	//	//	//	25,0	10,1

On request, it is possible to select also different materials, finishings and connections.

Probe

In the TC63 the measuring probe are two:

- the TPC100 (for general purpose application)
- the TPC300 (ATEX certificated application)

Both of the probe are made in mineral insulated cable (MgO), with sheath in AISI316/1.4401.

The Immersion length (U) of the sensor can be chosen within a standard range from 50 to 3000 mm (see "Warning" in the "thermowell" section).

The sensors with a Immersion length (U) > 3000 mm can be supplied after a technical verification of the specific applications from our technical office in the E+H Customer Service Department.

For replacement of the insert, it is necessary to refer the following table to have the IL (applicable only to standard thickness well bottoms). The immersion length of the insert spare part (IL) is calculated adding the total length of the thermowell (A = L + E) and the length of neck (N) used.

Insert general purpose	Ø, ..mm	N , tp.	N, mm	N, material	N, thread	IL, (mm)
TPC100	6	N	69	A105/SS316	1/2"NPT M	IL = L+E + 69 + 41
TPC100	6	N	109	A105/SS316	1/2"NPT M	IL = L+E + 109 + 41
TPC100	6	NU	96	A105/SS316	1/2"NPT F	IL = L+E + 96 + 41
TPC100	6	NUN	148	A105/SS316	1/2"NPT M	IL = L+E + 148 + 41

Insert ATEX certified	Ø, ..mm	N , tp.	N, mm	N, material	N, thread	IL, (mm)
TPC300	6	N	69	A105/SS316	1/2"NPT M	IL = L+E + 69 + 41
TPC300	6	N	109	A105/SS316	1/2"NPT M	IL = L+E + 109 + 41
TPC300	6	NU	96	A105/SS316	1/2"NPT F	IL = L+E + 96 + 41
TPC300	6	NUN	148	A105/SS316	1/2"NPT M	IL = L+E + 148 + 41

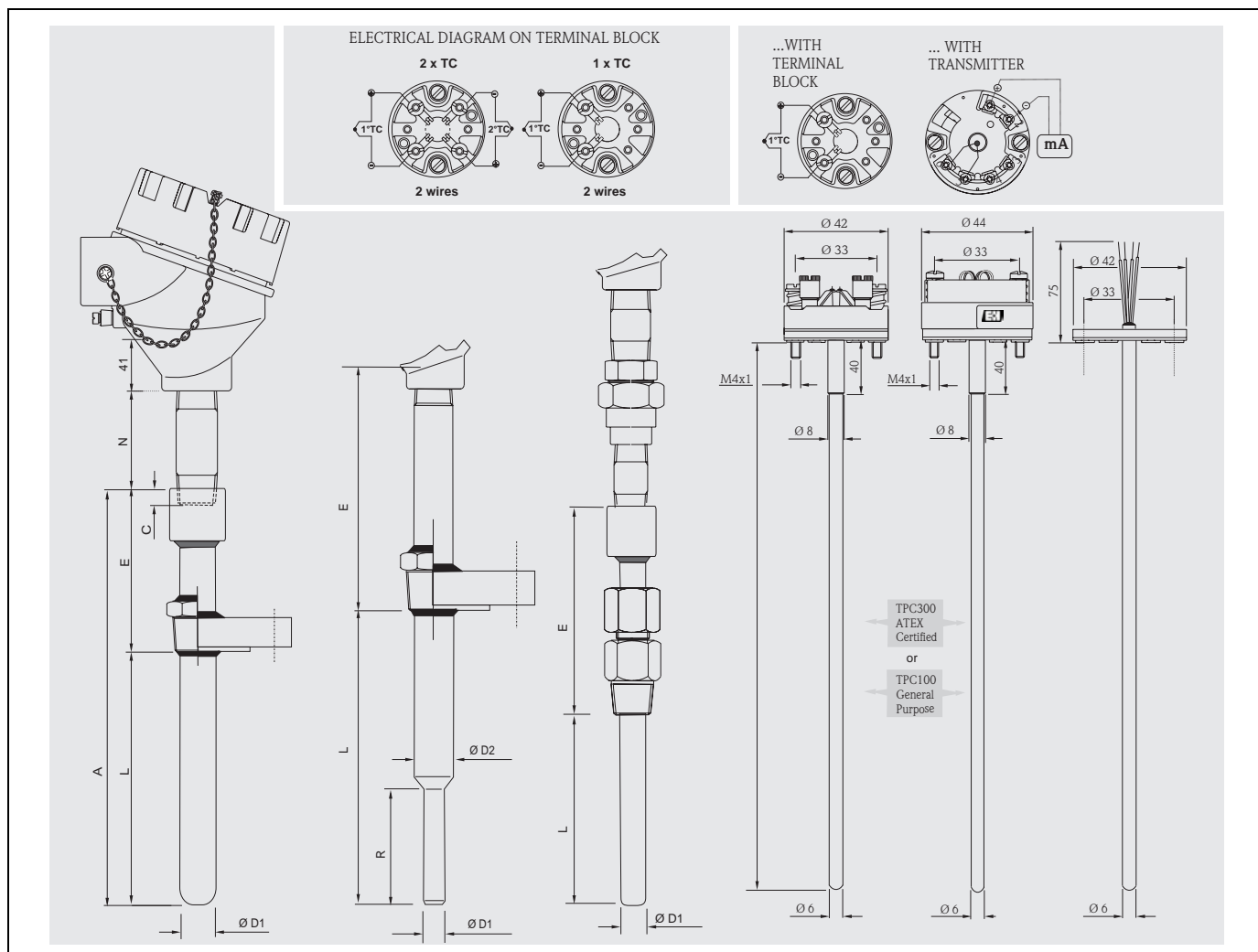


Fig. 6: Functional components, standard electrical diagrams (ceramic terminal block)

Certificates & approvals

Ex approval

- ATEX Certificate CESI 05ATEX038 for explosion proof type of protection: ATEX II 2 GD EEx-d IIC T6..T5 T85°...T100°C. ATEX II 1/2 GD EEx-d IIC T6..T5 T85°...T100°C. The TC63 is **CE** marked.

With regards to the NAMUR NE 24 certificate and the Manufacturer's Declaration according to the standard EN 50018, EN 50020, EN 50281-1-1, EN 50281-1-2, E+H Customer Service will be able to provide further detailed information.

PED approval

The Pressure Equipment Directive (97/23/CE) is respected. As paragraph 2.1 of article 1 is not applicable to these types of instruments. The **CE** mark according to PED Directive is not requested.

Material certification

The material certificate EN 10204 3.1 can be directly selected from the sale structure of the product and refers to the parts of the sensor in contact with the process fluid.

Other types of certificates related to materials can be requested separately.

The "short form" certificate includes a simplified declaration with no enclosures of documents related to the materials used in the construction of the single sensor and guarantees the traceability of the materials through the identification number of the thermometer.

The data related to the origin of the materials can subsequently be requested by the client if necessary.

Test on thermowell

The pressure tests are carried out at ambient temperature in order to verify the resistance of the thermowell to the specifications indicated by the norm DIN 43772.

With regards to the thermowells that do not comply with this norm (with a reduced tip, a tapered tip, special dimensions, etc.), the pressure of the corresponding straight tube with similar dimensions is verified. The sensors certified for use in Ex Zones, are always tested to pressure according to the same criterions.

Further details

Maintenance

The Omnigrad S TC63 thermometers do not require any specific maintenance.

In the case of ATEX certified components (transmitter, insert or thermowell) please refer to the corresponding specific relevant documentation (at the end of the document).

Ordering information

Sales structure

TC63-	Omnigrad S TC63. ATEX EEx d thermometer certified Thermocouple thermometer complete of pipe thermowell Gounded or ungrounded replaceable mineral inset. Terminal head connection with epoxy coating, IP66-IP68 Two operating and measurement ranges: from -40 to 750°C (with TC J); -40 to 1200°C (with TC K)		
	Approval:		
A	Non-harzarus area		
E	*ATEX II 2 GD EEx d IIC		
M	*ATEX II 1/2 GD EEx d IIC		
	Head, material, IP grade		
A	TA21H	Alu.	epoxy coating, , IP66 / IP68
Y	Special version, to be specified		
	Cable entry		
A	1 x 1/2 NPT		
B	2 x 1/2 NPT		
C	1 x 3/4 NPT		
D	2 x 3/4 NPT		
E	1 x M20 x1,5		
F	2 x M20 x1,5		
Y	Special version, to be specified		
	Neck length N; Material; Fitting		
A	not needed		
B	69 mm,	SS 316,	N, 1/2"NPT M
C	109 mm,	SS 316,	N, 1/2"NPT M
D	96 mm,	SS 316,	NU, 1/2"NPT F
E	148 mm,	SS 316,	NUN, 1/2"NPT M
F	69 mm,	A105,	N, 1/2"NPT M
G	109 mm,	A 105,	N, 1/2"NPT M
H	96 mm,	A 105,	NU, 1/2"NPT F
J	148 mm,	A 105,	NUN, 1/2"NPT M
Y	Special version, to be specified		
	Thermowell material:		
B	1/4"	SCH.80,	SS 316/1.4401
D	1/2"	SCH.80,	SS 316/1.4401
E	1/2"	SCH.80,	SS 446/1.4749
F	3/4"	SCH.80,	SS 316/1.4401
G	3/4"	SCH.40,	SS 446/1.4749
H	3/4"	SCH.40,	Inconel ®600/2.4816
Y	Special version, to be specified		

										Extension E; R; D1; Type of tip	
										1	100 mm; 0 mm; 0 mm; flat ENI TUB 1
										2	200 mm; 0 mm; 0 mm; round ENI TUB 2
										6	120 mm; 65 mm; 014 mm; Welded MEU8
										9	Special version, to be specified
										Insertion Length L:	
										X	mm
										Y	Special version, to be specified
										Process connection:	
										AA	not needed
										11	thread 1/2" NPT - M
										22	thread 3/4" NPT - M
										33	thread 1" NPT - M
										44	Compression fitting 1-1/2"NPT - M
										CA	1" ANSI 150 RF BL, A105
										CB	1" ANSI 150 RF BL, 316
										CC	1" ANSI 300 RF BL, A105
										CD	1" ANSI 300 RF BL, 316
										CE	1" ANSI 600 RF BL, A105
										CF	1" ANSI 600 RF BL, 316
										CG	1 1/2 ANSI 150 RF BL, A105
										CH	1 1/2 ANSI 150 RF BL, 316
										CJ	1 1/2 ANSI 300 RF BL, A105
										CK	1 1/2 ANSI 300 RF BL, 316
										CL	1 1/2 ANSI 600 RF BL, A105
										CM	1 1/2 ANSI 600 RF BL, 316
										CQ	2" ANSI 300 RF BL, A105
										CS	2" ANSI 600 RF BL, A105
										CT	2" ANSI 600 RF BL, 316
										CV	2" ANSI 300 RF BL, 316
										YY	Special version, to be specified
										Head transmitter; Range:	
										F	Flying leads
										C	Terminal block
										P	TMT181-A, PCP, from...to...°C, 2-wire, isolated
										Q	TMT181-B, PCP ATEX, from...to...°C, 2-wire, isolated
										R	TMT182-A, HART®, from...to...°C, 2-wire, isolated
										T	TMT182-B, HART® ATEX, from...to...°C, 2-wire, isolated
										S	TMT184-A, Profibus PA®, from...to...°C, 2-wire, isolated
										V	TMT184-B, Profibus PA® ATEX, from...to...°C, 2-wire, isolated
										1	THT1 separate item
										TC Accuracy; Material;	
										A	1x type K cl. 1 special; Inconel®600
										B	2x type K cl. 1 special; Inconel®600
										E	1x type J cl. 1 special; SS 316L
										F	2x type J cl. 1 special; SS 316L
										Y	Special version, to be specified
										TC Standard; Hot Junction;	
										1	EN 60584; ungrounded
										2	EN 60584; grounded
										3	ANSI MC96.1; ungrounded
										4	ANSI MC96.1; grounded
										9	Special version, to be specified
										Additional options	
										0	Not needed
										Y	Special version, to be specified
TC63-										← Order code (complete)	

Sales structure

THT1	Model and version of the head transmitter	
	F11	TMT181-A PCP, 2-wire, isolated, programmable from...to...°C
	F21	TMT181-B PCP ATEX, 2-wire, isolated, programmable from...to...°C
	F22	TMT181-C PCP FM IS, 2-wire, isolated, programmable from...to...°C
	F23	TMT181-D PCP CSA, 2-wire, isolated, programmable from...to...°C
	F24	TMT181-E PCP ATEX II3D, 2-wire, isolated, programmable from...to...°C
	F25	TMT181-F PCP ATEX II3D, 2-wire, isolated, programmable from...to...°C
	L11	TMT182-A HART®, 2-wire, isolated, programmable from...to...°C
	L21	TMT182-B HART® ATEX, 2-wire, isolated, programmable from...to...°C
	L22	TMT182-C HART® FM IS, 2-wire, isolated, programmable from...to...°C
	L23	TMT182-D HART® CSA, 2-wire, isolated, programmable from...to...°C
	L24	TMT182-E HART® ATEX II3D, 2-wire, isolated, programmable from...to...°C
	L25	TMT182-F HART® ATEX II3D, 2-wire, isolated, programmable from...to...°C
	K11	TMT184-A PROFIBUS-PA®, 2-wire, programmable from...to...°C
	K21	TMT184-B PROFIBUS-PA® ATEX, 2-wire, programmable from...to...°C
	K22	TMT184-C PROFIBUS-PA® FM IS, 2-wire, programmable from...to...°C
	K23	TMT184-D PROFIBUS-PA® CSA, 2-wire, programmable from...to...°C
	K24	TMT184-E PROFIBUS-PA® CSA, 2-wire, programmable from...to...°C
	K25	TMT184-F PROFIBUS-PA® ATEX II3D, 2-wire, isolated, programmable from...to...°C
	YYY	Special transmitter
	Application and services	
	1	Assembled into position
	9	Special version
THT1-		← Order code (complete)

Supplementary documentation

<input type="checkbox"/> Brochure Field of activities - Temperature measurement	FA006T/09/en
<input type="checkbox"/> Temperature head transmitter iTEMP® PCP TMT181	TI070R/09/en
<input type="checkbox"/> Temperature head transmitter iTEMP® HART® TMT182	TI078R/09/en
<input type="checkbox"/> Temperature head transmitter iTEMP® PA TMT184	TI079R/09/en
<input type="checkbox"/> TC insert for temperature sensors - Omniset TPC 100	TI278T/02/en
<input type="checkbox"/> TC insert for temperature sensors - Omniset TPC 300 (to be released)	TI291T/02/en
<input type="checkbox"/> Safety instructions for use in hazardous areas (TPC300, to be released)	XA017T/02/en
<input type="checkbox"/> TC thermometers Omnigrad TSC - General information	TI090T/02/en
<input type="checkbox"/> Industrial thermometers, RTD and Thermocouples	TI236T/02/en

International Head Quarter

Endress+Hauser
GmbH+Co. KG
Instruments International
Colmarer Str. 6
79576 Weil am Rhein
Germany

Tel. +49 76 21 9 75 02
Fax +49 76 21 9 75 34 5
www.endress.com
info@ii.endress.com

Endress+Hauser 

People for Process Automation