



Level



Pressure



Flow



Temperature

Liquid
Analysis

Registration

Systems
Components

Services

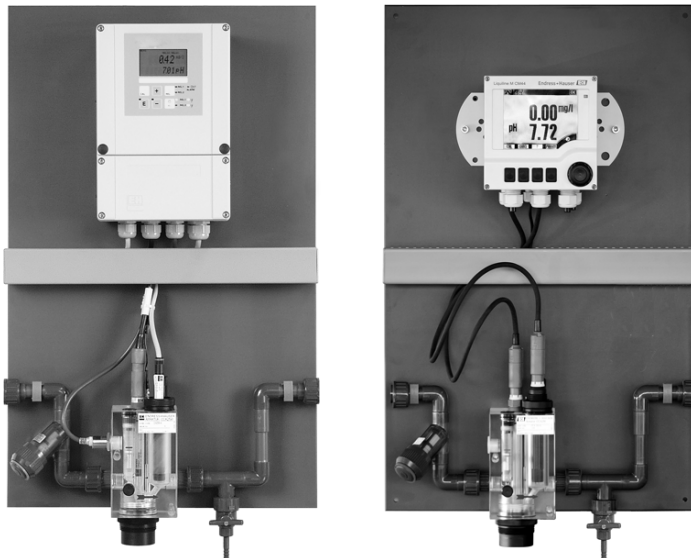


Solutions

Technical Information

Compact measuring station for disinfection (DI) CCE10 / CCE11

Station for the measurement of chlorine, total chlorine or chlorine dioxide and pH - ready for connection



Application

- Water treatment, drinking water plants, process water
- Swimming pools
- Chlorine dosing in water treatment (CCE10)
- Quality control and monitoring in distribution networks (CCE11)

Your benefits

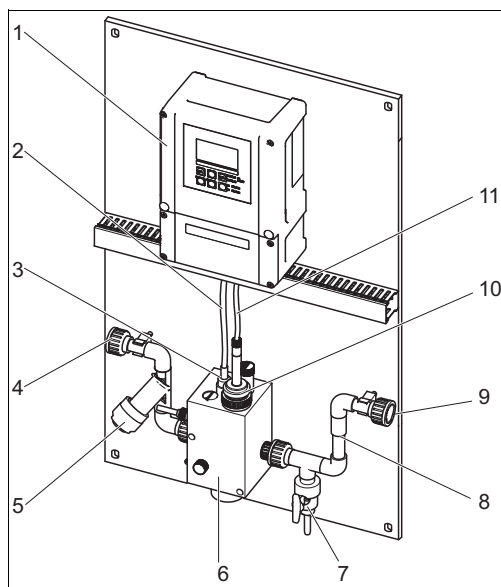
- System ready for connection
- CCE10
 - Based on Liquisys M CCM253
 - Measurement of free chlorine, chlorine dioxide or total chlorine as well as pH and temperature
 - The allround panel for measurement and control
- CCE11
 - Based on Liquiline CM330
 - Measurement of free chlorine, pH and temperature
 - Digital sensors with Memosens technology for free chlorine and pH
 - Use of pre-calibrated sensors possible
 - No complicated on-site calibration necessary

- Various connections for water pipes available
 - Metric G³/₄ (e.g. for Europe): Adapter for pipe connection D16 included in scope of delivery
 - Inch FNPT 1/2" (e.g. for North America)
- Water circuit with integrated coarse filter and sampling tap for DPD reference measurements
- Assembly with integrated flow setting and flow monitoring; proximity switch triggers alarm when minimum flow is too low (CCE10: via Liquisys; CCE11: external evaluation necessary)
- Check valve
- Easy maintenance
 - Extremely easy monitoring of flow, soiling and air bubbles thanks to transparent assembly block
 - All sensors can be calibrated in installed position

Function and system design

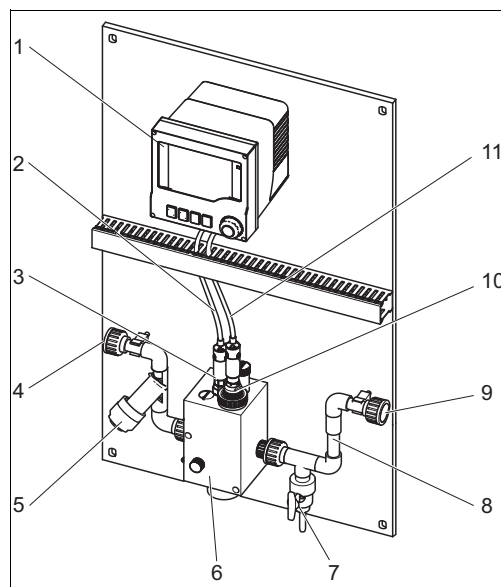
Measuring system

The measuring system is completely mounted and wired. It consists of:



CCE10

- 1 *Liquisys M CCM253 transmitter*
- 2 *Special measuring cable for pH sensors*
- 3 *CPS31 pH sensor*
- 4 *Inlet*
- 5 *Dirt trap*
- 6 *Flowfit CCA250 assembly*
- 7 *Sampling tap*
- 8 *Check valve*
- 9 *Outlet*
- 10 *CCS120/140/141/240/241 sensor (DI)*
- 11 *Special measuring cable for DI sensor*



CCE11

- 1 *Liquiline CM330 transmitter*
- 2 *CYK10 Memosens data cable*
- 3 *CPS11D pH sensor*
- 4 *Inlet*
- 5 *Dirt trap*
- 6 *Flowfit CCA250 assembly*
- 7 *Sampling tap*
- 8 *Check valve*
- 9 *Outlet*
- 10 *CCS142D sensor (DI)*
- 11 *CYK10 Memosens data cable*

Outputs

Output signal

- CCE10: 0/4 to 20 mA, galvanically separated, active
 - CCE11: 0/4 to 20 mA, galvanically separated, passive
- External power supply required!

Power supply

Supply voltage

- CCE10: depending on ordered version:
100/115/230 V AC +10/-15 %, 48 to 62 Hz
24 V AC/DC +20/-15 %, 48 to 62 Hz
- CCE11: 24 V DC ±20 %

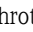
Power consumption

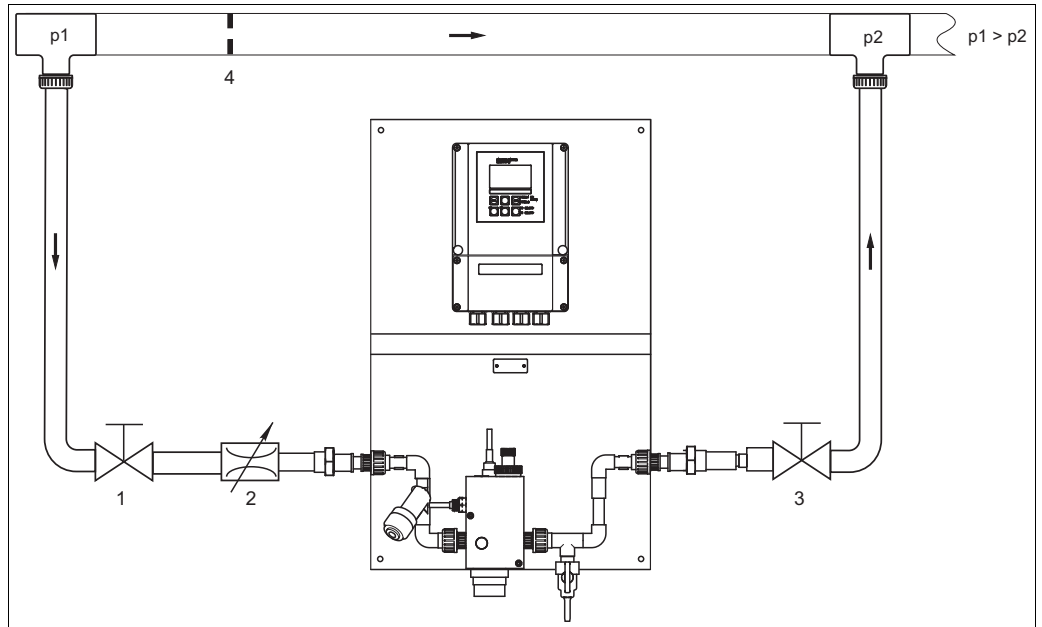
- CCE10: approx. 7.5 VA
- CCE11: approx. 1 W

Installation

Installation notes

Bypass operation

To achieve a flow through the bypass, pressure p_1 has to be higher than pressure p_2 . Therefore, you have to install an orifice plate or a throttle valve in the main pipe (\rightarrow , pos. 4).



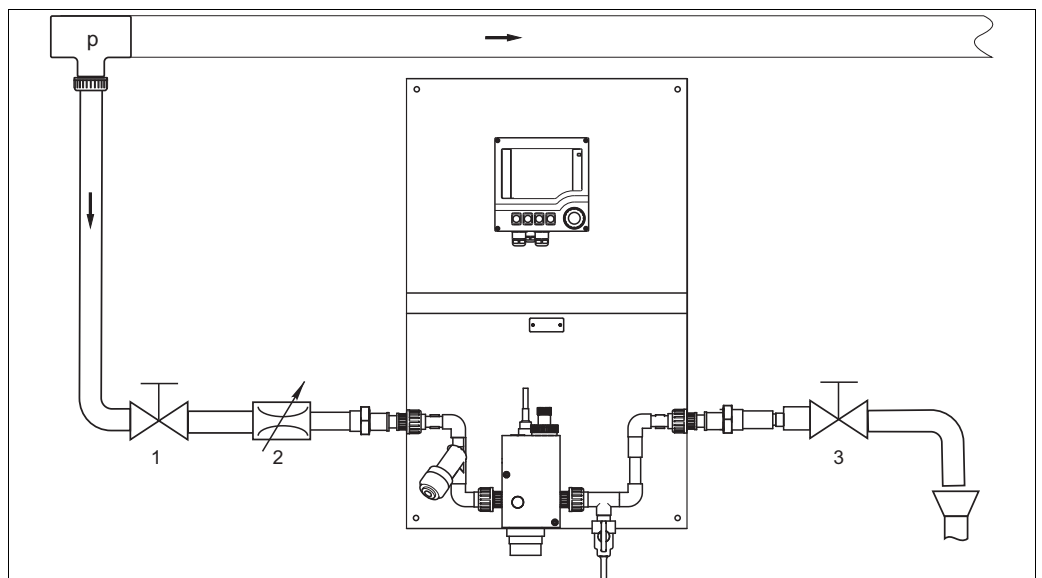
Installation example with bypass and orifice plate in the main pipe

- 1 Stop valve (to be provided by customer)
- 2 Pressure reducer (if $p_1 > 4 \text{ bar (58 psi)}$) (to be provided by customer)
- 3 Stop valve (to be provided by customer)
- 4 Orifice plate in the main pipe (to be provided by customer)

Caution!

p_2 must not exceed the permissible operating pressure of the assembly of 4 bar (58 psi).

Open outlet operation



Installation example with open outlet

- 1 Stop valve (to be provided by customer)
- 2 Pressure reducer (if $p > 4 \text{ bar (58 psi)}$) (to be provided by customer)
- 3 Stop valve (to be provided by customer)

Environment

Ambient temperature 0 to 50 °C (32 to 120 °F)

Storage temperature 0 to 50 °C (32 to 120 °F)

Process

Process temperature 0 to 45 °C (32 to 110 °F), non-freezing

Process pressure max. medium pressure: 4 bar (58 psi) at 40 °C (104 °F), see also diagram below

Temperature-pressure diagramm

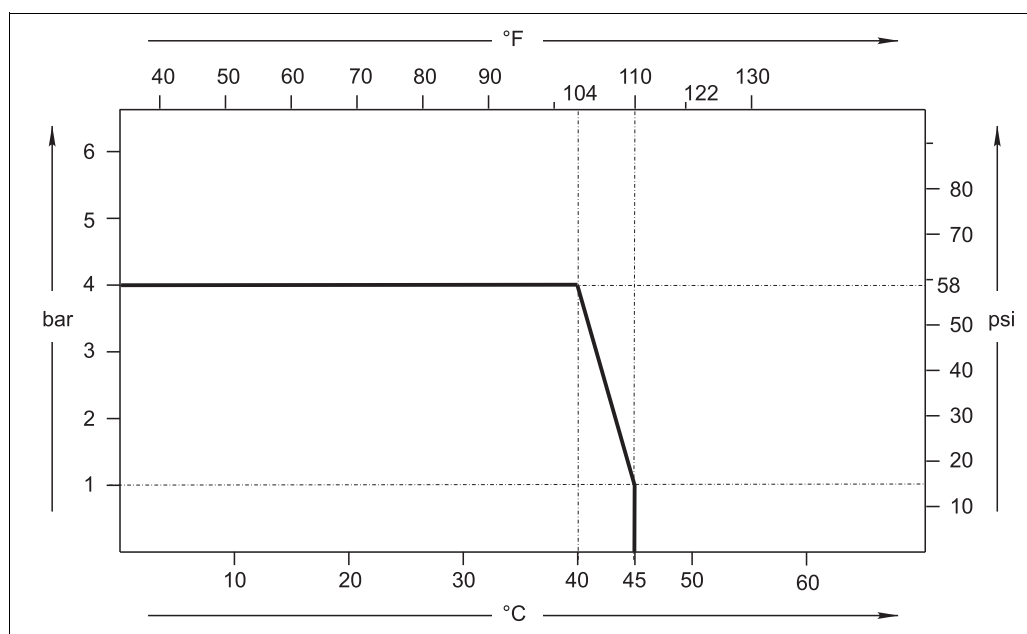
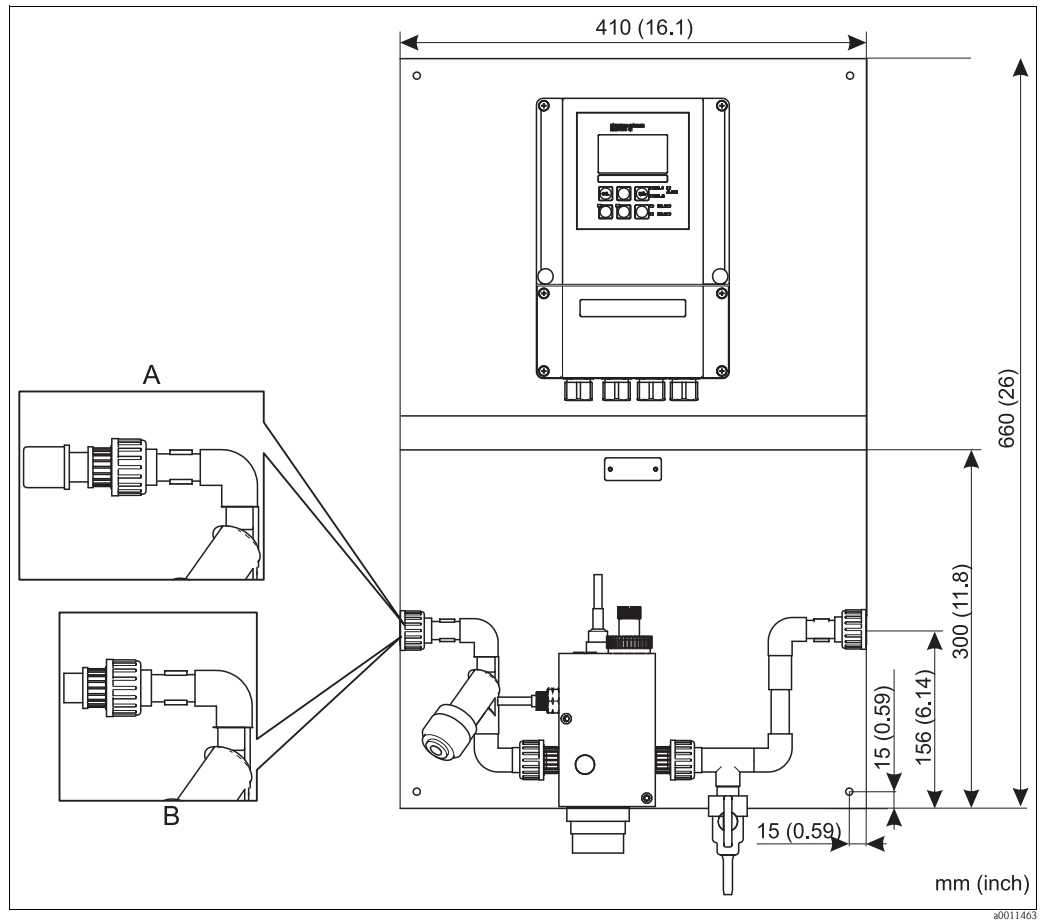


Fig. 1: Temperature-pressure diagram

Flow optimum 30 l/h (7.9 gal/h)
30 to 120 l/h (7.9 to 31.7 gal/h), adjustable

Mechanical construction

Design, dimensions



Dimensions

- A CCE1X-1 version, metric with G $\frac{3}{4}$ union nut and adapter for hose D6/12
 B CCE1X-2 version, inch with G1 union nut and FNPT $\frac{1}{2}$ " adapter

Weight

approx. 5 kg (11 lbs)

Materials

In contact with medium:

Assembly body	plexiglass (PMMA)
Built-in parts	PVC, stainless steel 1.4571 (AISI 316Ti), EPDM, Viton
Pipes	PVC-U
O-rings	EPDM
Dirt trap	
Material	PVC
Mesh size	0.5 mm (0.02")

Process connections

CCE1X-1:	PVC G $\frac{3}{4}$ union nut, adapter for hose D6/12
CCE1X-2:	PVC G1 union nut , FNPT $\frac{1}{2}$ " adapter

Sensors

	CCE10	CCE11
Parameter, measuring range		
A1	CCS140	CCS142D-AAS80
A2	CCS141	CCS142D-GAS80
B1	CCS240	–
B2	CCS241	–
C2	CCS120	–
pH		
EP	CPS31	CPS11D

Note!

The pH sensors indicated above are included in the scope of delivery if ordered accordingly. You may also use different pH sensors such as CPS71, CPS71D (see "Accessories").

Ordering information

CCE10 product structure

				Media connection	
	1			PVC G $\frac{3}{4}$ union nut, adapter hose ID6, OD12	
	2			PVC G1 union nut, adapter FNPT $\frac{1}{2}$ "	
				Parameter; measuring range	
	A1			Free chlorine; 0 to 20 mg/l (CCS140)	
	A2			Free chlorine; 0 to 5 mg/l (CCS141)	
	B1			Chlorine dioxide; 0 to 20 mg/l (CCS240)	
	B2			Chlorine dioxide; 0 to 5 mg/l (CCS241)	
	C2			Total chlorine; 0 to 10 mg/l (CCS120)	
				pH measurement/ pH compensation	
	EK			without	
	EP			with	
				Power supply	
	0			230 V AC	
	1			115 V	
	2			230 V AC; CSA Gen. Purp.	
	3			115 V AC; CSA Gen. Purp.	
	5			100 V AC	
	7			24 V AC/DC; CSA Gen. Purp.	
	8			24 AC/DC	
				Output	
	0			1 x 20 mA; Cl ₂ / ClO ₂	
	1			2 x 20 mA; Cl ₂ / ClO ₂ + temp. / P(ID) / pH/ORP / Cl ₂ /ClO ₂	
	3			PROFIBUS PA	
	4			PROFIBUS DP	
	5			1 x 20 mA; Cl ₂ / ClO ₂ HART	
	6			2 x 20 mA; Cl ₂ / ClO ₂ HART + temp. / P(ID) / pH/ORP / Cl ₂ /ClO ₂	
				Additional contacts	
	05			not selected	
	10			2 x relay; limit / P(ID) / timer	
	15			4 x relay; limit / P(ID) / Chemoclean	
	16			4 x relay; limit / P(ID) / timer + 3-point step controller	
	20			20 mA input + 2 x relay; limit / P(ID) / timer	
	25			20 mA input + 4 x relay; limit / P(ID) / Chemoclean + 3-point step controller	
	26			20 mA input + 4 x relay; limit / P(ID) / timer + 3-point step controller	
CCE10-					complete order code

CCE11 product structure

Media connection			
	1		PVC G $\frac{3}{4}$ union nut , adapter for hose D6/12
	2		PVC G1 union nut , adapter FNPT $\frac{1}{2}$ "
Parameter; measuring range			
	A1		Free chlorine; 0 to 20 mg/1 (CCS142D-A)
	A2		Free chlorine; 0 to 5 mg/1 (CCS142D-G)
pH measurement/pH compensation			
		1	without
		2	with
CCE11-			complete order code

Scope of delivery

The scope of delivery comprises:

- 1 measuring station, assembled with
 - transmitter
 - assembly
 - DI sensor
 - pH sensor (if selected)
 - cables
 - water pipes
- 1 accessory bag with
 - 2 hose connections D6/12 glued to union nut D16 (CCE1X-1) or 2 PVC male threads G 1 to FNPT $\frac{1}{2}$ " (CCE1X-2)
 - lower cap with calibration vessel for CCA250
 - dummy plugs of installation positions pH/ORP/chlorine
 - removable part of ball valve in OFF position with dummy plug F18
 - filling electrolyte and membrane cap of the DI sensor
- Operating Instructions for
 - transmitter
 - sensor
 - assembly

Accessories

Note!

In the following sections, you find the accessories available at the time of issue of this documentation.
For information on accessories that are not listed here, please contact your local service or sales representation.

Sensors

CCE10

- CCS120
Amperometric sensor for total chlorine
Measuring range 0.1 to 10 mg/l
Ordering acc. to product structure, see Technical Information (TI388C/07/en)
 - CCS140
Membrane-covered amperometric sensor for free chlorine
Measuring range 0.05 to 20 mg/l
Ordering acc. to product structure, see Technical Information (TI058C/07/en)
 - CCS141
Membrane-covered amperometric trace sensor for free chlorine
Measuring range 0.01 to 5 mg/l
Ordering acc. to product structure, see Technical Information (TI058C/07/en)
 - CCS240
Membrane-covered amperometric sensor for chlorine dioxide
Measuring range 0.05 to 20 mg/l
Ordering acc. to product structure, see Technical Information (TI114C/07/en)
 - CCS241
Membrane-covered amperometric trace sensor for chlorine dioxide
Measuring range 0.01 to 5 mg/l
Ordering acc. to product structure, see Technical Information (TI114C/07/en)
 - Orbisint CPS11
pH electrode for process applications with dirt-repellent PTFE diaphragm
Ordering acc. to product structure, see Technical Information (TI028C/07/en)
- Ceratex CPS31
- pH electrode especially suited for swimming pools, with 3 ceramic diaphragms
 - Ordering according to product structure, see Technical Information (TI030C/07/en)
- Ceragel CPS71
pH electrode with double junction reference system and integrated bridge electrolyte
Ordering acc. to product structure, see Technical Information (TI245C/07/en)

CCE11

- CCS142D
- Membrane-covered amperometric sensor for free chlorine
 - Memosens technology
 - Measuring range 0.01 to 20 mg/l
 - Ordering acc. to product structure, see Technical Information (TI419C/07/en)
- Orbisint CPS11D
pH electrode for process applications with dirt-repellent PTFE diaphragm
Memosens technology
Ordering acc. to product structure, see Technical Information (TI028C/07/en)
- Ceragel CPS71D
pH electrode with double junction reference system and integrated bridge electrolyte
Memosens technology
Ordering acc. to product structure, see Technical Information (TI245C/07/en)

Connection accessories

Special measuring cable with TOP68 plug-in head for CCS120

- Length: 1 m (3.28 ft)
- Order no.: 51517204

Special measuring cable with TOP68 plug-in head for CPS11/CPS31/CPS71

- Length: 1 m (3.28 ft)
- Order no.: 51513423

CYK10 Memosens data cable

- For digital sensors with Memosens technology
- Ordering according to product structure, see Technical Information (TI376C/07/en)

Calibration accessories**Free chlorine/chlorine dioxide**

CCM182

- Microprocessor-controlled photometer for determining chlorine and pH value
- Measuring range for chlorine: 0.05 - 6 mg/l
- Measuring range for pH value: 6.5 - 8.4
- Order no.: CCM182-0

Cuvettes for CCM182

- 3 pieces
- Order no. 51507203

DPD tablets no. 1

- 100 pieces for free chlorine
- Order no. 50035461

DPD tablets no. 3

- 100 pieces for total chlorine
- Order no. 51502871

pH

High-quality buffer solutions of Endress+Hauser - CPY20

The secondary buffer solutions have been referenced to primary reference material of the PTB (German Federal Physico-technical Institute) and to standard reference material of NIST (National Institute of Standards and Technology) according to DIN 19266 by a DKD (German Calibration Service) accredited laboratory.

pH value	
A	pH 2.00 (accuracy ± 0.02 pH)
C	pH 4.00 (accuracy ± 0.02 pH)
E	pH 7.00 (accuracy ± 0.02 pH)
G	pH 9.00 (accuracy ± 0.02 pH)
I	pH 9.20 (accuracy ± 0.02 pH)
K	pH 10.00 (accuracy ± 0.05 pH)
M	pH 12.00 (accuracy ± 0.05 pH)
Quantity	
01	20 x 18 ml (0.68 fl.oz) only buffer solutions pH 4.00 and 7.00
02	250 ml (8.45 fl.oz)
10	1000 ml (0.26 US gal)
50	5000 ml (1.32 US gal) canister for Topcal S
Certificates	
A	Buffer analysis certificate
Version	
1	Standard
CPY20-	complete order code

Maintenance kits

Service kit for CCS120

- 2 membrane caps and 1 bottle of electrolyte (50 ml (1.69 fl.oz))
- Order no. 51517284

Service kit CCS14x

- For chlorine sensors CCS140/CCS141/CCS142D
- 2 replacement cartridges, filling electrolyte 50 ml, polishing sheets
- Order no. 71076921

Service kit CCS24x

- For chlorine dioxide sensors CCS240/CCS241
- 2 replacement cartridges, filling electrolyte 50 ml, polishing sheets
- Order no. 71076922

Instruments International

Endress+Hauser
Instruments International AG
Kaegenstrasse 2
4153 Reinach
Switzerland

Tel.+41 61 715 81 00
Fax+41 61 715 25 00
www.endress.com
info@ii.endress.com

Endress+Hauser 
People for Process Automation