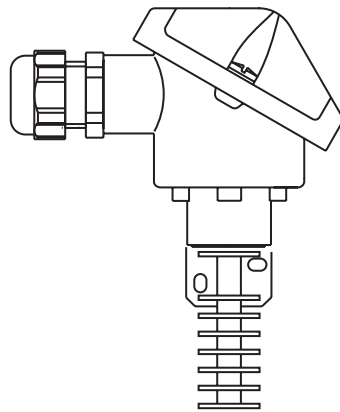
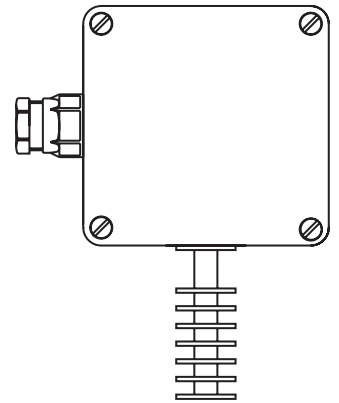


RTD Thermometer *omnigrad TST434*

**Medium duty - Building automation
for outdoor ambient temperature
with housing for wall mounting**



TST434 with TA20A



TST434 with TA30

Description

TST434 RTD thermometer includes a 8 mm diameter aluminium anodised thermowell with 20 mm diameter fins and housing suitable for wall mounting

Application

For outdoor temperature measurements or in any wet ambient like refrigerators and climatic chambers. The signal can be transmitted either by ohmic value or a 4...20 mA signal by means of a head transmitter installed in a IP67 Polycarbonate case or in a IP68 head DIN 43729 form B type.

Technical data

Allowed temperature: -30°C to +100°C without transmitter
-20°C to +80°C with transmitter

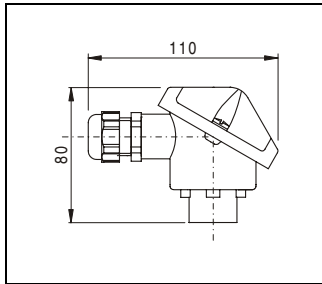
Protecting tube

Standard diameter: 8 mm diameter with 20 mm diameter fins
Standard material: anodised aluminium

Inset

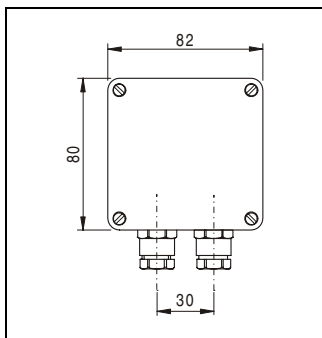
Sensing element: Platinum resistance, 1 Pt100 Ω at 0°C
Tolerances: Class A or B to IEC 751
Wiring: 3 wire connections
Insulation resistance: $\geq 100 \text{ M}\Omega$, test voltage 250V at ambient temperature
Electrical connections: plate for transmitter mounting or terminal board

TA20A terminal head



Dimensions: according to DIN43763 form B
Protection grade: IP68
Transmitter mounting holes distance: 33 mm
Cable entry: PG16 + grey gland skintop
Thermowell entry: by standard nounting kit
Body colour: blue according to RAL 5012, epoxy coated
Cap colour: grey according to RAL 7035, epoxy coated

TA 30 housing



Dimensions: 80x82x55 mm
Protection grade: IP67
Tranmitter mounting holes distance: 33 mm
Material: polycarbonate
Cable entry: PG9 with cable gland
Thermowell entry: by standard mounting kit
Colour: grey according to RAL 7035

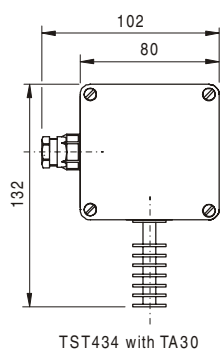
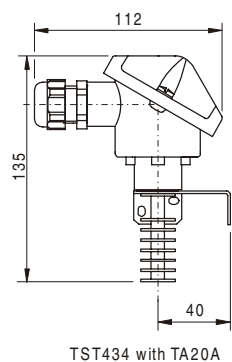
Terminal head

Table 1: Built-in head transmitter

(*)	Features	Model	Mounting
A B C	Transmitter 4..20mA, 0...50°C Transmitter 4..20mA, 0...100°C Transmitter 4..20mA, 0...150°C	Analogue Fixed Range TMT137	Suitable for Form B head
P Q	4..20mA analogue output with I/O isolation 4..20mA analogue output with I/O isolation (EEx ia version)	Digital PC settable TMT181	Suitable for Form B head
R T	Hart@ analogue with I/O isolation Hart@ analogue with I/O isolation (EEx ia version)	Hart@Protocol TMT182	Suitable for Form B head
0 1 9	Without built-in transmitter Built-in transmitter THT1, ordered separately Built-in transmitter as specified	On request	-

↓ (*) refer to the order key

	Built-in head transmitter
--	---------------------------



Order key

TST434- RTD THERMOMETER - Medium duty - Building automation -
For outdoor ambient temperature - With housing for wall mounting

Electrical connection type

- K Terminal block for wire connection
- J Plate for transmitter mounting

Class and type of inset

- 1B3 - 1 Pt100 class B, 3 wire
- 1A3 - 1 Pt100 class A, 3 wire
- 9Y9 - RTD class and type to specification

Head type

- A TA20A DIN B, in Al IP68
- G TA30 Polycarbonate housing IP67

Built-in head transmitter (see table 1)

TST434-						Complete Order Code
---------	--	--	--	--	--	---------------------

Endress+Hauser
GmbH+Co.
Instruments International
P.O. Box 2222
D-79574 Weil am Rhein
Germany

Tel. (07621) 975-02
Tx 773926
Fax (07621) 975 345
<http://www.endress.com>
info@ii.endress.com

Endress + Hauser
The Power of Know How

