

TA Fittings & Sockets

omnigrad TA50, TA60, TA75, TA55, TA70

Accessories - General purpose & Sanitary
General - Threaded / Flanged / Welding socket
Sanitary - Ball type / Weld-in



TA50 - Threaded



TA55 - Sanitary Ball type



TA60 - Flanged



TA70 - Sanitary Weld-in

Description

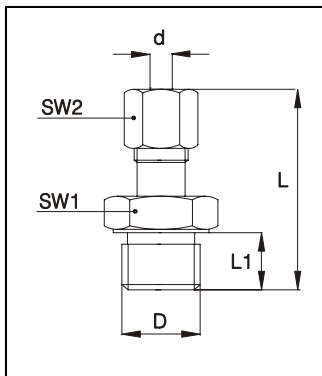
TA series is a family of adjustable compression fittings and welding sockets suitable to match any thermometer having no process connection pre-defined.

A wide selection of standard diameters as well as process connections and materials are available as standard versions.

Application

TA fittings and sockets are suitable for process, contact and special thermometer.

TA50 - General purpose



Threaded compression fittings

Hole diameter: 3,6,8 ÷ 11, 12, 13 mm
 Standard material: AISI316/W.1.4401
 Sleeve material: AISI316/W.1.4401 or PTFE
 Max. operating condit.: Sealing ring in PTFE T_{max} 180°C; P_{max} 5 bar @ 20°C
 Sealing ring in AISI316/W.1.4401 T_{max} 400°C; P_{max} 40 bar @ 20°C
 Process connection: *Table 1*

D	d	SW1	SW2	L1	L ^[A]	L ^[B]
G1/8"	3	14	12	10	37-38	35-40
G1/4"	3	19	12	10	39-40	37-42
	6	19	14	10	40-41	38-43
G3/8"	6	22	14	15	45-46	43-48
	6	27	14	15	45-46	43-48
G1/2"	8	27	19	15	51-52	49-54
	9	27	22	15	51-52	49-54
	10	27	22	15	52-53	50-55
	10 ^(r)	27	19	15	-	47-48
	11	27	22	15	52-53	50-55
	12					
	13	27	27	15	54-55	50-57
G3/4"	6	32	14	20	53-54	51-56
	13	32	27	20	62-63	58-65
G1"	13	41	27	25	69-70	65-72
1/4"NPT	3	14	12	15	41-42	39-44
	6	14	14	15	42-43	40-45
1/2"NPT	6	22	14	20	50-51	48-53
	13	22	27	20	59-60	55-62
3/4"NPT	6	27	14	20	50-51	48-53
	13	27	27	20	59-60	55-62
1"NPT	13	36	27	25	66-67	62-69

Note ^[A]: L for TA50 with sleeve in AISI316/W.1.4401
 Note ^[B]: L for TA50 with sleeve in PTFE

TA50- THREADED COMPRESSION FITTING

In AISI316 / W.1.4401

Conn. to process and compress. element

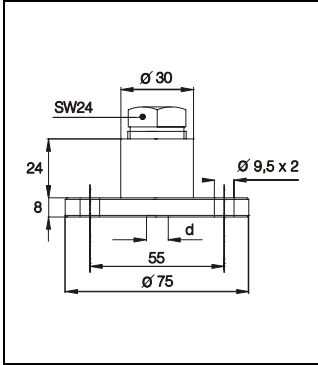
- QB Hole 3mm, G1/8, element AISI316-W1.4401
- QP Hole 3mm, G1/8, element PTFE
- FB Hole 3mm, G1/4, element AISI316-W1.4401
- FP Hole 3mm, G1/4, element PTFE
- GB Hole 6mm, G1/4, element AISI316-W1.4401
- GP Hole 6mm, G1/4, element PTFE
- NB Hole 6mm, G3/8, element AISI 316
- NP Hole 6mm, G3/8, element PTFE
- HB Hole 6mm, G1/2, element AISI316-W1.4401
- HC Hole 8mm, G1/2, element SS316-W1.4401
- HP Hole 6mm, G1/2, element PTFE
- HD Hole 8mm, G1/2, element PTFE
- HE Hole 9mm, G1/2, element AISI316
- HF Hole 9mm, G1/2, element PTFE
- HG Hole 10mm G1/2, element AISI316
- HH Hole 10mm G1/2, element PTFE
- HL Hole 11mm G1/2, element AISI316
- HM Hole 11mm G1/2, element PTFE
- HN Hole 12mm, G1/2, element AISI316
- HQ Hole 12mm, G1/2, element PTFE
- KB Hole 13mm, G1/2, element AISI316-W1.4401
- KP Hole 13mm, G1/2, element PTFE
- PB Hole 6mm, G3/4, element AISI 316
- PP Hole 6mm, G3/4, element PTFE
- RB Hole 13mm, G3/4, element AISI316-W1.4401
- RP Hole 13mm, G3/4, element PTFE
- JB Hole 13mm, G1, element AISI316-W1.4401
- JP Hole 13mm, G1, element PTFE
- AB Hole 3mm, 1/4 NPT, element AISI
- AP Hole 3mm, 1/4 NPT, element PTFE
- BB Hole 6mm, 1/4 NPT, element AISI
- BP Hole 6mm, 1/4 NPT, element PTFE
- CB Hole 6mm, 1/2 NPT, element AISI
- CP Hole 6mm, 1/2 NPT, element PTFE
- EB Hole 13mm, 1/2 NPT, element AISI
- EP Hole 13mm, 1/2 NPT, element PTFE
- DB Hole 6mm, 3/4 NPT, element AISI
- DP Hole 6mm, 3/4 NPT, element PTFE
- SB Hole 13mm, 3/4 NPT, element AISI
- SP Hole 13mm, 3/4 NPT, element PTFE
- TB Hole 13mm, 1 NPT, element AISI
- TP Hole 13mm, 1 NPT, element PTFE
- YY To specification

TA50- Complete Order Code

TA60 - General purpose

Flanged compression fitting

Hole diameter: 6, 13
 Standard material: Al
 Sleeve material: AISI316/W.1.4401 or PTFE
 Max. operating condit.: Sealing ring in PTFE T_{max} 180°C; P_{max} 5 bar @ 20°C
 Sealing ring in AISI316/W.1.4401 T_{max} 400°C; P_{max} 40 bar @ 20°C



TA60- FLANGED COMPRESSION FITTING

Flange diameter 75 mm

Conn. to process and compress. element

LB Hole 6 mm, element AISI316-W1.4401
 LP Hole 6 mm, element PTFE
 MB Hole 13mm, element AISI316-W1.4401
 MP Hole 13mm, element PTFE
 YY To specification

Materials

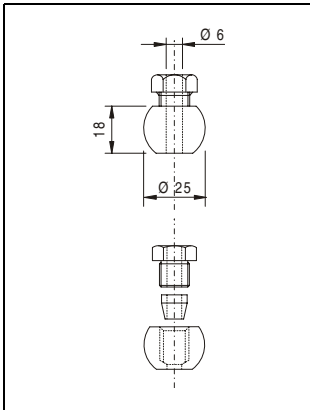
C Flange in Al
 Y To specification

TA60-			Complete Order Code
-------	--	--	----------------------------

TA55 - Sanitary

Ball type compression fitting

Hole diameter: 6 mm
 Ball material: 25 mm
 Standard material: AISI316/W.1.4401
 Max. operating condit.: T_{max} 400°C; P_{max} 40 bar @ 20°C



TA55- BALL BEARING WELDING SLEEVE

Made of stainless steel 1.4541. Press ring for sealing the process to plug-in sensor with diameter 6 mm.

Ball diameter: 25 mm
 Thickness : 18 mm

Bore diameter

HB Hole 6 mm, element AISI 316-W 1.4401
 YY To specification

TA55-		Complete Order Code
-------	--	----------------------------

TA70 - Sanitary

Weld-in compression fitting

Hole diameter: 6, 9 11 mm
 Standard material: AISI316/W.1.4401
 Threaded connection: G1/2"
 Sealing ring material: AISI316/W.1.4401, PTFE, Silopren
 Max. operating condit.: T_{max} 180°C; P_{max} 40 bar @ 20°C

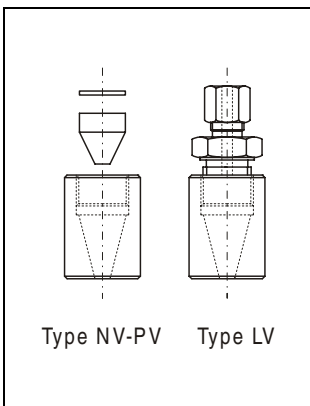


Table B

Hole D	LR
6 mm	41 mm
9 mm	37 mm
11 mm	34 mm

TA70- WELD-IN HYGIENIC FITTING

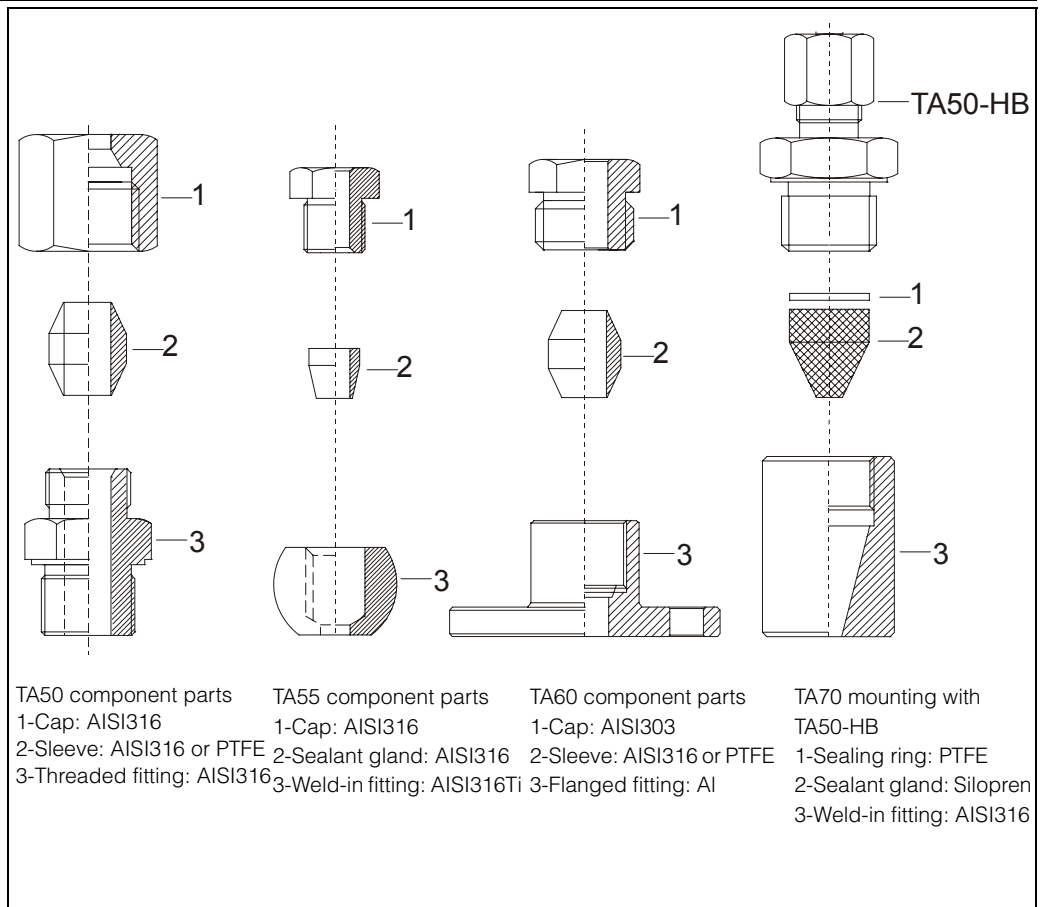
Version AISI 316-W1.4401, PTFE, Silopren (180 oC)

Weld-in connection

LV Hole 6mm, complete with TA50-HB
 NV Hole 9mm
 PV Hole 11mm
 YY To specification

TA70-		Complete Order Code
-------	--	----------------------------

Mounting information



Endress+Hauser
 Gmbh+Co.
 Instruments International
 P.O. Box 2222
 D-79574 Weil am Rhein
 Germany

Tel. (07621) 975-02
 Tx 773926
 Fax (07621) 975 345
<http://www.endress.com>
info@ii.endress.com

Endress + Hauser
 The Power of Know How

