



Level



Pressure



Flow



Temperature



Liquid
Analysis



Registration



Systems
Components

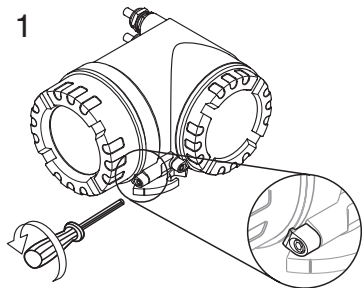


Services

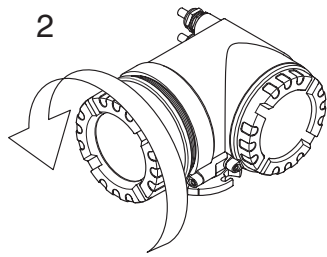


Solutions

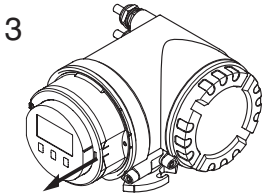
Tank Side Monitor NRF590 W&M Seal



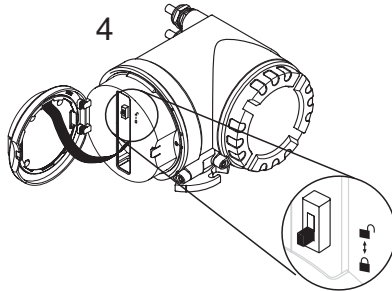
1



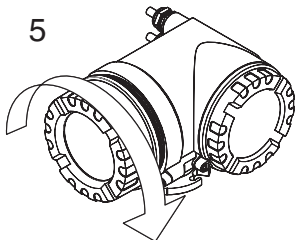
2



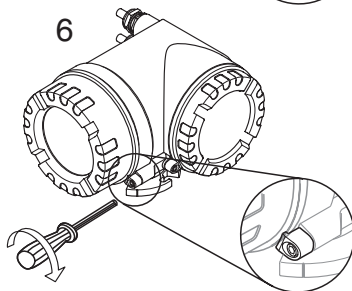
3



4

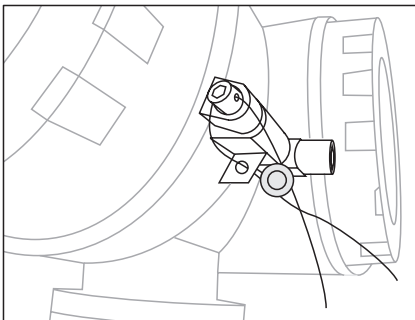


5



6

7





Level



Pressure



Flow



Temperature



Liquid Analysis



Registration



Systems Components



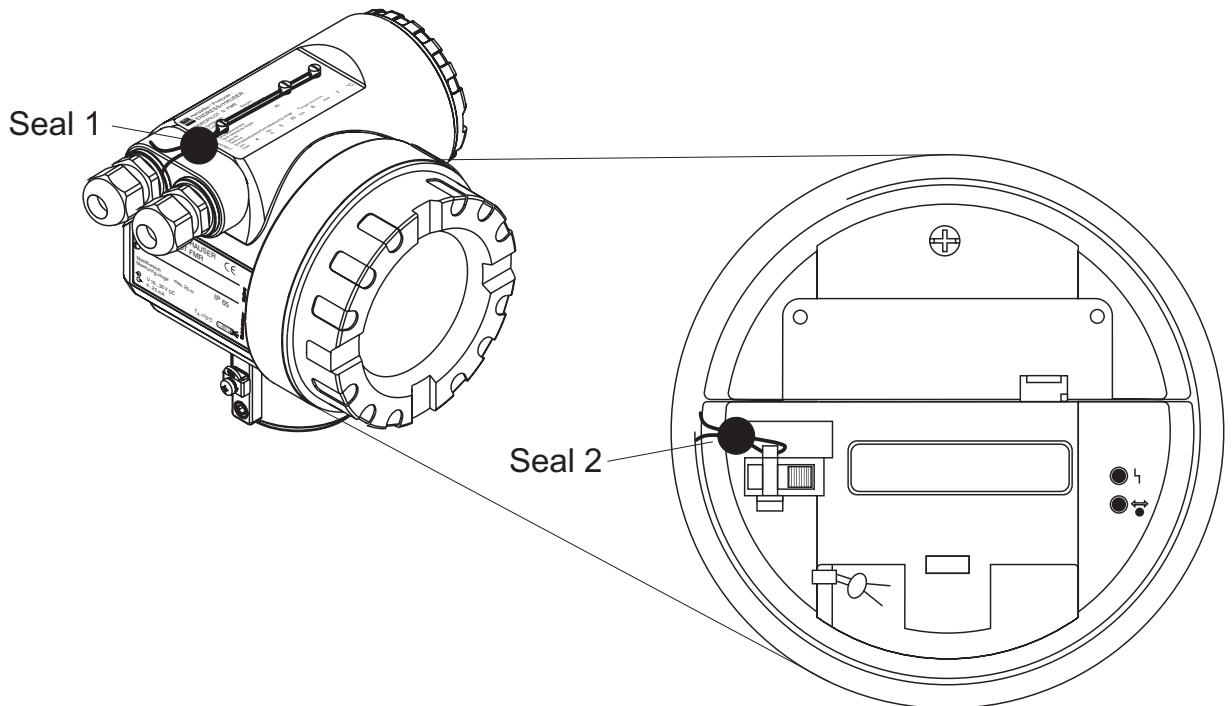
Services



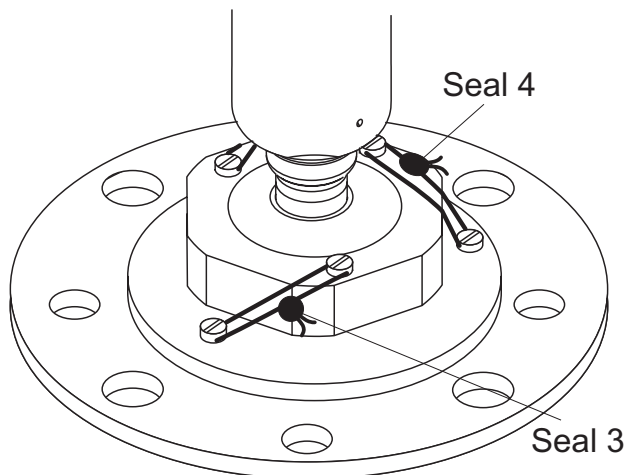
Solutions

Micropilot S FMR53x/FMR540 W&M Seal

For all FMR53x and FMR540



Only for FMR540 with alignment device
(top target positioner)



Note!

The sealing must be installed in a way to ensure that an opening of the alignment device is not possible (against the open direction).

It is recommended to seal at least two of the three sealing equipments.