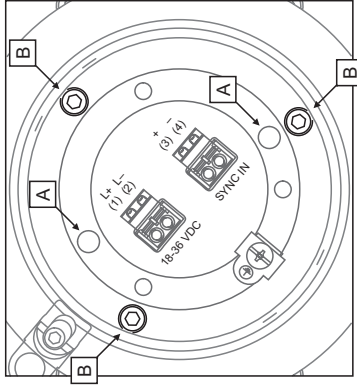


TERMINAL COMPARTMENT



Do not close the threaded holes [A]

Do not loosen the screws [B]

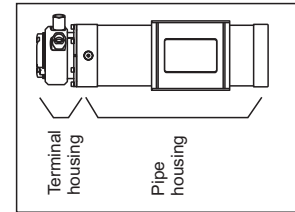
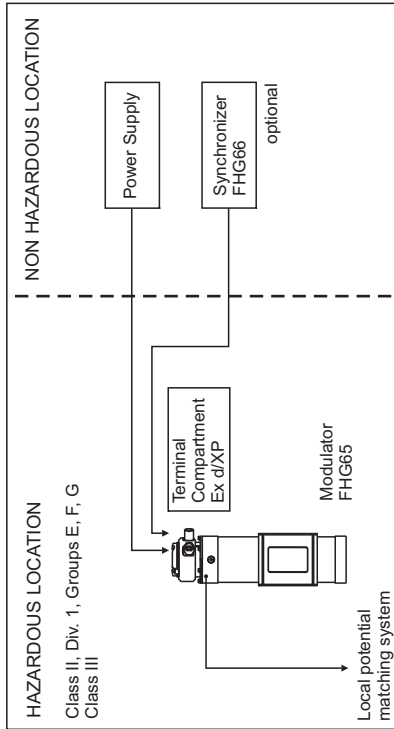
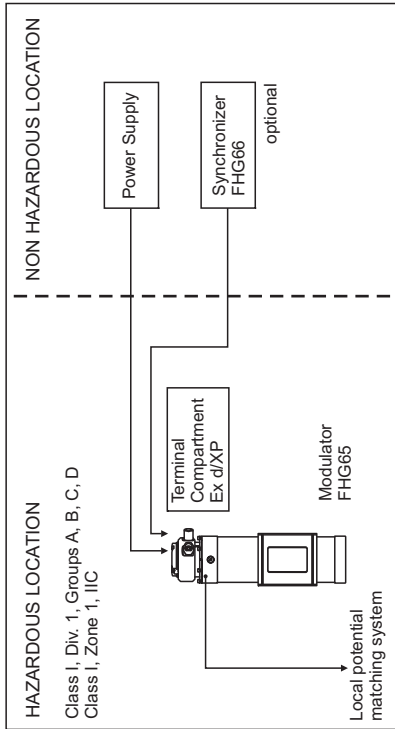
Power supply	(1) L+ (2) L-	18...36 VDC
Signal circuit SYNC IN (optional)	(3) + (4) -	For connection to Synchronizer FHG66 only
Protective conductor terminal	⊕	

EXPLOSION PROOF
Class I, Div. 1, Groups A, B, C, D or Zone 1, IIC

1. Install per National Electrical Code (NEC).
2. Control room equipment must not use or generate over 250 V.
3. Supply wires shall be installed in conduit in accordance with the NEC.
4. Do not open the terminal compartment if the supply voltage is switched on and a combustible atmosphere is present. If a combustible atmosphere is present, wait 60 minutes after switching off the supply voltage, before opening the cover.
5. Use supply wires suitable for 5 K above surrounding ambient.
6. SEAL REQUIRED AT ENCLOSURE WALL.

Class II, Div. 1, Groups E, F, G, Class III

1. Installation shall be in accordance with NEC using threaded conduits or other wiring methods in accordance with Article 500 through Article 510.
2. Use a dust tight seal at the conduit entry in Class II or III locations.
3. Do not open the terminal compartment if the supply voltage is switched on and a combustible atmosphere is present. If a combustible atmosphere is present, wait 60 minutes after switching off the supply voltage, before opening the cover.
4. Use supply wires suitable for 5 K above surrounding ambient.



Maximum ambient temperature rating	Temperature class
-40°C...+60°C	T5 for -40°C...+60°C
	T6 for -40°C...+55°C
-40°C...+60°C	T6 for -40°C...+55°C
	T5 for -40°C...+60°C
-40°C...+75°C	T6 for -40°C...+55°C
	T5 for -40°C...+60°C
	T4 for -40°C...+75°C

