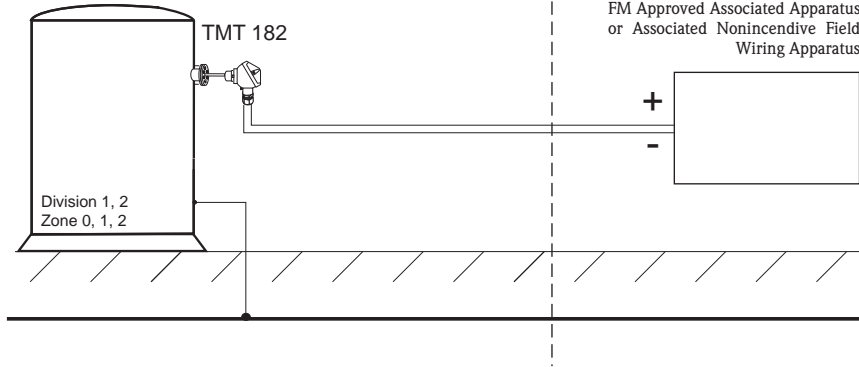


Hazardous (Classified) Location
 Class I / Division 1, 2 / Groups ABCD
 Class I, Zone 0, IIC
 Class I, Zone 1, IIC
 Class I, Zone 2, IIC



Nonhazardous Locations



Installation Notes TMT 182



- FM Approved Apparatus must be installed in accordance with manufacturer instructions.
- Use supply wires suitable for 5°C above surroundings.
- Only simple apparatus should be terminated to the sensor connection.
Simple apparatus are components as defined by the NEC (1.2 V, 0.1 A, 0.25 mW or 20 µJ).
- Warning: Substitution of components may impair intrinsic safety or suitability for Class I, Division 2.

INTRINSICALLY SAFE IS Class I / Div. 1 / Groups ABCD

- Installation should be in accordance with ANSI/ISA RP 12.6.01 "Installation of Intrinsically safe systems for Hazardous (classified) locations" and the National Electrical Code (ANSI/NFPA 70).
- FM Approved Associated Apparatus must meet the following parameters:
 $U_o \leq U_i$ $I_o \leq I_i$ $P_o \leq P_i$ $C_a \geq C_i + C_{cable}$ $L_a \geq L_i + L_{cable}$
 Transmitter entity parameters are as follows:
 U_i or $V_{max} \leq 30$ V DC $C_i = 0$
 I_i or $I_{max} \leq 100$ mA $L_i = 0$
 $P_i \leq 750$ mW
- $V_{oc} + V_{oc}$ of Handheld device < V_{max} , $I_{sc} + I_{sc}$ of Handheld device < I_{max} ,
 $P_o + P_o$ of Handheld device < P_i , $C_a > C_i + C_{cable} + C_i$ of Handheld device,
 $L_a > L_i + L_{cable} + L_i$ of Handheld device, when Programming Handheld device is used.

NONINCENDIVE NI Class I / Div. 2 / Groups ABCD

- Depending on location install per National Electrical Code (NEC) using wiring methods described in article 500 through article 510.
Intrinsic safety barrier not required. $V_{max} \leq 30$ V DC.
- Warning: Do not disconnect equipment unless power has been switched off or the area is known to be nonhazardous.
- Nonincendive field wiring installation
The Nonincendive Field Wiring Circuit Concept allows interconnection of Nonincendive Field Wiring Apparatus with Associated Nonincendive Field Wiring Apparatus or Associated Intrinsically Safe Apparatus or Associated Apparatus not specifically examined in combination as a system using any of the wiring methods permitted for unclassified locations, when $V_{oc} \leq V_{max}$, $C_a \geq C_i + C_{cable}$, $L_a \geq L_i + L_{cable}$.
Transmitter Nonincendive Field Wiring parameters are as follows:
 U_i or $V_{max} \leq 30$ V DC $C_i = 0$ $L_i = 0$
 I_i or I_{max} = see following note below
 For these current controlled circuits, the parameter I_{max} is not required and need not to be aligned with parameter I_{sc} and I_t of the Associated Nonincendive Field Wiring Apparatus or Associated Apparatus.

Functional ratings

These ratings do not supersede Hazardous Location values
 $U_{nom} \leq 30$ V DC $I_{nom} \leq 4$ to 20 mA

Temperature range

T4 -40°C ... +85°C
 T5 -40°C ... +70°C
 T6 -40°C ... +55°C

INTRINSICALLY SAFE IS Class I / Div. 1 / Groups ABCD
 NONINCENDIVE, FIELD WIRING NI Class I / Div. 2 / Groups ABCD

Sensor circuits (Terminals 3...6)

U_o or V_{oc} or $V_t = 6.0$ V I_o or $I_{sc} = 2.5$ mA $P_o = 3.75$ mW
 Group A, B resp. IIC C_o or $C_a = 40$ µF L_o or $L_a = 100$ mH
 Group C, D resp. IIB, IIA C_o or $C_a = 1000$ µF L_o or $L_a = 100$ mH

	Approved Kellermann	Date (yyyy-mm-dd) 2001-04-24	Drawing No. 14 06 00 111	Dwg.rev. A	Revision no. T04n04	Revision date (yyyy-mm-dd) 2004-11-20	Name Meroth	Material 510 04842 ZD 014R/09/en/11.04	Endress+Hauser
Volume (mm³)	Designed Kellermann	Date (yyyy-mm-dd) 2001-04-24	Unit ITEMP TMT182	Scale 1:1	Title CONTROL DRAWING FM IS, NI		Series		
Refer to protection notice ISO 16016	Edge of working parts ISO 13715	Geometrical tolerancing ISO 2768-mH-E	Part No. -	Format A4			Objekt version 1 of 1	Sheet 1 of 1	

Endress + Hauser Wetzer
 GmbH+Co. KG Nesselwang / Germany