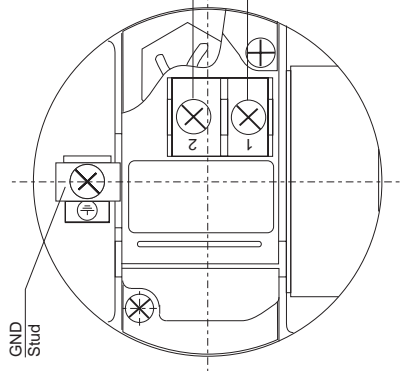


HAZARDOUS AREA

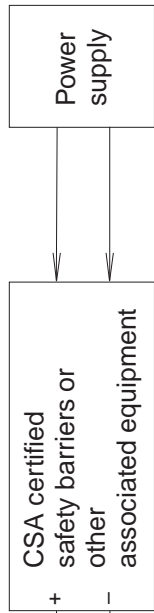
Class I, Groups A, B, C, D
Class II, Groups E, F, G
Class III



FEC 12 in T3
Standard enclosure

Input
30 Vdc
120 mA
Output
4-20 mA

NON HAZARDOUS AREA



Notes

Division 1 installation

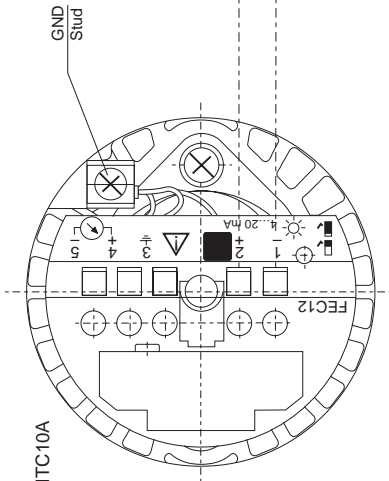
- Control room equipment may not use or generate over 125 Vrms.
- Install per the Canadian electrical code
- Warning: Substitution of components may impair intrinsic safety.
Avertissement: La substitution de composants peut compromettre la sécurité intrinsèque.
Warning: Open circuit before removing cover.
Avertissement: Ouvrir le circuit avant d'enlever le couvercle.
- Ex ia is defined as intrinsically safe / sécurité intrinsèque.
- For entity installation use CSA certified safety barrier or other associated equipment that satisfy the following conditions: $V_{oc} \leq V_{max}$, $I_{sc} \leq I_{max}$, $C_a \geq C_i + C_{cable}$, $L_a \geq L_i + L_{cable}$

Transmitter entity parameters are as follows:

Vmax (V)	I _{max} (mA)	C _i (nF)	L _i (µH)
30	120	20	0

Division 2 installation

- For system installation Use CSA certified safety barriers as follows:
(a) 28 V / 300 Ω + Ground or
(b) 28 V / 300 Ω + 28 V / Diode or
(c) 28 V / 300 Ω + 10 V / 50 Ω



FEC 12 in
F6 / F7 (= F10) / F8 / HTC10A
Enclosure

Input
30 Vdc
120 mA
Output
4-20 mA

Division 2 installation

- Install per Canadian electrical code using threaded metal conduit.
- Warning: Explosion hazard - do not disconnect equipment unless power has been switched off or the area is known to be non-hazardous.
Avertissement: Risque d'explosion - avant de déconnecter l'équipement, couper le courant ou s'assurer que l'emplacement est désigné non dangereux.
Warning: Explosion hazard - substitution of components may impair suitability for Class I, Division 2.
Avertissement: Risque d'explosion - la substitution de composants peut rendre ce matériel inacceptable pour les emplacements de Classe I, Division 2.

Class II installation

Partly insulated probes Type DC16T..., DC26T... and DC12TA.6... are certified for Class II, Group G and coal dust, Class III and Type 4X enclosure only.

ZD 007F/00/en/05.98/EHF
CSA / B 05.02.98



960347-1034

Installation drawing (IS+Div. 2)
960347-1034 B

Multicap DC..A., DC..TA.
+FEC 12

Endress + Hauser

