

System Components

Racksyst field housing

Robust protective housing IP 65
With 1/2 19" rack for Racksyst cards, cassettes
and other Europa cards



Applications

- The Racksyst field housing provides protection against moisture, dust and corrosive atmospheres for 42 pitch units. This means that up to six continuous modules or ten limit switches (or mixed) can be installed.
- The connecting area is immediately accessible from the front and allows for simple cable connection.
- The eight cable fittings (Pg 16 and Pg 29) are practical for industrial installation and therefore there are no space problems with the cables.
- Robust, practical screwed terminals (22 or 44) can be clearly seen.
- Explosion-hazardous and non-explosion hazardous terminals are separate.

Features and Benefits

- The robust aluminium housing allows installation of Racksyst instruments (and other Europa cards) in harsh ambient conditions.
- The housing has IP 65 protection and therefore is not affected by jets of water. This means it can be installed in wet areas or in the open without the need for further protective measures.
- All readings and operating elements are visible through a window.
- The metal housing ensures good heat transfer and at the same time protects against electromagnetic interference e. g. motors, radio equipment, high voltages etc.
- The Racksyst field housing is mounted and wired according to your specific requirements.

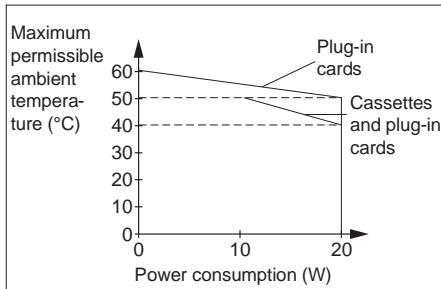
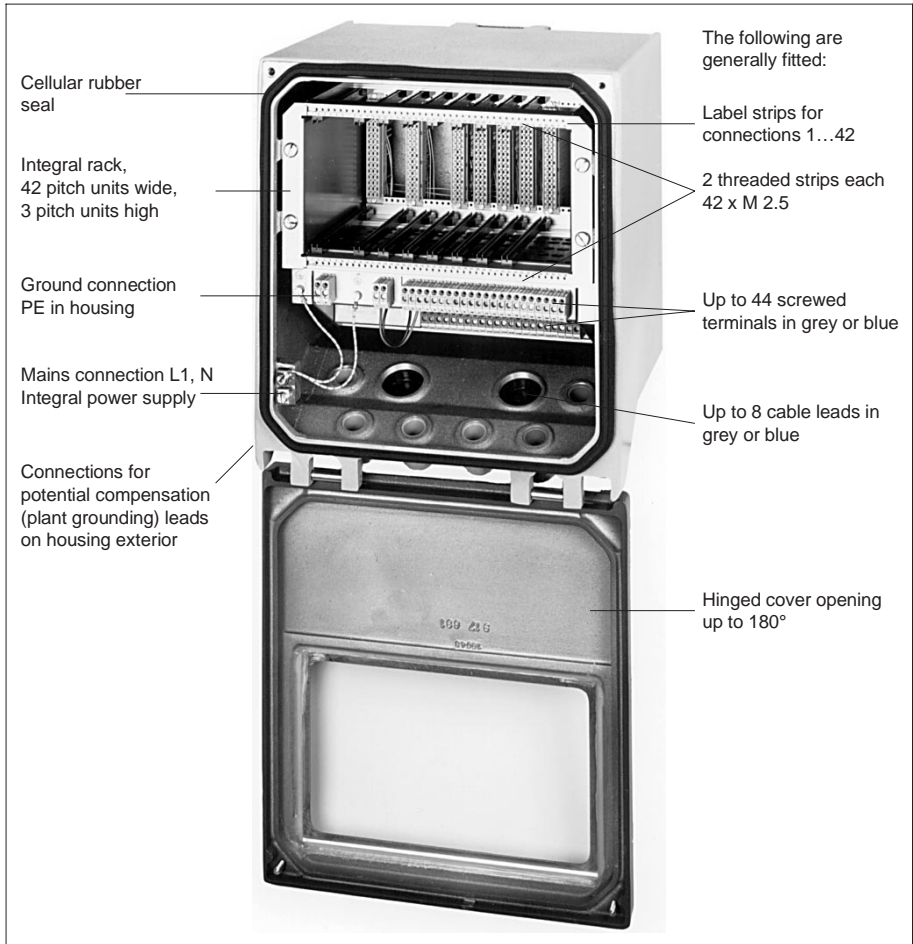
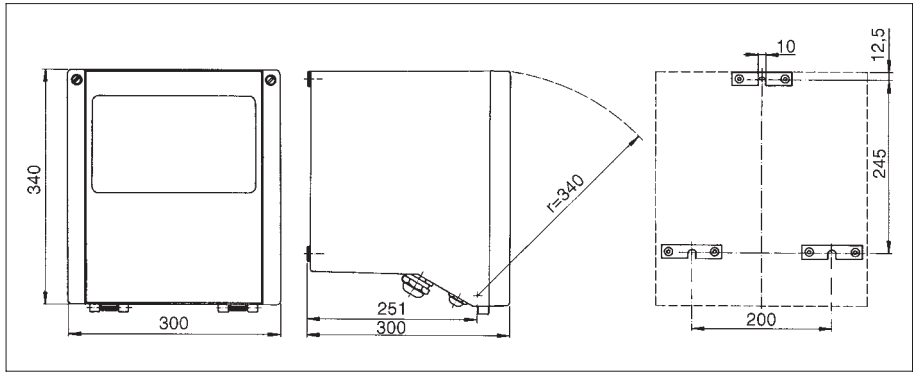
Endress + Hauser

Nothing beats know-how



Technical Data

- Housing: cast aluminium (Al Si g Mg), with transparent polycarbonate window
- Colour: grey housing (RAL 7001), black cover (RAL 7016)
- Seal: cellular rubber
- Ingress protection: IP 65 to DIN 40 050
- Bracket: 1.4301
- Cover clamp: 1.4310
- Rack: 42 pitch units wide, 3 pitch units high to DIN 41 494. For plug-in boards with connecting strips to DIN 41 612
- Cable leads: 6 x Pg 16, 2 x Pg 29, blue or grey
- Electrical connection: up to 44 screwed terminals, grey or blue
- Cable core diameter: max. 1 x 2.5 mm² or 2 x 1.5 mm², fine core
- Internal wiring: wire-wrap carried out by Endress+Hauser on request
- Power supply: installed on request
- Input voltage: 110 V...127 V or 220 V...240 V, 50/60 Hz
- Output: U=24 V, P=10 W or 20 W
Maximum ambient temperature depends on power consumption of instruments installed
- Control specifications on rack: as requested
- Weight: approx. 12 kg



Endress+Hauser
 GmbH+Co.
 Instruments International
 P.O. Box 2222
 D-79574 Weil am Rhein
 Germany
 Tel. (07621) 975-02
 Tx 773926
 Fax (07621) 975345
<http://www.endress.com>

Endress + Hauser

Nothing beats know-how

