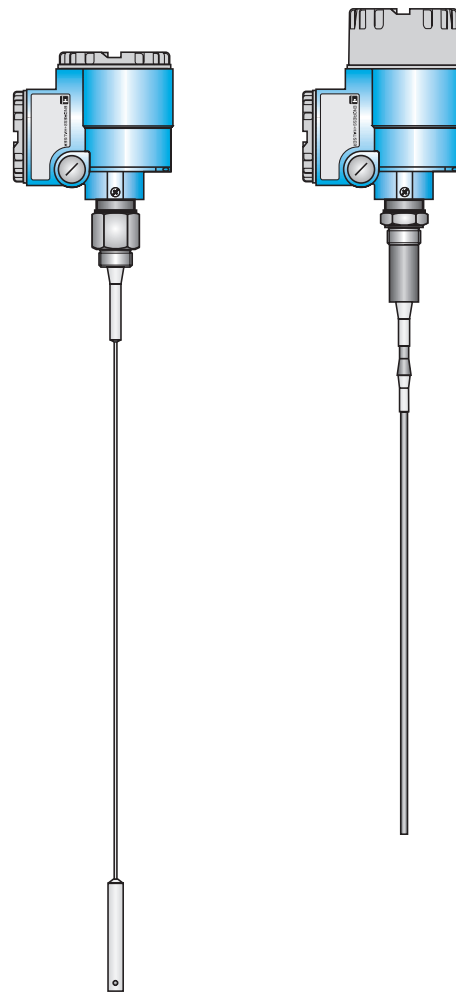
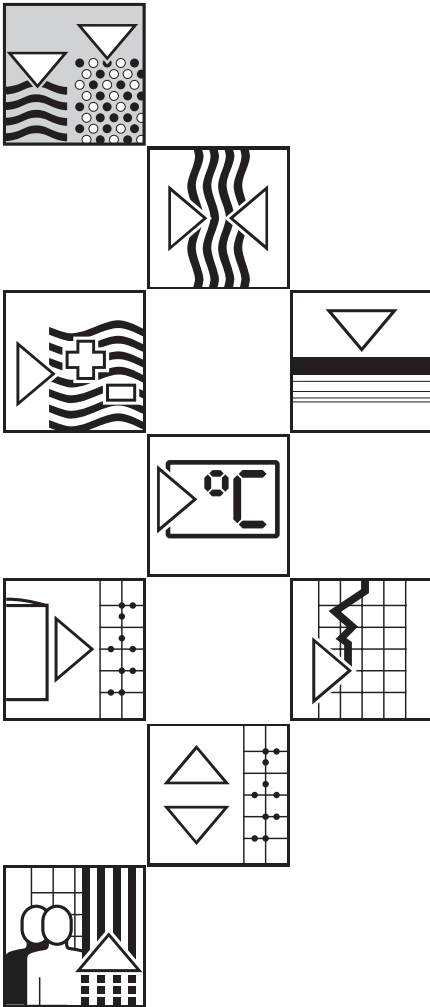


# *multicap* DC 11/16/21/26 EN DC 11/16/21/26 ES Level Probes

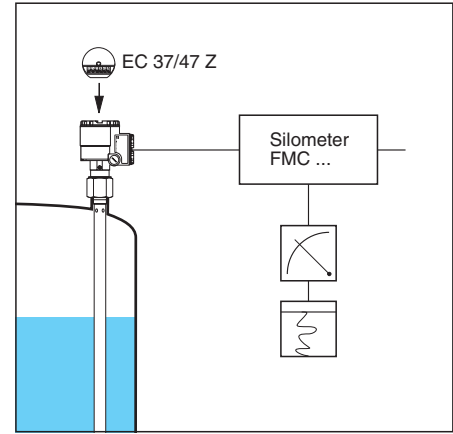
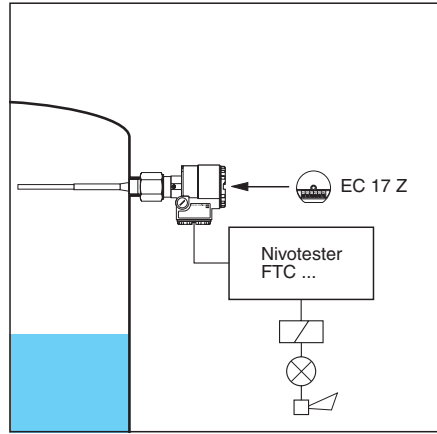
## Operating Instructions



# Measuring System

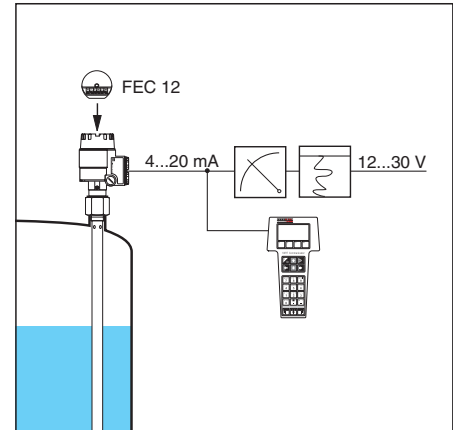
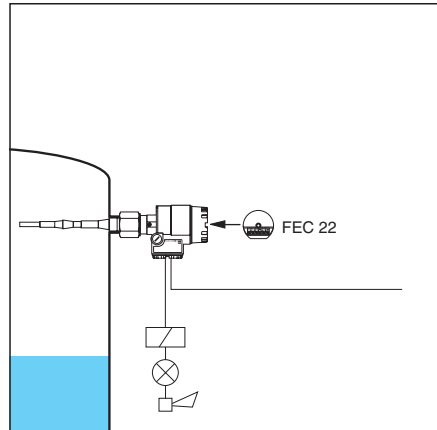
Left:  
Limit detection with  
separate Nivotester  
switching unit

Right:  
Level measurement with  
separate Silometer  
transmitter

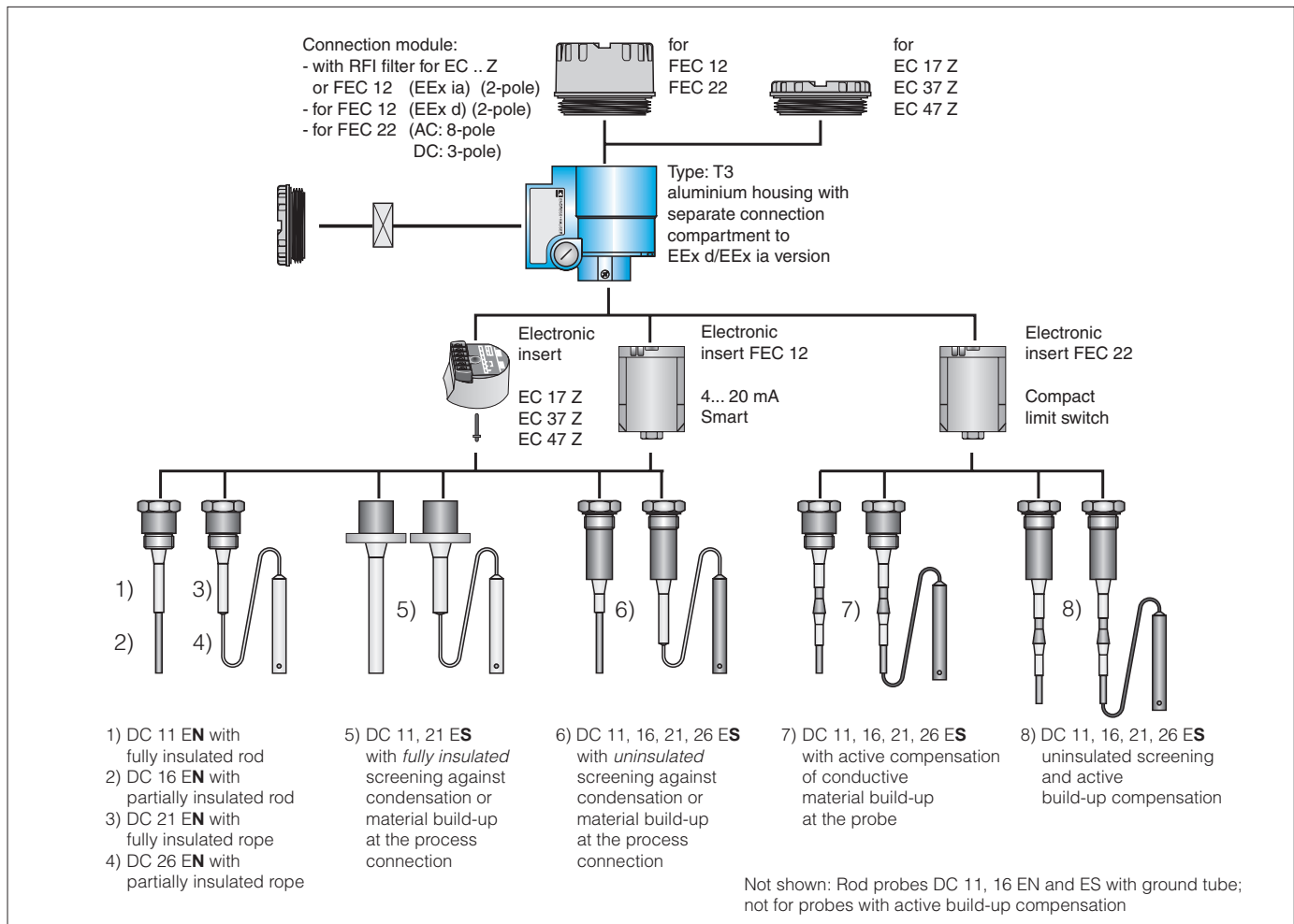


Left:  
Compact level switch  
with relay or transistor  
output

Right:  
Compact level  
measurement system  
with standard 4.20 mA  
current output and  
superimposed  
communications signal.  
The FEC 12 is a "Smart  
electronic insert" which  
allows remote calibration  
over two-wire cabling  
(HART protocol)



# Probe Selection



## Notes on Safety

### Approved Usage

Multicap capacitance probes are designed for level measurement or limit detection in tanks containing liquids or small silos containing light bulk solids. They have been designed to operate safely in accordance with current technical and safety standards, and must be installed by qualified personnel in accordance with the instructions which follow.

The manufacturer accepts no responsibility for any damage arising from incorrect use, installation or operation of the equipment. Changes or modifications not expressly approved in the following instructions or by the bodies responsible for compliance may make the user's authority to operate the equipment null and void.

### Personnel

The equipment may be installed, commissioned and maintained by authorised personnel only.

The instructions which follow must have been read and understood before the equipment is installed.

### Explosion Hazardous Areas

When installing equipment in explosion hazardous areas the instructions included in the accompanying certification as well as any local standards must be observed.

Please note that where the quoted technical data differs from that in the certificate, the certificate applies.

### Operating Conditions

Before installing the probe, check that it is suitable for the operating conditions to be encountered, in particular:

- the chemical resistance of all probe materials
- the permitted operating temperature and pressure
- the approvals for use in explosion hazardous areas.

### Unpacking

To avoid damage to the probe, remove the packaging on-site just before mounting.

Compare the code on the nameplate of the probe with the product designation on Page 14 ... 15 to ensure that the correct probe is mounted.

Check the probe length (for shortening see page 5).

## Preparations for Installation

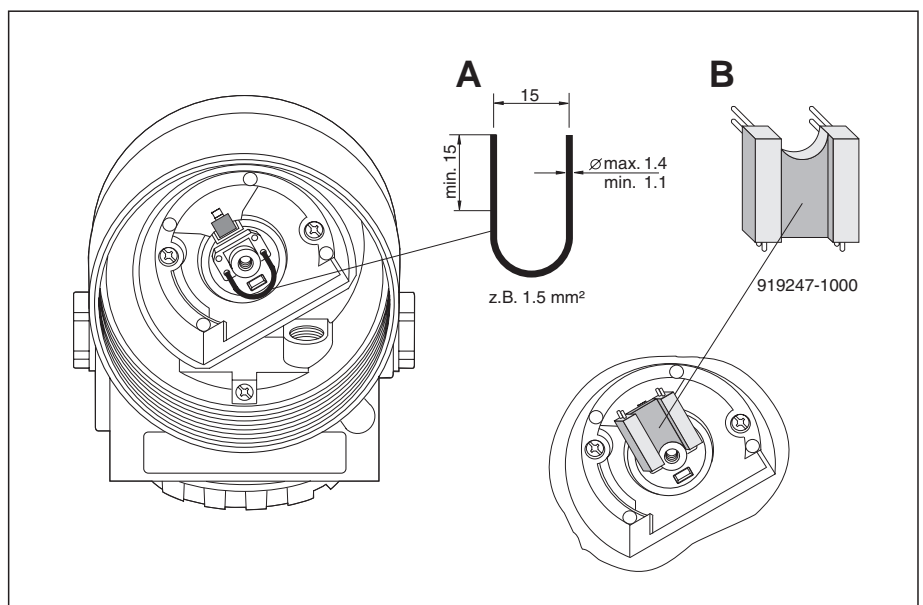
When installing in explosion hazardous areas observe all national and local regulations as well as the specifications in the certificate.

When the electronic insert is not installed, connect the probe terminal in the housing to the ground terminal.

Possibilities for connection:  
Insert plug or wire jumper in both sockets - to be found adjacent to the central thread.

Before the electronic insert is installed, remove the plug or jumper.

Grounding the probe rod or rope in the housing:  
A Jumper, e.g. made of uninsulated wire, 1.5 mm<sup>2</sup>  
B Plug: supplied with probes without electronic insert



# Mounting

## Mounting the probe

### Protect the insulation

Ensure that the insulation of the probe is not damaged when inserting the probe through the process connection of the vessel.

### Probe with Triclamp, sanitary coupling or flange

Use a sealing material suitable for the application.

If the flange is PTFE-cladded, then this is generally a suitable seal up to the permitted operating pressure.

### Probe with thread

#### – G 1½ A (parallel):

Use the elastomer/fibre seal provided or any other chemically resistant seal which can withstand temperatures up to 300°C.

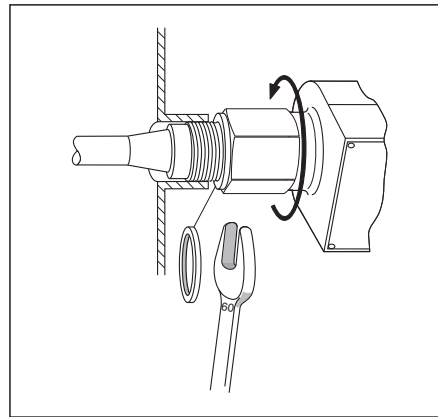
#### – 1½ - 11½ NPT (tapered):

Wrap suitable sealing material around the thread.

– When tightening, rotate the probe at the hexagonal nut only, not at the housing!

– For probes with a parallel thread and seal:

a torque of 300 Nm is sufficient for a tight seal against pressures in the vessel up to 50 bar. Maximum permissible torque 600 Nm.



Probe with parallel thread G 1½ A and with sealing ring  
Tighten at the hexagonal nut to max. 600 N

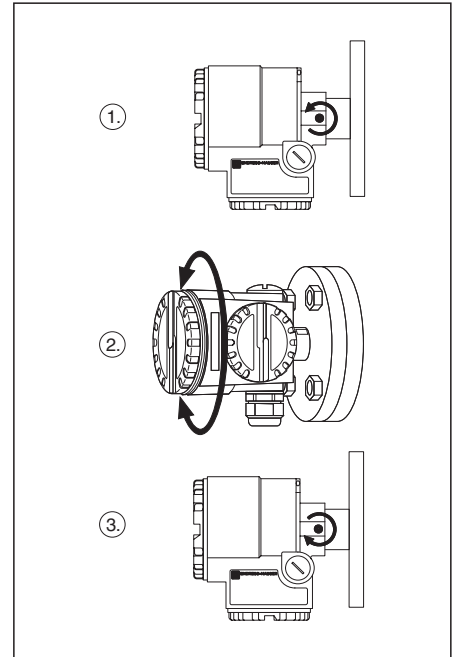
Do not tighten by rotating the housing!

## Rotating the housing

The housing can be rotated to reposition the cable entry.

In order to provide optimal protection from the entry of moisture, particularly when the probe is mounted outdoors, we strongly recommend:

- A probe mounted laterally in the tank with one cable entry, should have the cable entry pointing downwards
- A probe mounted laterally in the tank with two cable entries, should have both cable entries positioned horizontally



### Procedure:

- 1) Loosen the Phillips screw in the base of the housing
- 2) The housing can now be rotated 280° from one stop to the other
- 3) Retighten the Phillips screw in the base of the housing.

## Sealing the probe housing

It is important that no moisture enters the probe housing when mounting the probe, connecting the electronic insert or when operating the probe.

The housing cover and the cable entries must, therefore, always be screwed tight.

The O-ring seals and the thread of the housing cover are both smeared with lubricant when delivered.

If the lubricant has been removed, it must be replaced e.g. with silicone or graphite, so that the cover is an air-tight seal and the aluminium thread does not seize when screwed down.

Under no circumstances should an oil-based lubricant be used as this would destroy the O-ring.

## Altering the Probe Length

A *fully insulated* rod probe cannot be shortened or lengthened.

### Shortening a rope probe

See instructions supplied with the rope shortening kit.

### Shortening a partly insulated rod probe

- Clamp the probe by the uninsulated rod, not by the insulation and not by the process connection so that the rod connection is not under strain and cannot be damaged.
- Saw off rod and deburr
- If the uninsulated rod is less than 100 mm, shorten the insulation accordingly.
- Change the length specification stated on the nameplate

### Lengthening a partially insulated rod probe

- First remove the electronic insert!
- Weld on a section of rod or tube of the same material.

*Note:*

- Do not damage or overheat
- The weld must be as rugged and corrosion-resistant as the probe rod itself
- A longer or thicker probe rod is subjected to higher mechanical loads by the movement of material, the maximum lateral load will be reduced
- Do not exceed the permitted length of the probe. See appropriate certificate
- Change the length specification stated on the nameplate
- Replace the electronic insert

## Connection

Refer to the appropriate Technical Information for connecting the electronic insert EC or FEC in the probe housing (supplementary documentation see page 6).

The designation of the terminals in the separate connection compartment of the housing is the same as that on the built-in electronic insert.

If the process connection of the probe is insulated against the metal container (e.g. sealing material): connect the ground terminal of the probe to the container with the aid of a short cable.

Mounting in a plastic container: connect the ground terminal of the probe to the counter-electrode with the aid of a short cable.

Ensure that the probe housing is tightly sealed.

## Calibration

Refer to the operating manual for the transmitter connected or the electronic insert FEC 12 or FEC 22 which is installed.

## Replacing components

### Replacing the electronic insert

- Only electronic inserts of the same type can be interchanged.
- Switch off all power to the probe
  - Remove connections on the electronic insert
  - Loosen the central screw or slotted nut in the electronic insert
  - Remove the electronic insert from the housing\*
  - Install the electronic insert
  - Connect cables
  - Switch on the power supplies again
  - Recalibrate the measuring system

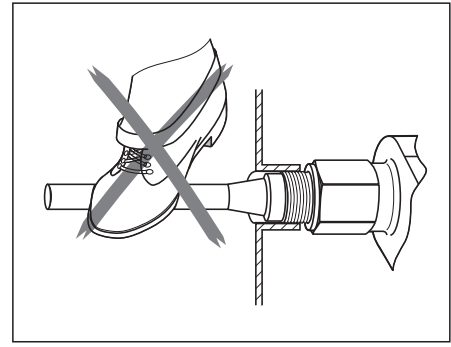
\* If the electronic insert is not to be re-installed immediately, connect probe terminal in housing to ground terminal.  
See diagram on page 3 for details.

## Maintenance

- Cleaning and inspecting the vessel:
- Check the probe insulation for damage
  - Remove material build-up especially at the process connection
  - Check the housing cover and the cable entry for tightness.

### Caution!

The probe can be damaged if used as a grip or support when inspecting the container.



## Return of Goods

If a probe is to be returned to Endress+Hauser for repair or disposal, then all residue must be removed from it. This is especially important if the product measured can impair health.

Please do not return goods if the last traces of dangerous products cannot be removed, e.g. product has penetrated into fissures or diffused into plastic parts.

## Disposal

### Packaging

All sales and transportation packaging from Endress+Hauser is produced in conformance to the regulations governing packaging for reuse and recycling.

### Instruments

For a small charge, Endress+Hauser will accept and recycle any instruments manufactured in its own E+H production program. These will then be disposed of according to the German regulations covering the disposal of electronics. Delivery to Endress+Hauser, Hauptstraße 1, 79689 Maulburg, Germany.

## Accessories

- Slip-on sheet for partially insulated probes for increasing the switching safety for limit detection see Technical Information "Probe accessories"
- Rope shortening kit for fully insulated probes
- Rope shortening kit for partially insulated probes

## Supplementary Documentation

### Technical Information

- Probe accessories  
Technical Information TI 229F/00/en
- Electronic Insert FEC 12  
Technical Information TI 250F/00/en
- Electronic Insert FEC 22  
Technical Information TI 251F/00/en
- Electronic Insert EC 17 Z  
Technical Information TI 268F/00/en
- Electronic Insert EC 37 Z, EC 47 Z  
Technical Information TI 271F/00/en
- Transmitters for limit detection and continuous level measurement on request

### Certificates

See product structure on page 14.

# Dimensions

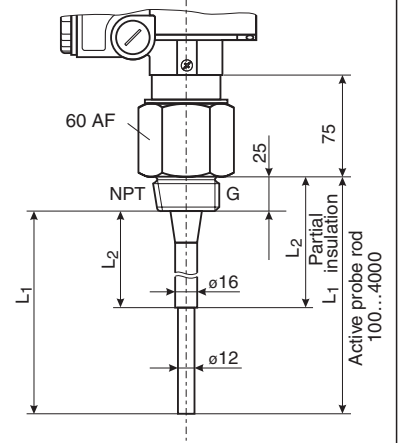
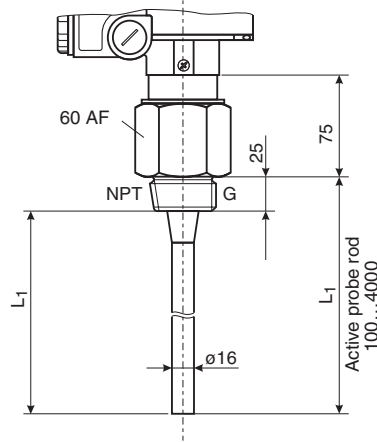
## DC 11/16/21/26 EN

For all probes on this page:  
 Those on the left have threads 1½ - 11½ NPT and those on the right threads G 1½ A;  
 see Page 10 for other process connections and housing dimensions

L1 = Length of active probe rod or probe rope  
 L2 = Length of partial insulation  
 minimum: 75 mm,  
 maximum: length L1 minus 50 mm

Left:  
 DC 11 EN,  
 fully insulated rod probe

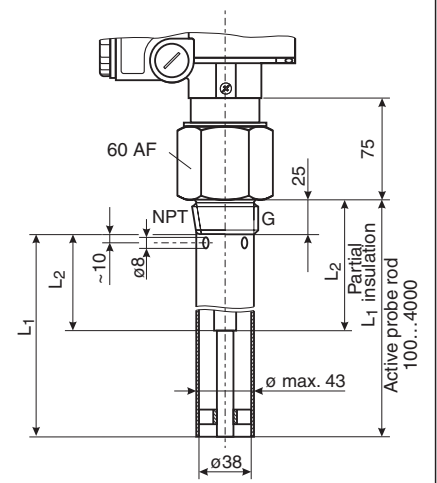
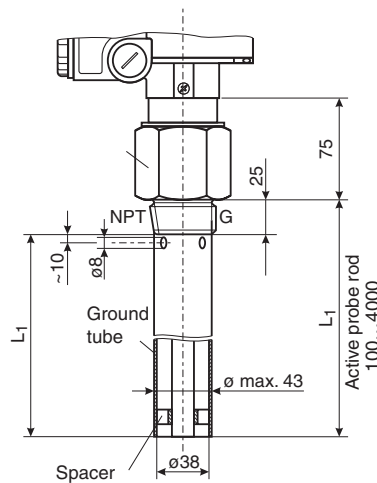
Right:  
 DC 16 EN,  
 partially insulated rod probe



Left:  
 DC 11 EN,  
 fully insulated rod probe  
 with ground tube

Right:  
 DC 16 EN,  
 partially insulated rod probe  
 with ground tube

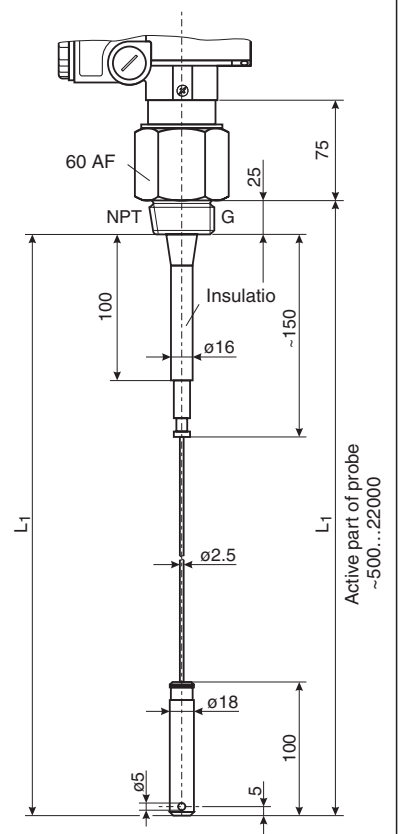
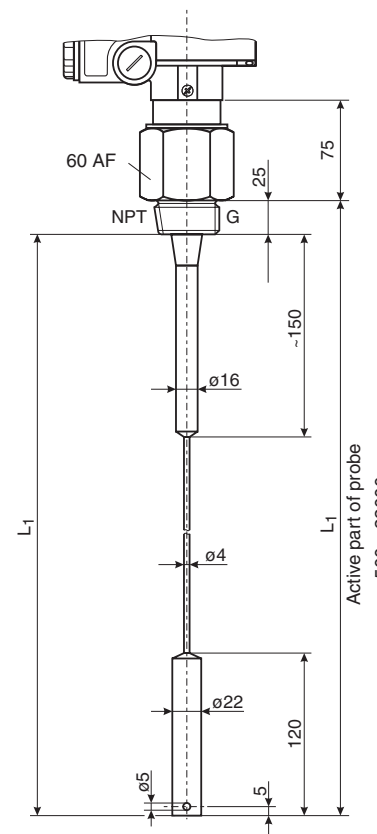
Spacers  
 all 1000 mm, of PFA



Left:  
 DC 21 EN,  
 fully insulated rope probe

Right:  
 DC 26 EN,  
 partially insulated rope probe

Tensioning weight always  
 with anchor hole



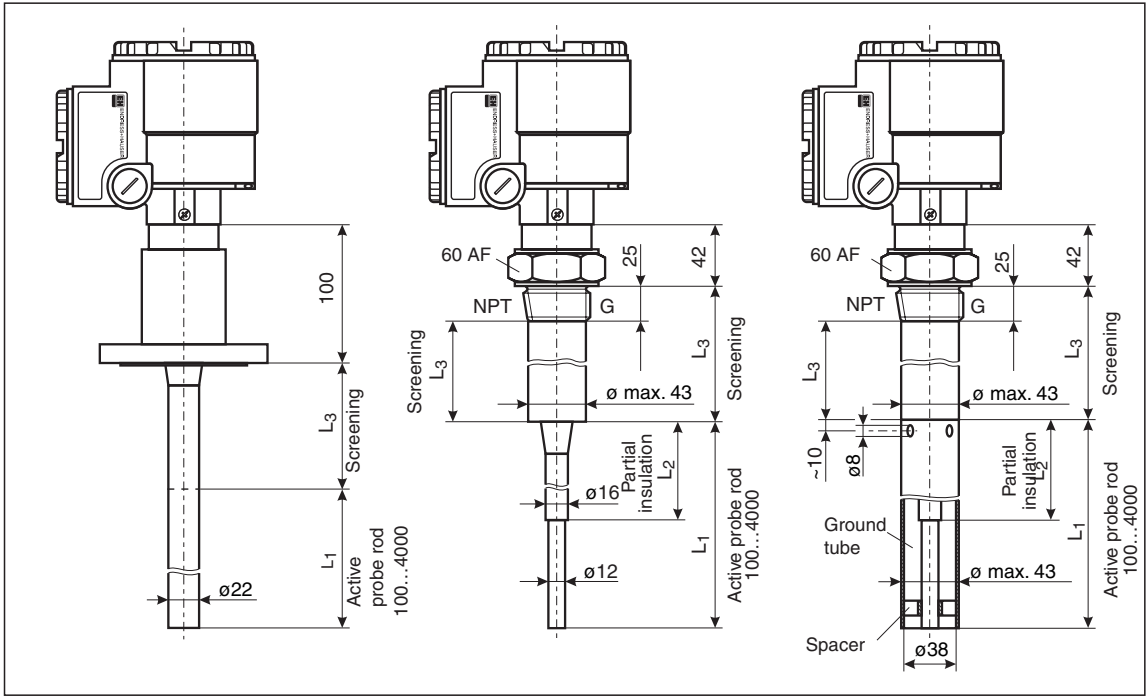
# Dimensions

DC 11/16/21/26 ES

Probe with screening L3 against condensation and material build-up at the process connection (inactive section)

For probes with threaded boss on this page: Those on the left with thread 1½ - 11½ NPT and on the right with thread G 1½ A; see Page 10 for other process connections

L1 = Length of active probe rod or probe rope  
 L2 = Length of partial insulation min.: 75 mm, max.: length L1 minus 50 mm



Above left: DC 11 ES, fully insulated rod probe with fully insulated screening and plastic coated flange

Above, centre and right: DC 11 ES, fully insulated rod probes with uninsulated screening, with partially insulated rod with full insulation also available:

DC 11 ES, fully insulated  
 DC 16 ES, partially

With ground tube DC 11 ES, fully insulated  
 DC 16 ES, partially insulated

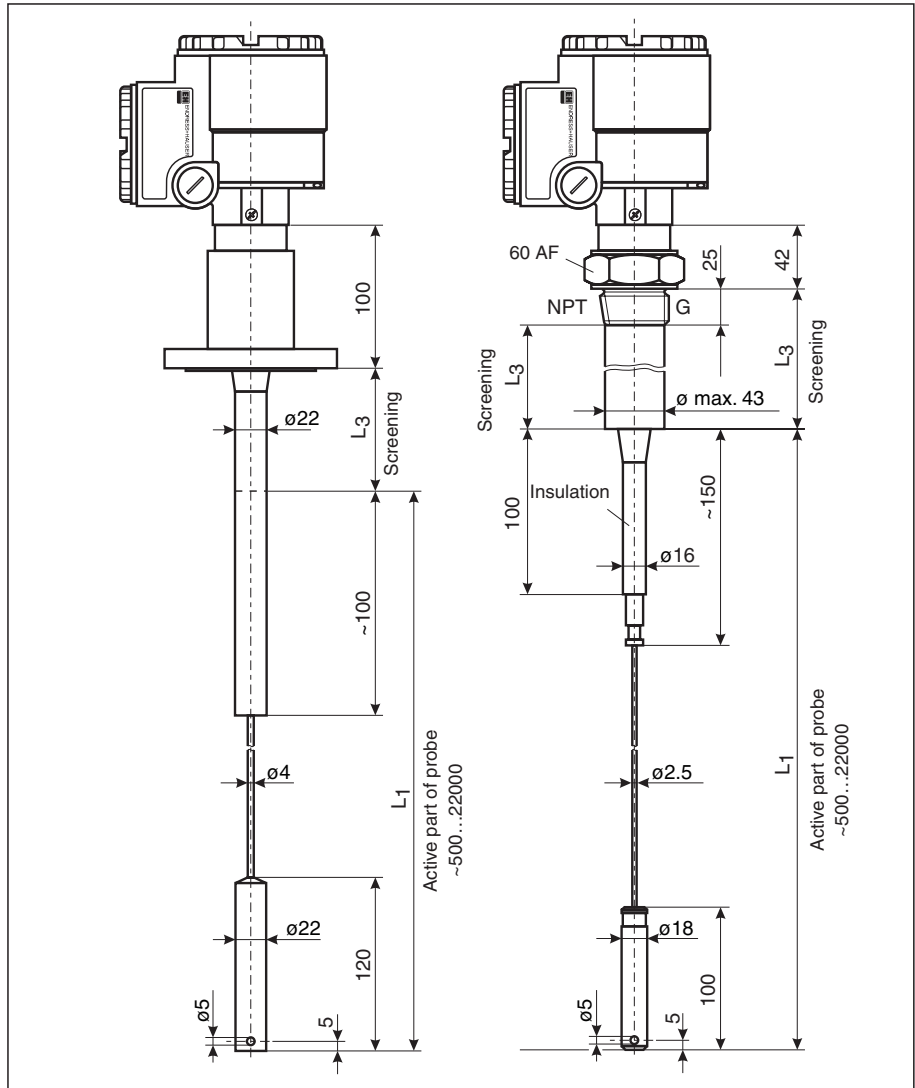
Left: DC 21 ES, fully insulated rope probe with fully insulated screening and plastic coated flange

Right: DC 26 ES, partially insulated rope probe with uninsulated screening, uninsulated rope and uninsulated tensioning weight (as shown)

With fully insulated active section this probe is designated DC 21 ES

**L3**  
 The screening (protection against condensation) is available in three standard lengths:  
 L3 = 150 mm  
 L3 = 250 mm  
 L3 = 500 mm

Other lengths on request  
 L3 min. 100 mm  
 L3 max. 4000 mm (uninsulated screening)  
 L3 max. 2000 mm (fully insulated screening)





# Dimensions

## DC 11/16/21/26 ES (Continued)

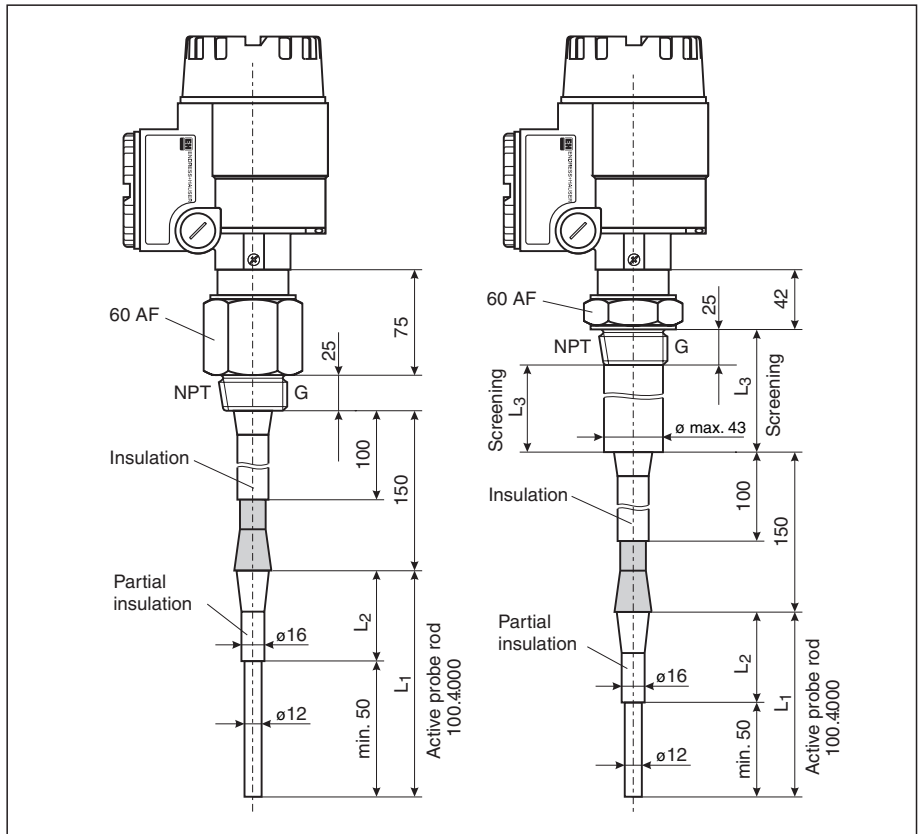
**Probes with active build-up compensation (active guard)**  
(for limit detection, length always 150 mm)  
Left:

Partially insulated probes shown but fully insulated probes also available where the active part of build-up compensation is always uninsulated.  
Not available with ground tube.

Threaded versions: G 1½ A  
1½ - 11½ NPT

Left:  
rod probe DC 11 ES  
(fully insulated)  
or DC 16 ES  
(partially insulated)

Right:  
active build-up  
compensation combined  
with screening L3

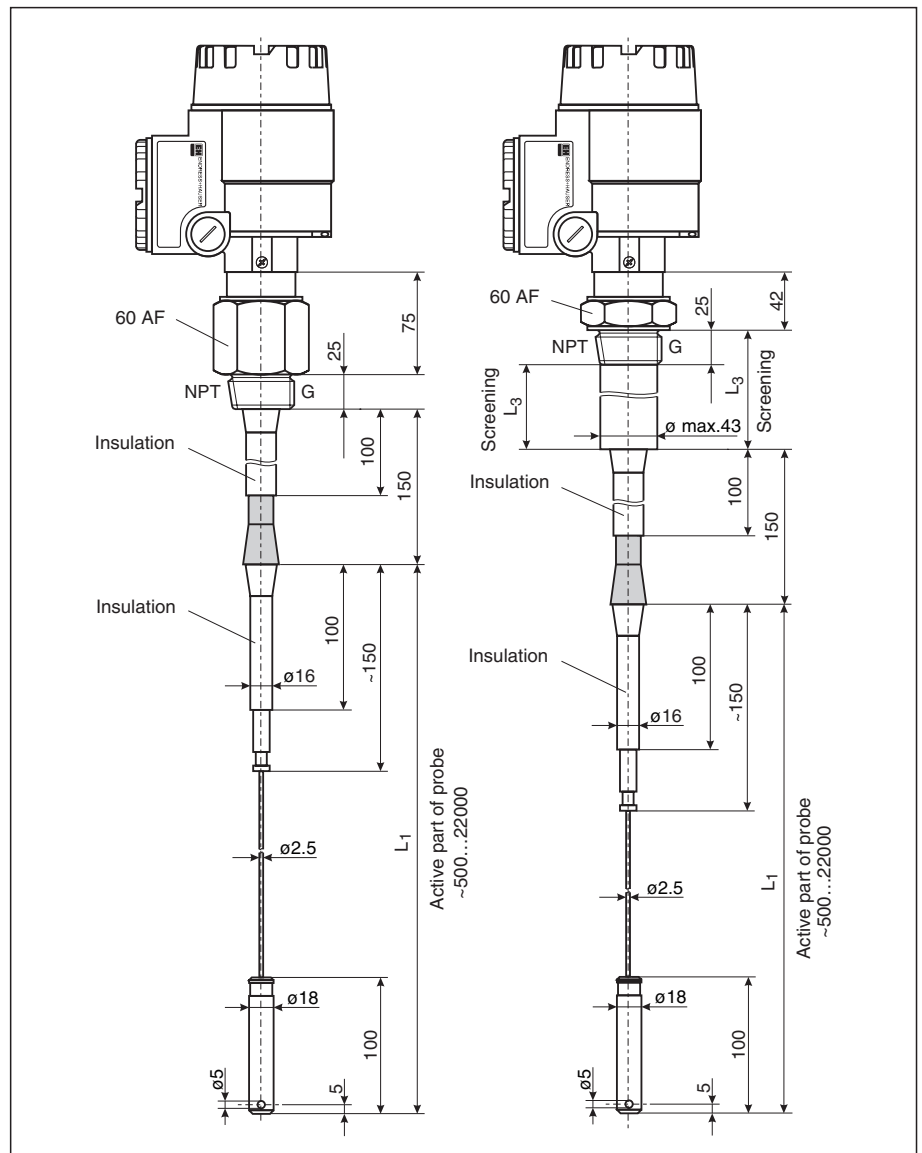


Left:  
rope probe DC 21 ES  
(fully insulated)  
or DC 26 ES  
(partially insulated)

Right:  
active build-up  
compensation combined  
with screening L3

**L3**  
The screening (protection against condensation) is available in three standard lengths:  
L3 = 150 mm  
L3 = 250 mm  
L3 = 500 mm

Other lengths on request  
L3 min. 100 mm  
L3 max. 4000 mm



# Additional Process Connections and Accessories

Other process connections:

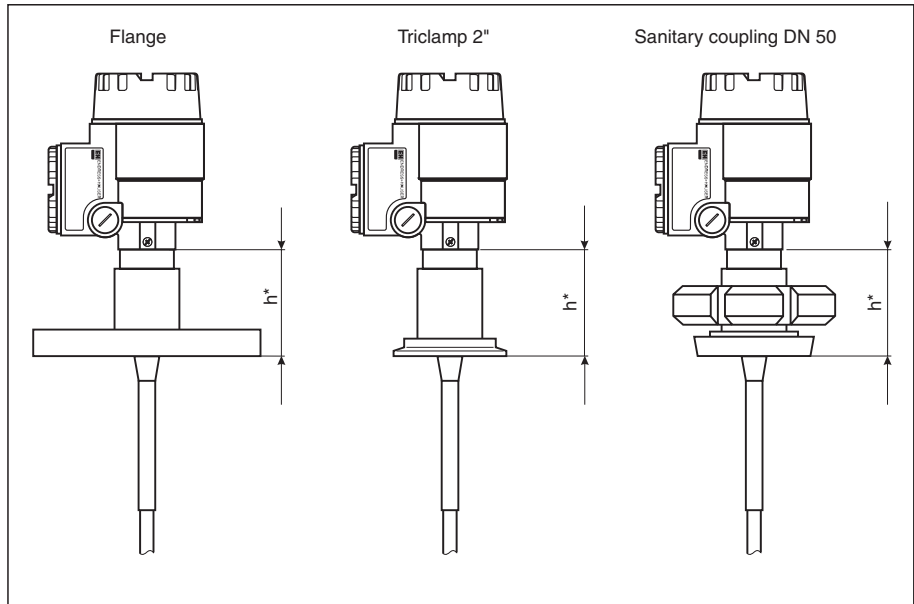
- Flange
- Triclamp 2"
- Sanitary coupling DN 50

\*h = 100 mm for probes

- DC...EN
- DC...ES with fully insulated screening (protection against condensation)
- DC...ES with active build-up compensation

\*h = 47 mm for probes

- DC...ES with uninsulated screening (protection against condensation)
- DC...ES with uninsulated screening and active build-up compensation



Additional equipment:

- A Temperature spacer for probes
- DC...EN
  - DC...ES with fully insulated screening (protection against condensation)
  - DC...ES with active build-up compensation

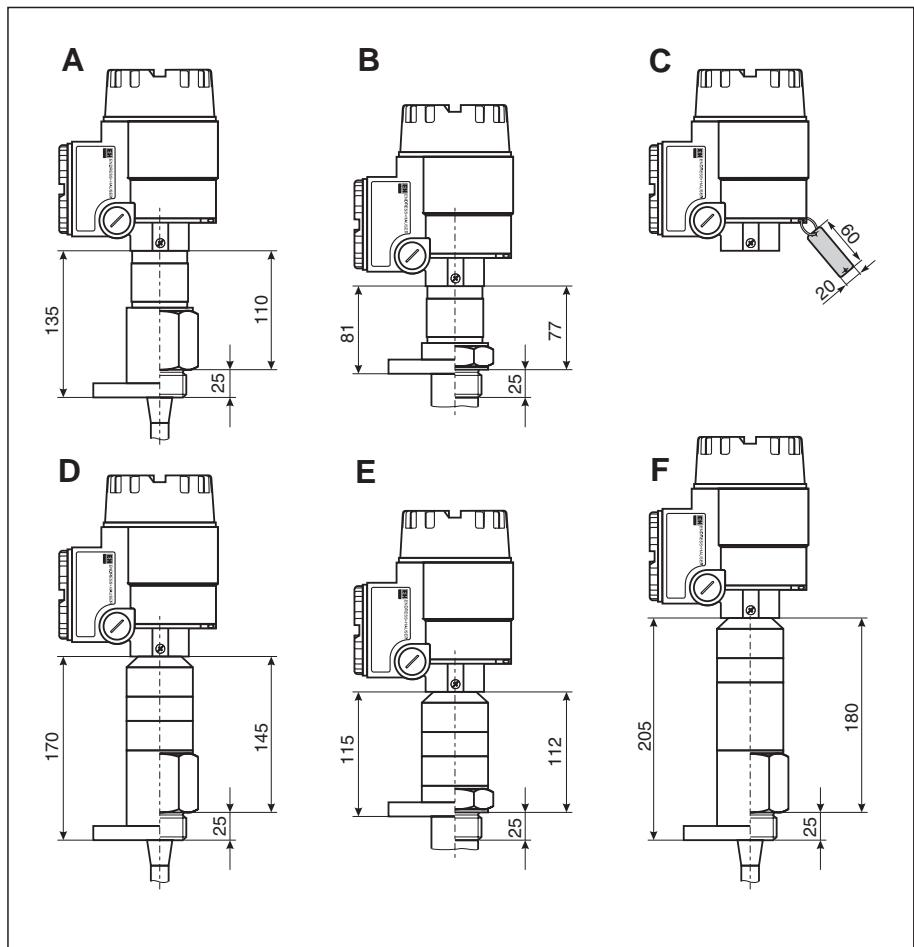
- B Temperature spacer for probes
- DC...ES with uninsulated screening (protection against condensation)
  - DC...ES with uninsulated screening and active build-up compensation

C Corrosion-resistant steel tag

- D Gas-tight gland for probes
- DC...EN
  - DC...ES with active build-up compensation

- E Gas-tight gland for probes
- DC...ES with uninsulated screening (protection against condensation)
  - DC...ES with uninsulated screening and active build-up compensation

- F Gas-tight gland for probes
- DC...ES with fully insulated screening (protection against condensation)

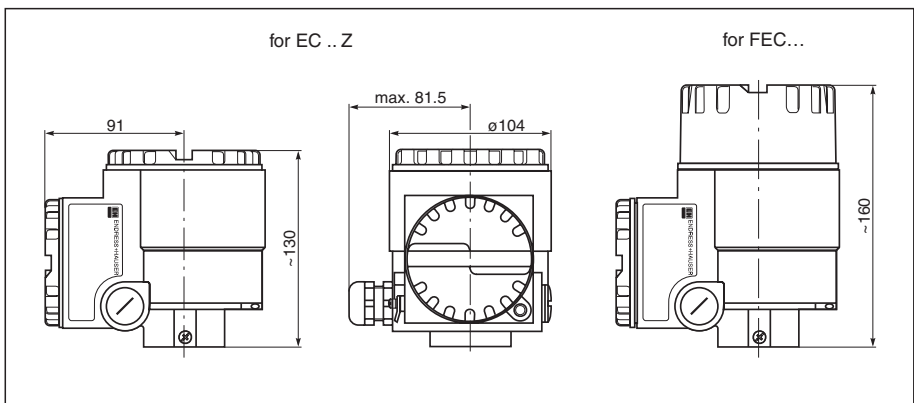


# Housing Dimensions

Housings in aluminium (Type T3) with separate connection compartment;

- RFI filter with small electronic inserts EC 17 Z, EC 37 Z, EC 47 Z and FEC 12 (EEx ia),
- safety barriers with FEC 12 (EEx d),
- terminal connection module for FEC 22

With low cover for small electronic inserts EC .. Z, with raised cover for electronic inserts FEC 12, FEC 22; with two cable entries, one sealed with a blind plug



# Technical Data

## General Information

Manufacturer	Endress+Hauser GmbH+Co. D-79689 Maulburg
Instrument family	Multicap
Instrument types	DC 11, 16, 21, 26 EN / ES

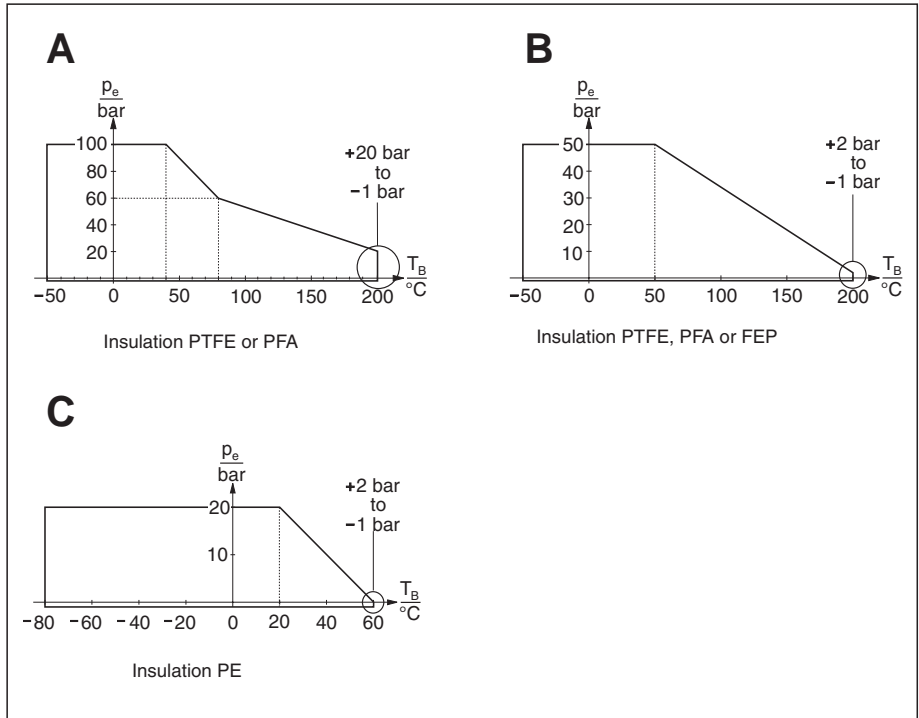
## Operating Data

Operating pressure	to 100 bar, depending on material – see below
Operating temperature	to 200 °C, depending on material – see below

Permitted operating pressures  $p_e$  and temperatures  $T_B$

The graph **A** do not apply to:  
 - DC 21 EN / DC 21 ES,  
 - DC 26 EN / DC 26 ES,  
 - probes with active build-up compensation,  
 - probes with fully insulated screening.

The graph **B** applies to:  
 - DC 21 EN / DC 21 ES,  
 - DC 26 EN / DC 26 ES,  
 - probes with active build-up compensation,  
 - probes with fully insulated screening.

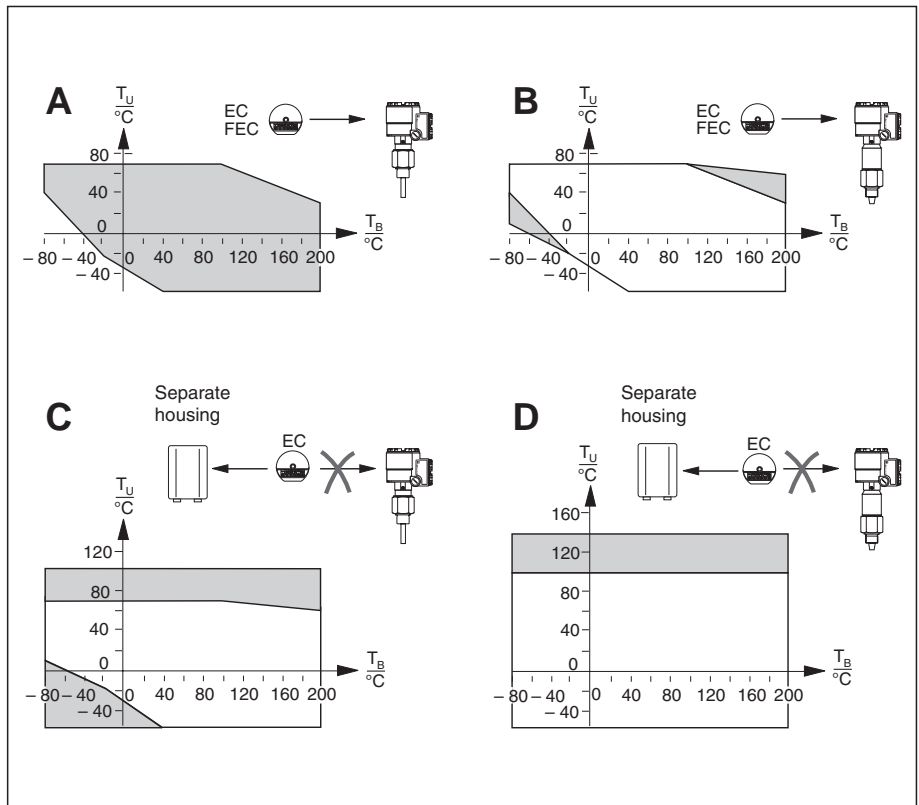


Mounting of the electronic insert as a function of operating temperature  $T_B$  and ambient temperature  $T_U$ :

- A Probe without temperature spacer
- B Probe with temperature spacer or gas-tight gland
- C Electronic insert in separate housing
- D Probe with temperature spacer or gas-tight gland and electronic insert in separate housing

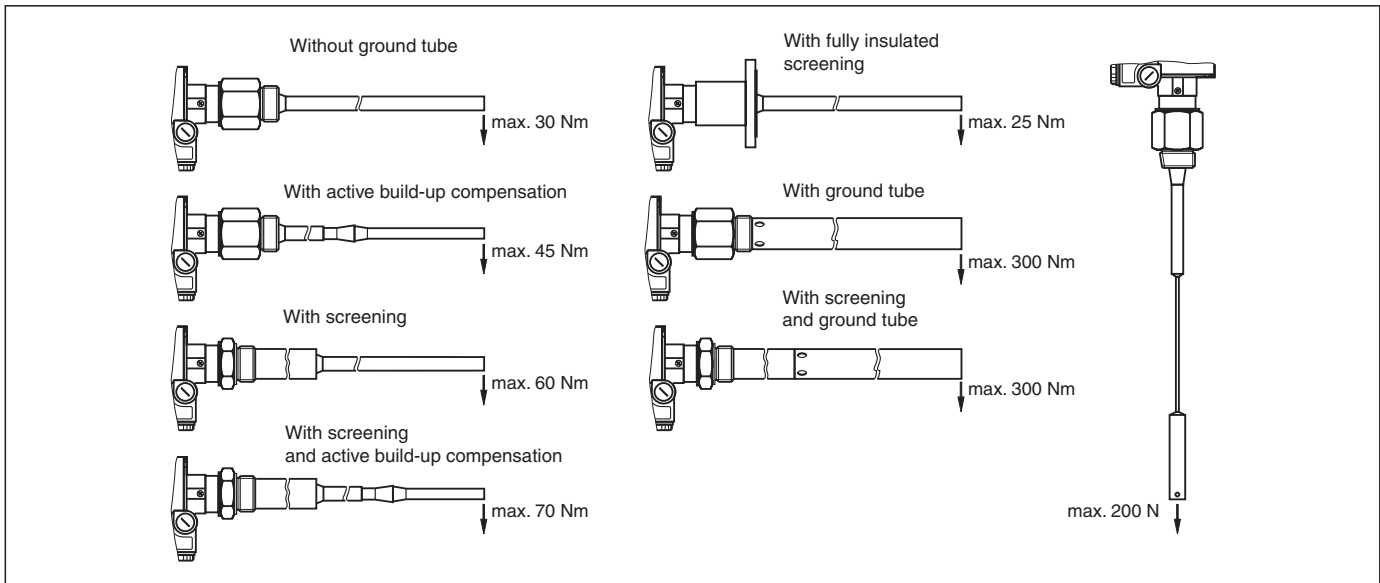
The graphs A and B apply to **all** electronic inserts.

The graphs C and D apply to the small electronic inserts EC 17 Z, EC 37 Z, EC 47 Z



## Other Operating Data

Lateral load on the probe rod	see below
Strain on the probe rope	200 N at 20 °C, static



Permissible lateral load on the probes

### Probe lengths

Total length of a rod probe	min. 100 mm, max. 6000 mm, see dimensions
Total length of a rope probe	min. 500 mm, max. 26000 mm, see dimensions

### Capacitance values of the probe

Basic capacitance:	approx. 30 pF
Temperature spacer:	approx. 20 pF
Air-tight entry:	approx. 20 pF
Active build-up compensation:	approx. 10 pF

### Additional capacitances

Probe 250 mm from a conductive vessel wall	insulated probe rod	in air approx. 1.3 pF/100 mm, in water approx. 38 pF/100 mm
	uninsulated probe rod	in air approx. 1.3 pF/100 mm
	insulated probe rope	in air approx. 1.0 pF/100 mm, in water approx. 20 pF/100 mm
	uninsulated probe rope	in air approx. 1.0 pF/100 mm
	insulated tensioning weight	in air approx. 2 pF in water approx. 60 pF
Rod probe with ground tube	insulated probe rod	in air approx. 5.5 pF/100 mm, in water approx. 35 pF/100 mm
	uninsulated probe rod	in air approx. 5.0 pF/100 mm
Uninsulated screening	approx. 3 pF/100 mm	
Fully insulated screening	approx. 6 pF/100 mm	

### Probe lengths for continuous measurement in conducting liquids

EC with $C_{max.} = 2000$ pF (EC 47 Z, FEC 12)	Rope probe up to 8000 mm (up to 26000 mm in non-conducting liquids) rod probe up to 6000 mm
EC with $C_{max.} = 4000$ pF (EC 37 Z)	Rope probe up to 20000 mm (up to 26000 mm in non-conducting liquids) rod probe up to 6000 mm

## Other Operating Data

### *Accuracy*

Length tolerances	up to 1 m: + 0 mm, -5 mm rod probe, -10 mm rope probe up to 3 m: + 0 mm, -10 mm rod probe, -20 mm rope probe up to 6 m: + 0 mm, -20 mm rod probe, -30 mm rope probe up to 26 m: + 0 mm, -40 mm rope probe
-------------------	---

The following specifications only apply to the capacitance of fully insulated probes when used in conductive liquids.

**The deviation is insignificant for applications in non-conductive materials.**

Linearity error in water	< 1 % at 1m length
Temperature dependence of the probe rod	< 0,1 % per K
Pressure dependence of the probe rod	approx. 0,2 % per bar
Temperature dependence of the probe rope	< 0.1 % per K
Pressure dependence of the probe rope	< 0.1 % per bar

### *Process connections*

Parallel thread G 1½ A	DIN ISO 228/l, with sealing ring 48x55
Tapered thread 1½ - 11½ NPT	ANSI B 1.20.1
DIN flanges without raised face	DIN 2527, Form B
DIN flanges with tongue	DIN 2512, Form F
DIN flanges with groove	DIN 2512, Form N
ANSI flanges	ANSI B 16.5
Sanitary coupling	DIN 11 851
Triclamp coupling	ISO 2852

### *Materials*

Aluminium housing (Type T3)	GD-Al Si 10 Mg, DIN 1725, plastic coated (blue / grey)
Seal for housing cover	O-ring in EPDM (elastomer)
Sealing ring for process connection G 1½ A	Elastomer-fibre, asbestos-free, resistant to oils, solvents, steam, weak acids and alkalis; up to 300 °C, and 100 bar
Temperature spacer	Stainless steel 1.4301 or similar
Gas-tight gland	Stainless steel 1.4301
Further material specifications	see Product Structure on Page 14... 15

# Product Structure

<b>DC 11 EN-</b>	<b>MULTICAP DC 11 EN</b> Fully insulated rod probe for standard applications	Basic weight including G 1½ A process connection and housing, for rope probes with tensioning weight	3,0 kg
<b>DC 16 EN-</b>	<b>MULTICAP DC 16 EN</b> Partially insulated rod probe for standard applications		3,0 kg
<b>DC 21 EN-</b>	<b>MULTICAP DC 21 EN</b> Fully insulated rope probe for standard applications		3,3 kg
<b>DC 26 EN-</b>	<b>MULTICAP DC 26 EN</b> Partially insulated rope probe for standard applications		3,2 kg
<b>DC 11 ES-</b>	<b>MULTICAP DC 11 ES</b> Fully insulated rod probe with protection features		3,0 kg
<b>DC 16 ES-</b>	<b>MULTICAP DC 16 ES</b> Partially insulated rod probe with protection features		3,0 kg
<b>DC 21 ES-</b>	<b>MULTICAP DC 21 ES</b> Fully insulated rope probe with protection features		3,3 kg
<b>DC 26 ES-</b>	<b>MULTICAP DC 26 ES</b> Partially insulated rope probe with protection features		3,2 kg

## Certificate

- A For non-hazardous areas
- B ATEX II 1/2 G, EEx ia IIC T6
- D For non-hazardous areas, Overspill protection to WHG
- E ATEX II 2 G, EEx d [ia] IIC T6
- F ATEX II 1/2 G, EEx ia IIC T6, Overspill protection to WHG
- H ATEX II 3 G, EEx nA II T6
- Y Special version
- 1 ATEX II 2 G, EEx d [ia] IIB T6
- 2 ATEX II 1/2 G, EEx ia IIB T6, Overspill protection to WHG
- 3 ATEX II 1/2 G, EEx ia IIB T6
- 4 ATEX II 2 G, EEx d [ia] IIC T6\*
- 5 ATEX II 1/2 G, EEx ia IIC T6\*, Overspill protection to WHG
- 6 ATEX II 1/2 G, EEx ia IIC T6\*
- 7 ATEX II 3 G, EEx nA II T6\*

\* Note: "Avoid electrostatic charge!"

## Build-up protection

		additional weights
DC 11, 16, 21, 26 EN		
A	Build-up protection not selected	
DC 11, 16, 21, 26 ES		
B	150 mm active guard,	316Ti 0,5 kg
C	150 mm L3 screening,	316Ti 0,3 kg
D	250 mm L3 screening,	316Ti 0,5 kg
E	500 mm L3 screening,	316Ti 1,0 kg
F	.....mm (75 mm...4000 mm), L3 screening,	316Ti 2 kg/m
G	150 mm L3 screening and 150 mm active guard,	316Ti 0,8 kg
H	250 mm L3 screening and 150 mm active guard,	316Ti 1,0 kg
K	500 mm L3 screening and 150 mm, active guard,	316Ti 1,5 kg
L	.....mm (75 mm...4000 mm), L3 screening and 150 mm active guard,	316Ti 2 kg/m + 0,5 kg
1	150 mm active guard,	Alloy C 0,5 kg
3	.....mm (75 mm...4000 mm), L3 screening,	Alloy C 2 kg/m
5	.....mm (75 mm...4000 mm), L3 screening and 150 mm active guard,	Alloy C 2 kg/m + 0,5 kg
7	.....mm (75 mm...4000 mm), L3 screening,	fully insulated 1 kg/m
Y	Special version	

## Probe insulation

DC 11, 21 EN/ES		
1	Fully insulated probe	
DC 16 EN/ES		
A	.....mm (20 mm...4000 mm), L2,	PTFE insulated 0,1 kg/m
B	.....mm (20 mm...4000 mm), L2,	PFA insulated 0,1 kg/m
C	.....mm (20 mm...4000 mm), L2,	PE insulated 0,1 kg/m
DC 26 EN/ES		
D	Rope type: 2.5mm diameter	
Y	Special version	

## Active length L1, Material

DC 11 EN/ES		
A	.....mm ( 50 mm...22000 mm),	316Ti+PTFE 1 kg/m
B	.....mm ( 50 mm...22000 mm),	steel+PE 1 kg/m
C	.....mm ( 50 mm...22000 mm),	steel+PTFE 1 kg/m
D	.....mm ( 50 mm...22000 mm),	316Ti+PFA 1 kg/m
E	.....mm (100 mm...22000 mm),	Alloy C+PTFE 1 kg/m
F	.....mm (100 mm...22000 mm),	Alloy C+PFA 1 kg/m
G	.....mm (100 mm...22000 mm),	316Ti+PTFE with ground tube 3 kg/m
H	.....mm (100 mm...22000 mm),	316Ti+PFA with ground tube 3 kg/m
K	.....mm (100 mm...22000 mm),	steel+PE with ground tube 3 kg/m
L	.....mm (100 mm...22000 mm),	Alloy C+PTFE with ground tube 3 kg/m
M	.....mm (100 mm...22000 mm),	Alloy C+PFA with ground tube 3 kg/m

Continued Page 15

DC . . E . -

Product designation (first part)

# Product Structure (Continued)

## Active length L1, Material (Continued)

		additional weights
DC 16 EN/ES		
N	.....mm (100 mm...22000 mm),	Rod, 316Ti 0,9 kg/m
P	.....mm (100 mm...22000 mm),	Rod, steel 0,9 kg/m
R	.....mm (100 mm...22000 mm),	Rod, Alloy C 0,9 kg/m
S	.....mm (100 mm...22000 mm),	316Ti with ground tube 2,9 kg/m
T	.....mm (100 mm...22000 mm),	steel with ground tube 2,9 kg/m
U	.....mm (100 mm...22000 mm),	Alloy C with ground tube 2,9 kg/m

## DC 21 EN/ES

1	.....mm (100 mm...22000 mm), tensioning weight with anchor hole	Rope, 316, PE insulated	0,04 kg/m
2	.....mm (100 mm...22000 mm), tensioning weight with anchor hole	Rope, 316, FEP insulated	0,04 kg/m
3	.....mm (100 mm...22000 mm), tensioning weight with anchor hole	Rope, 316, PFA insulated	0,04 kg/m

## DC 26 EN/ES

4	.....mm (100 mm...22000 mm), tensioning weight with anchor hole	Rope, 316	0,03 kg/m
5	.....mm (100 mm...22000 mm), tensioning weight with anchor hole	Rope, Alloy C	0,03 kg/m
9	Special version		

## Process connection, Material

E	DN 50 PN 40, DIN 11851, Hygienic connection	304	0,5 kg
F	DN 40-51 (2"), ISO 2852, Tri-Clamp connection	304	0,5 kg
G	G 1 1/2 A, Thread ISO 228,	steel	
H	G 1 1/2 A, Thread ISO 228,	316Ti	
K	G 1 1/2 A, Thread ISO 228,	Alloy C	
M	1 1/2" NPT, Thread ANSI,	steel	
N	1 1/2" NPT, Thread ANSI,	316Ti	
P	1 1/2" NPT, Thread ANSI,	Alloy C	
Y	Special version		
5	Flanged process connection		

## Flange type, Material

AE2	2" 150 lbs, RF, ANSI B16.5,	316Ti	1,6 kg
AE3	2" 150 lbs, RF, ANSI B16.5,	PTFE >316Ti	1,6 kg
AG2	2" 300 lbs, RF, ANSI B16.5,	316Ti	3,0 kg
AL2	3" 150 lbs, RF, ANSI B16.5,	316Ti	3,2 kg
AL3	3" 150 lbs, RF, ANSI B16.5,	PTFE >316Ti	3,2 kg
AN2	3" 300 lbs, RF, ANSI B16.5,	316Ti	5,6 kg
AP2	4" 150 lbs, RF, ANSI B16.5,	316Ti	5,4 kg
AP3	4" 150 lbs, RF, ANSI B16.5,	PTFE >316Ti	5,4 kg
AR2	4" 300 lbs, RF, ANSI B16.5,	316Ti	7,3 kg
AV2	6" 150 lbs, RF, ANSI B16.5,	316Ti	
A12	6" 150 lbs, RF, ANSI B16.5,	316Ti	
BG1	DN 50 PN 25/40 B, DIN 2527,	steel	3,0 kg
BG2	DN 50 PN 25/40 B, DIN 2527,	316Ti	3,0 kg
BG3	DN 50 PN 25/40, DIN 2527,	PTFE >316Ti	3,0 kg
BM3	DN 80 PN 10/16, DIN 2527,	PTFE >316Ti	4,5 kg
BQ3	DN 100 PN 10/16, DIN 2527,	PTFE >316Ti	5,4 kg
CG2	DN 50 PN 25/40 C, DIN 2527,	316Ti	3,0 kg
CM2	DN 80 PN 10/16 C, DIN 2527,	316Ti	4,5 kg
CQ2	DN 100 PN 10/16 C, DIN 2527,	316Ti	5,4 kg

## Nur DC 11, 16 EN/ES, DC 21 EN

KE2	10K 50A, RF, JIS B2210,	316Ti	
KE3	10K 50A, RF, JIS B2210,	PTFE >316Ti	
KF1	20K 50A, RF, JIS B2210,	steel	2,6 kg
KF2	20K 50A, RF, JIS B2210,	316 Ti	2,6 kg

## Nur DC 11, 16 EN/ES, DC 21 EN

KL2	10K 80A, RF, JIS B2210,	316Ti	
KL3	10K 80A, JIS B2210,	PTFE >316Ti	
KP2	10K 100A, RF, JIS B2210,	316Ti	
KP3	10K 100A, JIS B2210,	PTFE >316Ti	

## YYY Special version

1BB without process flange connection

## Electronic insert

E	with EC 17 Z, 2-wire PFM	0,2 kg
G	with EC 37 Z, 2-wire PFM, 33 kHz	0,2 kg
H	with EC 47 Z, 2-wire PFM, 1 MHz	0,2 kg
K	with FEC 12, 2-wire 4...20 mA HART	0,3 kg* +0,3 kg
M	with FEC 22, 90...253 V AC, DPDT relay	0,3 kg* +0,3 kg
N	with FEC 22, 10... 55 V DC, 3-wire PNP	0,3 kg* +0,3 kg
P	with FEC 14, PROFIBUS PA	
V	with FEC 14, local operation FHB 20 and PROFIBUS PA	
Y	Special version	

## Housing

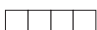
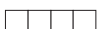

G	Aluminium, T3 Housing, HNA24x1,5,	IP66
M	Aluminium, T3 Housing, gland M20x1,5,	IP66
P	Aluminium, T3 Housing, PA-plug M12,	IP66
S	Aluminium, T3 Housing, Nema 4x, NPT 3/4"	
T	Aluminium, T3 Housing, entry G 1/2 A,	IP66
Y	Special version	

## Option

1	Basic version	
3	with temperature spacer	0,5 kg
5	with gas-tight probe seal	0,5 kg
9	Special version	

\* Additional weight for raised cover

### Please don't forget:

Length of		
Screening	L3	 mm
Partial insulation	L2	 mm
Active probe length	L1	 mm

Basic type

Certificate

Build-up protection

Probe insulation

DC . . E . -

Complete product designation for DC . . EN, DC . . ES

## Europe

### Austria

□ Endress+Hauser Ges.m.b.H.  
Wien  
Tel. (0222) 88056-0, Fax (0222) 88056-35

### Belarus

Belorgsintez  
Minsk  
Tel. (0172) 263166, Fax (0172) 263111

### Belgium

□ Endress+Hauser S.A./N.V.  
Brussels  
Tel. (02) 2480600, Fax (02) 2480553

### Bulgaria

INTERTECH-AUTOMATION  
Sofia  
Tel. (02) 652809, Fax (02) 652809

### Croatia

□ Endress+Hauser GmbH+Co.  
Zagreb  
Tel. (01) 415812, Fax (01) 447859

### Cyprus

I+G Electrical Services Co. Ltd.  
Nicosia  
Tel. (02) 484788, Fax (02) 484690

### Czech Republic

□ Endress+Hauser GmbH+Co.  
Ostrava  
Tel. (069) 6611948, Fax (069) 6612869

### Denmark

□ Endress+Hauser A/S  
Soborg  
Tel. (31) 673122, Fax (31) 673045

### Estonia

Elvi-Aqua-Teh  
Tartu  
Tel. (7) 422726, Fax (7) 422726

### Finland

□ Endress+Hauser Oy  
Espoo  
Tel. (90) 8596155, Fax (90) 8596055

### France

□ Endress+Hauser  
Huningue  
Tel. 89696768, Fax 89694802

### Germany

Endress+Hauser Meßtechnik GmbH+Co.  
Weil am Rhein  
Tel. (07621) 975-01, Fax (07621) 975-555

### Great Britain

□ Endress+Hauser Ltd.  
Manchester  
Tel. (0161) 2865000, Fax (0161) 9981841

### Greece

I & G Building Services Automation S.A.  
Athens  
Tel. (01) 9241500, Fax (01) 9221714

### Hungary

Mile Ipari-Elektro  
Budapest  
Tel. (01) 2615535, Fax (01) 2615535

### Iceland

Vatnshreinsun HF  
Reykjavik  
Tel. (05) 889616, Fax (05) 332022

### Ireland

Flomeaco Company Ltd.  
Kildare  
Tel. (045) 868615, Fax (045) 868182

### Italy

□ Endress+Hauser Italia S.p.A.  
Cernusco s/N Milano  
Tel. (02) 92106421, Fax (02) 92107153

### Latvia

Raita Ltd.  
Riga  
Tel. (02) 254795, Fax (02) 7258933

### Lithuania

Agava Ltd.  
Kaunas  
Tel. (07) 202410, Fax (07) 207414

### Luxembourg

□ Endress+Hauser S.A./N.V.  
Brussels  
Tel. (02) 2480600, Fax (02) 2480553

### Netherlands

□ Endress+Hauser B.V.  
Naarden  
Tel. (035) 6958611, Fax (035) 6958825

### Norway

□ Endress+Hauser A/S  
Tranby  
Tel. (032) 851085, Fax (032) 851112

### Poland

Endress+Hauser Polska Sp. z o.o.  
Warsaw  
Tel. (022) 6510174, Fax (022) 6510178

### Portugal

Tecnisis - Tecnica de Sistemas Industriais  
Linda-a-Velha  
Tel. (01) 4172637, Fax (01) 4185278

### Romania

Romconseng SRL  
Bucharest  
Tel. (01) 4101634, Fax (01) 4101634

### Russia

Avtomatika-Sever Ltd.  
St. Petersburg  
Tel. (0812) 5550700, Fax (0812) 5561321

### Slovak Republic

Transcom technik s.r.o.  
Bratislava  
Tel. (7) 5213161, Fax (7) 5213181

### Slovenia

Endress+Hauser D.O.O.  
Ljubljana  
Tel. (061) 1592217, Fax (061) 1592298

### Spain

□ Endress+Hauser S.A.  
Barcelona  
Tel. (93) 4734644, Fax (93) 4733839

### Sweden

□ Endress+Hauser AB  
Sollentuna  
Tel. (08) 6261600, Fax (08) 6269477

### Switzerland

□ Endress+Hauser AG  
Reinach/BL 1  
Tel. (061) 7156222, Fax (061) 7111650

### Turkey

Intek Endüstriyel Ölçü ve Kontrol Sistemleri  
Istanbul  
Tel. (0212) 2751355, Fax (0212) 2662775

### Ukraine

Industria Ukraina  
Kyiv  
Tel. (44) 2685213, Fax (44) 2685213

## Africa

### Egypt

IAB Office  
Et Cairo  
Tel. (02) 3616117, Fax (02) 3609676

### Morocco

Oussama S.A.  
Casablanca  
Tel. (02) 241338, Fax (02) 405602

### Nigeria

J F Technical Invest. Nig. Ltd.  
Lagos  
Tel. (1) 62234546, Fax (1) 62234548

### South Africa

□ Endress+Hauser Pty. Ltd.  
Sandton  
Tel. (011) 4441386, Fax (011) 4441977

### Tunisia

Controle, Maintenance et Regulation  
Tunis  
Tel. (01) 793077, Fax (01) 788595

## America

### Argentina

Servotron SACIFI  
Buenos Aires  
Tel. (01) 3310168, Fax (01) 3340104

### Bolivia

Tritec S.R.L.  
Cochabamba  
Tel. (042) 50981, Fax (042) 50981

### Brazil

Servotek  
Sao Paulo  
Tel. (011) 5363455, Fax (011) 5363457

### Canada

□ Endress+Hauser Ltd.  
Burlington, Ontario  
Tel. (905) 6819292, Fax (905) 6819444

### Chile

DIN Instrumentos Ltda.  
Santiago  
Tel. (02) 2050100, Fax (02) 2258139

### Colombia

Colseign Ltd.  
Santafe de Bogota D.C.  
Tel. (01) 2367659, Fax (01) 6107868

### Costa Rica

EURO-TEC S.A.  
San Jose  
Tel. 2961542, Fax 2961542

### Ecuador

Insetec Cia. Ltda.  
Quito  
Tel. (02) 461833, Fax (02) 461833

### El Salvador

ACISA  
San Salvador, C.A.  
Tel. (02) 840748

### Guatemala

ACISA Automatizaci3n Y Control  
Ciudad de Guatemala, C.A.  
Tel. (02) 327432, Fax (02) 327431

### Mexico

Maquinaria y Accesorios S.A. de C.V.  
Mexico D.F.  
Tel. (5) 5638188, Fax (5) 3932937

### Paraguay

Incoel S.R.L.  
Asuncion  
Tel. (021) 203465, Fax (021) 26583

### Peru

Esim S.A.  
Lima  
Tel. (01) 4714661, Fax (01) 4710993

### Uruguay

Circular S.A.  
Montevideo  
Tel. (02) 925785, Fax (02) 929151

### USA

□ Endress+Hauser Inc.  
Greenwood, Indiana  
Tel. (317) 535-7138, Fax (317) 535-1489

### Venezuela

H. Z. Instrumentos C.A.  
Caracas  
Tel. (02) 9798813, Fax (02) 9799608

## Asia

### China

Endress+Hauser Beijing  
Beijing  
Tel. (010) 4072120, Fax (010) 4034536

### Hong Kong

□ Endress+Hauser (H.K.) Ltd.  
Hong Kong  
Tel. 25283120, Fax 28654171

### India

□ Endress+Hauser India Branch Office  
Bombay  
Tel. (022) 6045578, Fax (022) 6040211

### Indonesia

PT Grama Bazita  
Jakarta  
Tel. (21) 7975083, Fax (21) 7975089

### Japan

□ Sakura Endress Co., Ltd.  
Tokyo  
Tel. (0422) 540611, Fax (0422) 550275

### Malaysia

□ Endress+Hauser (M) Sdn. Bhd.  
Petaling Jaya, Selangor Darul Ehsan  
Tel. (03) 7334848, Fax (03) 7338800

### Philippines

Brenton Industries Inc.  
Makati Metro Manila  
Tel. (2) 8430661, Fax (2) 8175739

### Singapore

□ Endress+Hauser (S.E.A.) Pte., Ltd.  
Singapore  
Tel. 4688222, Fax 4666848

### South Korea

Hitrol Co. Ltd.  
Kyung Gi-Do  
Tel. (032) 6723131, Fax (32) 6720090

### Taiwan

Kingjarl Corporation  
Taipei R.O.C.  
Tel. (02) 7183938, Fax (02) 7134190

### Thailand

□ Endress+Hauser Ltd.  
Bangkok  
Tel. (2) 2723674, Fax (2) 2723673

### Vietnam

Tan Viet Bao Co. Ltd.  
Ho Chi Minh City  
Tel. (08) 8335225, Fax (08) 8335227

### Iran

Telephone Technical Services Co. Ltd.  
Tehran  
Tel. (021) 8827426, Fax(021) 8827336

### Israel

Instrumetrics Industrial Control Ltd.  
Tel-Aviv  
Tel. (03) 6480205, Fax (03) 6471992

### Jordan

A.P. Parpas Engineering S.A.  
Amman  
Tel. (06) 839283, Fax (06) 839205

### Kingdom of Saudi Arabia

Intrah  
Dammam  
Tel. (03) 8347879, Fax (03) 8344832

### Kuwait

Kuwait Maritime & Mercantile Co. K.S.C.  
Safat  
Tel. 2434752, Fax 2441486

### Lebanon

Network Engineering Co.  
Jbeil  
Tel. (3) 254052, Fax (9) 944080

### Sultanate of Oman

Mustafa & Jawad Science & Industry Co.  
L.L.C.  
Ruwi  
Tel. 602009, Fax 607066

### United Arab Emirates

Descon Trading EST.  
Dubai  
Tel. (04) 359522, Fax (04) 359617

### Yemen

Yemen Company for Ghee and Soap Industry  
Taiz  
Tel. (04) 230665, Fax (04) 212338

## Australia + New Zealand

### Australia

GEC Alsthom LTD.  
Sydney  
Tel. (02) 6450777, Fax (02) 7437035

### New Zealand

EMC Industrial Instrumentation  
Auckland  
Tel. (09) 4449229, Fax (09) 4441145

## All other countries

□ Endress+Hauser GmbH+Co.  
Instruments International  
Weil am Rhein  
Tel. (07621) 975-02, Fax (07621) 975345

<http://www.endress.com>

□ Members of the Endress+Hauser group

05.01/PT

BA 155F/00/en/06.03  
016959-1000  
CCS/CV8

Endress + Hauser

The Power of Know How



016959-1000