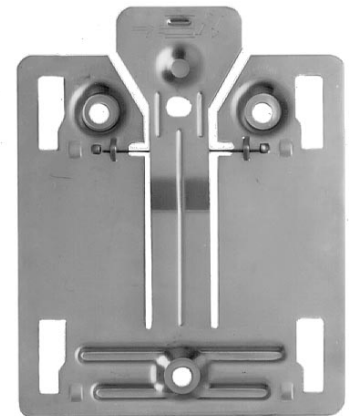


Capacitance Level Measurement

Separate housing for electronic insert



Applications

If the temperature in the housing of a capacitive probe exceeds that permitted for the electronic insert EC ..., then the insert must be fitted in a separate housing.

Important

Order the probe with a housing having a Pg 16 cable gland.

Technical Data

- Maximum ambient temperature for the separate housing: see max. permitted operating temperature for the electronic insert
- Maximum temperature in probe housing: 200°C (390°F)
- Material of housing: AISi12, grey paint finish
- Cable glands: 2 x Pg 16
- Protection to DIN 40050: IP 55
- Material of mounting panel: stainless steel
- Connection to probe: 2 m (6 ft) coaxial cable in a flexible protective tubing of galvanised steel
- Capacitance of the coaxial cable: approx. 100 pF
- Weight without electronic insert: approx. 1.4 kg
- Order No. 913141-0000

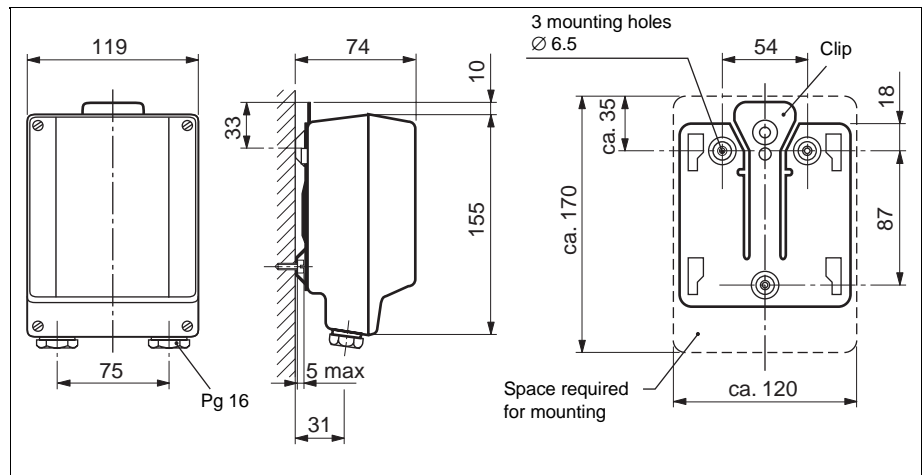
Endress + Hauser

The Power of Know How



Installation

Dimensions in mm
100 mm = 3.94 in
1 in = 25.4 mm



Mounting Position

A smooth-surfaced and sheltered wall, max. 2 m from the probe housing. Protect the separate housing from heat if warm components are in the vicinity.

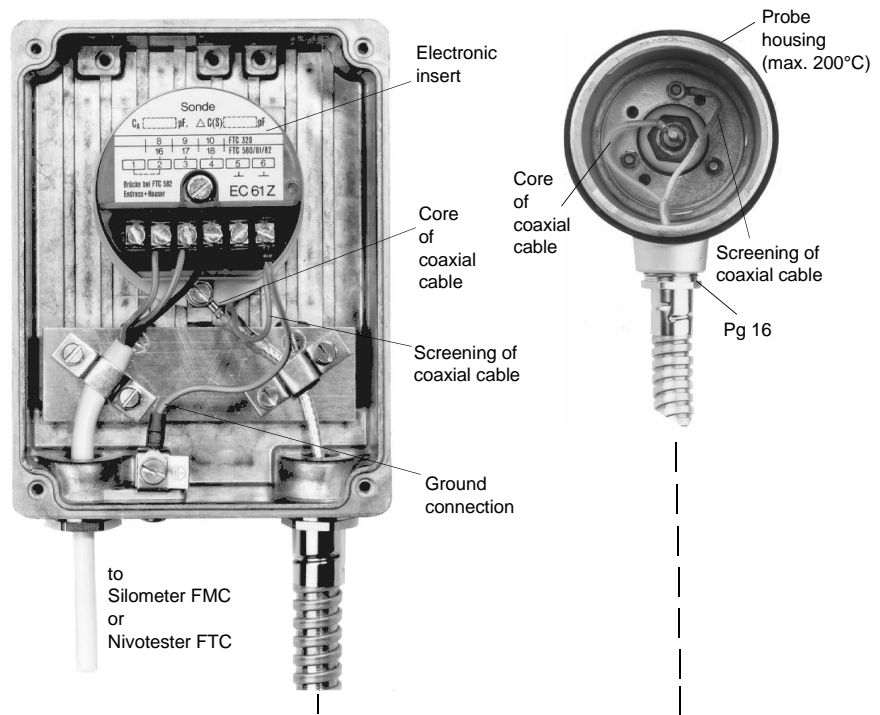
Mounting Point:

- Screw on the mounting plate securely
- Fit the housing so that the top edge of its lower part is opposite the top edge of the clip
- Slide the housing downwards approx. 1 cm.

Removing:

Press the clip against the wall with a screwdriver and slide the housing upwards approx. 1 cm.

Connection



Endress+Hauser
GmbH+Co.
Instruments International
P.O. Box 2222
D-79574 Weil am Rhein
Germany

Tel. (076 21) 975-02
Tx 773926
Fax (076 21) 975345

Endress+Hauser
The Power of Know How

