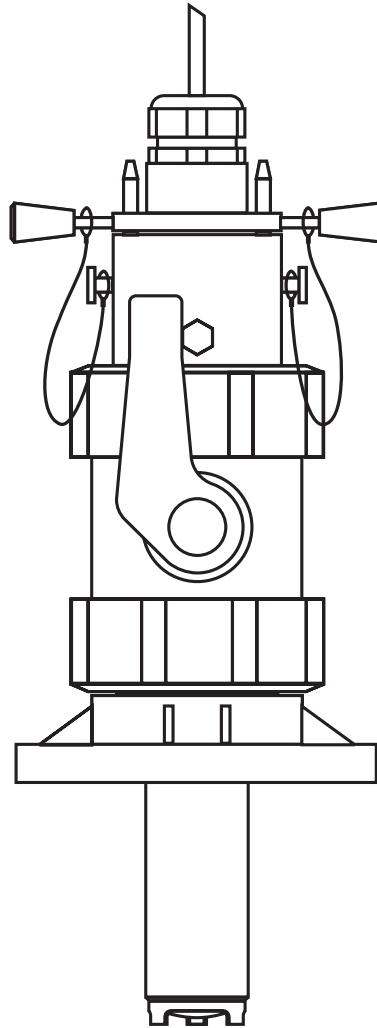


# Retractable Assembly for Oxygen Measurement *ProbFit COA 461*

## Retractable assembly for sensors COS 3/COS 3S and COS 4



*The use of retractable assemblies is very advantageous for oxygen measurement in pipes and tanks. These assemblies permit sensor checking, removal and cleaning without interrupting the process, thereby guaranteeing safe and reliable measurement.*

### Areas of application

- Water and waste water treatment
- Drinking water
- Surface water
- Fish farming

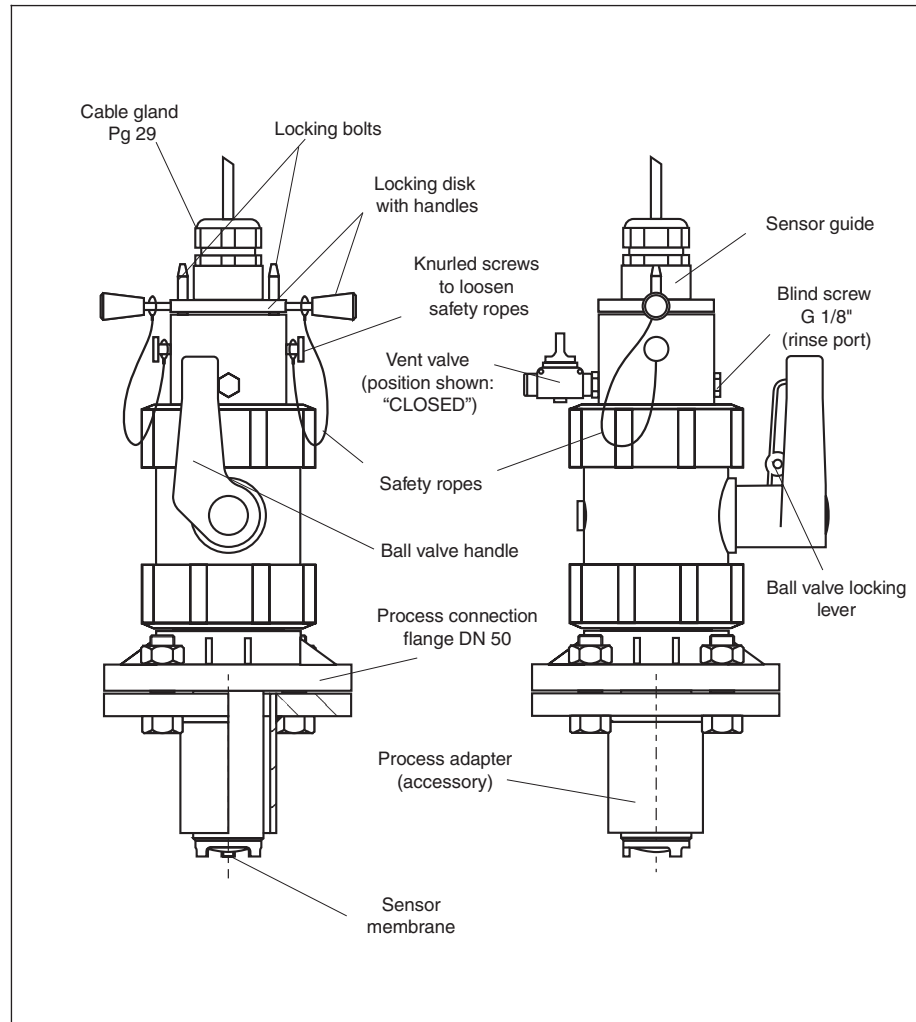
### Benefits at a glance

*Safe segregation from the process is assured by the following design features:*

- Ball valve with locking handle
- Guide tube that holds the sensor is fixed in place by locking disk and locking bolt
- Available with fitting for weld-mounting
- Sensor can be cleaned while mounted thanks to rinse connector
- Sealing water can be supplied through rinse port during sensor retraction
- Manual operation; functions without power supply and control system

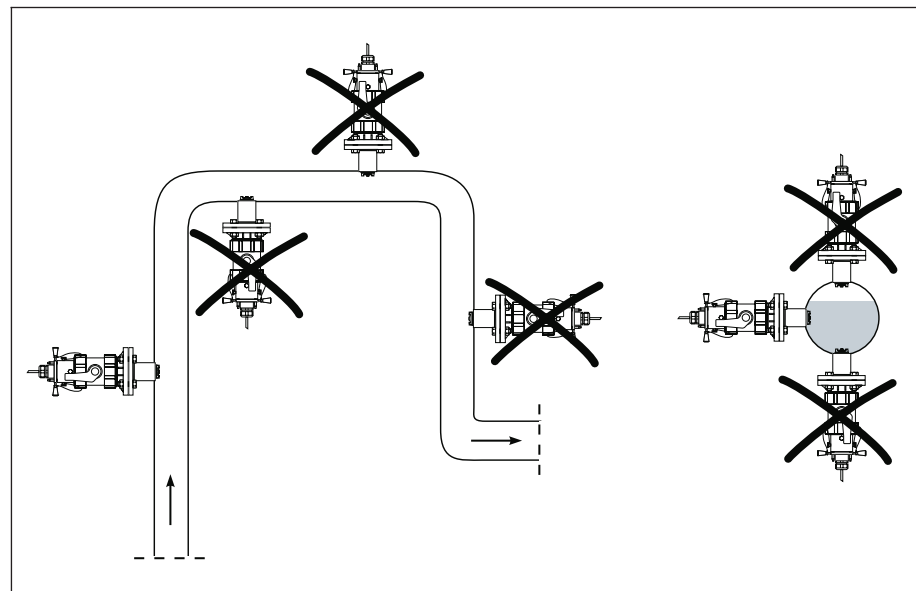


## Design



Design of ProbFit  
COA 461 assembly

## Installation



Recommended  
mounting positions for  
ProbFit COA 461

### Installation and application notes

Install the COA 461 with the built-in oxygen sensor in places with uniform flow rates if at all possible. The pipe diameter should be no less than  $\text{Ø } 80$ . Optimal mounting conditions are achieved with the process adapter (available as an accessory).

### Caution:

Do not install the assembly in places where air is likely to collect, where foam bubbles may form or where sedimentation of medium constituents is possible. Inaccurate measurement may result if the sensor is not completely immersed in the medium or if deposits cover up the membrane.

# Dimensions

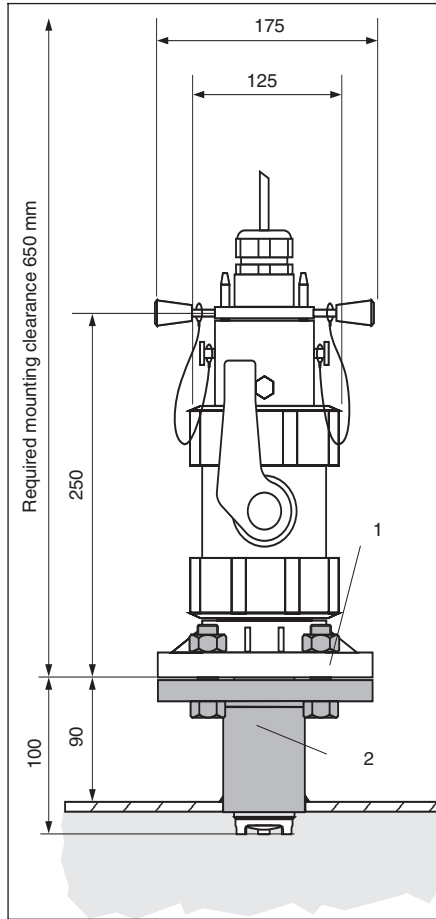
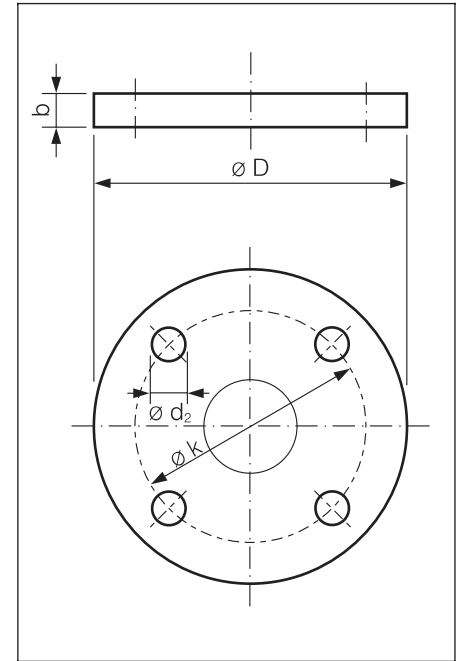


Figure on left:  
Dimensions of  
ProbFit COA 461  
1 Process connection  
DN 50 DIN flange or  
2" ANSI  
2 Process adapter  
(accessory)

Figure on right:  
Flange dimensions for  
COA 461



	DN 50 (mm)	ANSI 2" (mm)
Ø D	165	165
Ø k	125	121
Ø d <sub>2</sub>	18	19
b	18	18

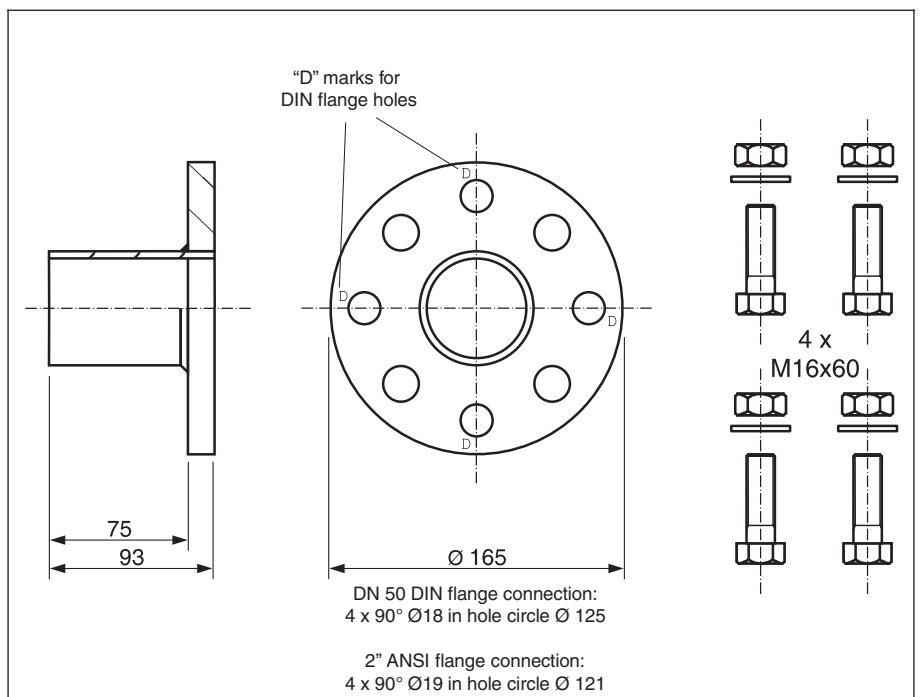
# Accessories

□ **Process adapter:**

Welding socket for pipe diameters of ID Ø 80 mm or larger, complete with DN 50 / 2" ANSI combination flange,

flange seal, 4 M16x60 bolts, 4 M16 nuts and 4 M16 washers. Available in stainless steel 1.4571, PVC or PP.

Process adapter: DN 50 / 2" ANSI welding socket	Material	Order number
	Stainless steel 1.4571	50080249
	Polyvinyl chloride PVC	50080250
	Polypropylene PP	50080251



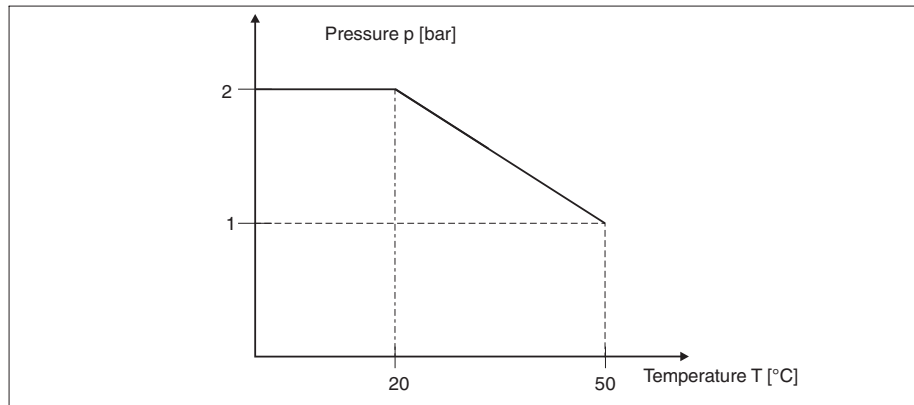
Process adapter for  
pipe diameters of  
80 mm or more

## Technical data

Materials in contact with medium	stainless steel 1.4571
O-ring seals in contact with medium	EPDM / Viton
Dimensions of O-rings in sensor guide	ID x W: 48.20 x 2.62
Dimensions of O-rings in sensor mounting sleeve	ID x W: 41.00 x 1.78
	ID x W: 39.34 x 2.62
Locking disk, bolts	stainless steel
Safety ropes	stainless steel 1.4301, tensile strength 200 kp
Process connection	DIN flange DN 50 / 2" ANSI flange
Process pressure	max. 2 bar at 20 °C or max. 1 bar at 50 °C
Temperature	max. 50 °C
Rinse connections	G 1/8"
<b>Dimensions:</b>	
Sensor moved into medium	installation height: 300 mm
Sensor retracted	required clearance above flange: 650 mm
Immersion depth	100 mm from lower flange edge to beginning of sensor tip
Weight	approx. 3 kg
Sensor installation	G 1"

Subject to modifications.

Temperature/pressure  
specifications for  
COA 461 assembly



## How to order

### Retractable assembly ProbFit COA 461

#### Version / mounting type

- A Process connection DIN flange DN 50
- B Process connection 2" ANSI flange

#### O-ring seals

- 1 Material EPDM
- 2 Material Viton

COA 461-   ← complete order code

**Endress+Hauser GmbH+Co.**

**- Instruments International -**

P.O. Box 22 22

D-79574 Weil am Rhein

Tel. (0 76 21) 9 75 - 02

Fax (0 76 21) 97 53 45

**Endress+Hauser**

Nothing beats know-how

