



## FM Control Drawing 960007817 -

EMC C-Module for ToF apparatus  
 Cl. I, Div. 2 / Zone 2, NIFW installation

Endress+Hauser ToF series (Microplot M, Leveliflex M and Prosonic M) installation with additional EMC C-Module in hazardous classified location

NON HAZARDOUS LOCATION

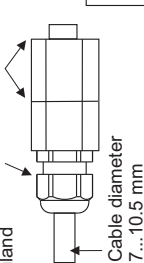
HAZARDOUS LOCATION

Cl. I, II, III, Div. 2, Group A, B, C, D, E, F, G and Cl. I, Zone 2, Group IIC

### EMC C-Module

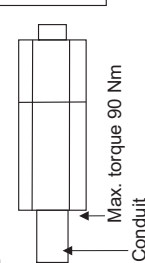
71023101  
 Cable gland

Tightening torque  
 7 Nm±1  
 10 Nm±1



Cable diameter  
 7...10.5 mm  
 0.28...0.41 in

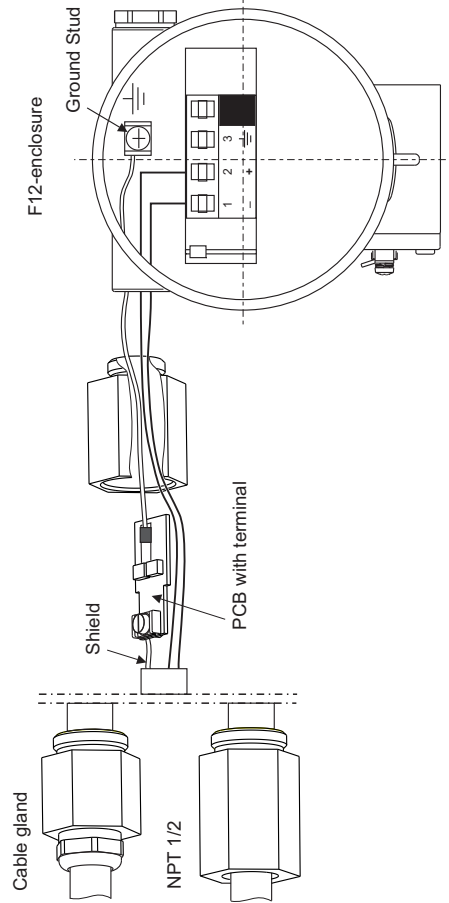
71023103  
 NPT 1/2



Note:  
 Interconnection shall be in accordance with NEC; using threaded conduits or wiring methods in accordance with Article 500 through Article 510

Endress+Hauser ToF-Series  
 - Microplot M  
 - Leveliflex M  
 - Prosonic M  
 with F12-enclosure  
 FM approved as Intrinsically Safe apparatus suitable for NIFW installation

### Wiring



### Division 2 and Zone 2 installation:

- Max. supply voltage, and
- ambient temperature, temperature de-rating and T-code refer apparatus control drawing as stated on the nameplate.
- Nonincendive parameters are not necessary for the EMC C-Module because the EMC C-Module is a passive connection interface, which passes the parameters of the associate nonincendive field wiring apparatus directly to the field device.

The transmitter is suitable to be installed according to the FNICO concept.

Warning: Substitution of components impair suitability for Cl. I, Div. 2, Zone 2.