

Safety Instructions

CNGmass


INMETRO: Ex ia IIC T6...T1
Ex tb IIIC Txx °C

Segurança



Document: XA01253D

Safety instructions for electrical apparatus for explosion-hazardous areas according to ABNT NBR IEC

60079-0 →  3

CNGmass

Table of contents

Associated documentation	4
Manufacturer's certificates	4
Extended order code	4
Safety instructions: General	6
Safety instructions: Installation	7
Safety instructions: Zone 21	8
Temperature tables	8
Explosion hazards arising from gas and dust	9
Connection data: Signal circuits	11

Associated documentation

All documentation is available:

- On the CD-ROM supplied (not included in the delivery for all device versions).
- Available for all device versions via:
 - Internet: www.endress.com/deviceviewer
 - Smart phone/tablet: *Endress+Hauser Operations App*
- In the Download Area of the Endress+Hauser web site: www.endress.com → Download

This document is an integral part of the following Operating Instructions:

Measuring device	Documentation code
CNGmass	BA01283D

Additional documentation:

Document type	Contents	Documentation code
Brochure	Explosion Protection	CP00021Z/11

Please note the documentation associated with the device.

Manufacturer's certificates**Declaration of conformity**

INMETRO CERTIFICADO DE CONFORMIDADE

INMETRO certificate of conformity

Certificate number:

DEKRA 13.0004

Affixing the certificate number certifies conformity with the standards under www.abnt.org.br (depending on the device version).

- ABNT NBR IEC 60079-0: 2013
- ABNT NBR IEC 60079-11: 2013
- ABNT NBR IEC 60079-15: 2012
- ABNT NBR IEC 60079-31: 2011

Extended order code

The extended order code is indicated on the nameplate, which is affixed to the device in such a way that it is clearly visible. Additional information about the nameplate is provided in the associated Operating Instructions.

Structure of the extended order code

* * * * *	-	* * * * * * * * * * * * * *	+	A*B*C*D*E*F*G*...
Device type		Basic specifications		Optional specifications

* = Spaceholder: At this position, an option (number or letter) selected from the specification is displayed instead of the placeholders.


- **Device type**
The device and the device design is defined in the "Device type" section (Product root).
- **Basic specifications**
The features that are absolutely essential for the device (mandatory features) are specified in the basic specifications. The number of positions depends on the number of features available. The selected option of a feature can consist of several positions.
- **Optional specifications**
The optional specifications describe additional features for the device (optional features). The number of positions depends on the number of features available. The features have a 2-digit structure to aid identification (e.g. JA). The first digit (ID) stands for the feature group and consists of a number or a letter (e.g. J = test, certificate). The second digit constitutes the value that stands for the feature within the group (e.g. A = 3.1 material (wetted parts), inspection certificate).

More detailed information about the device is provided in the following tables. These tables describe the individual positions and IDs in the extended order code which are relevant to hazardous locations.

Device type

Position	Order code	Selected option	Description
1	Flow	D	D = flow
2	Instrument family	8	Coriolis flowmeter
3	Product	C	C = CNGmass
4	Generation index	B	Platform generation
5, 6	Nominal diameter	08, 15, 25	Nominal diameter of sensor

Basic specifications

Position	Order code	Selected Option	Explosion protection	
			Transmitter sensor	Safety Barrier Promass 100
1, 2	Approval	MM	Ex ia IIC T6... T1 Gb Ex tb IIIC Txx °C Db	Ex nA [ia Ga] IIC T4 Gc
Txx °C for Group IIIC (dust) (→  8)				

Position	Order code	Selected Option	Description
3	Input; Output	M	Modbus RS485
4	Display; Operation	A	W/o; via communication
5	Housing	A	Compact, alu, coated

Optional specifications

ID	Order code	Selected option	Description
Jx	Test, Certificate	JM	Ambient temperature transmitter -50 °C

Safety instructions: General

- Staff must meet the following conditions for mounting, electrical installation, commissioning and maintenance of the device:
 - Be suitably qualified for their role and the tasks they perform.
 - Be trained in explosion protection.
 - Be familiar with national regulations (e.g. ABNT NBR IEC 60079-14).
- Install the device according to the manufacturer's instructions and national regulations.
- Do not operate the device outside the specified electrical, thermal and mechanical parameters.
- Only use the device in media to which the wetted materials have sufficient durability.
- Refer to the temperature tables for the relationship between the permitted ambient temperature for the sensor and/or transmitter, depending on the range of application, and the temperature classes.

- Modifications to the device can affect the explosion protection and must be carried out by staff authorized to perform such work by Endress+Hauser.
- When using in hybrid mixtures (gas and dust occurring simultaneously), observe additional measures for explosion protection.
- Observe all the technical data of the device (see nameplate).

Safety instructions: Installation

In the event of potentially explosive vapor/air mixtures, only operate the device under atmospheric conditions.

- Temperature: -20 to $+60$ °C
- Pressure: 80 to 110 kPa (0.8 to 1.1 bar)
- Air with normal oxygen content, usually 21 % (V/V)

If no potentially explosive mixtures are present, or if additional protective measures have been taken according to EN 1127-1, the device may also be operated under non-atmospheric conditions in accordance with the manufacturer's specifications.

- The measuring device should only be used with the supplied Safety Barrier Promass 100 (safety barrier).
- The Safety Barrier Promass 100 may only be installed in a non-hazardous area or Zone 2. If the safety barrier is installed in Zone 2, it must be installed in a housing. The housing must meet the requirements of ABNT NBR IEC 60079-15.
- Continuous service temperature of the connecting cable: -40 to $+80$ °C (-50 to $+80$ °C for optional specifications, ID Jx (Test Certificate) = JM); in accordance with the range of service temperature taking into account additional influences of the process conditions ($T_{a,min}$ and $T_{a,max} + 20$ K).
- The connection cable and the installation between Safety Barrier Promass 100 and the measuring device must meet the requirements of ABNT NBR IEC 60079-14.
- Only use certified cable entries and connection plugs $M12 \times 1$ suitable for the application. Observe selection criteria as per ABNT NBR IEC 60079-14.
- Supplied cable glands $M20 \times 1.5$ are only suitable for fixed installation of cables and connections. In the installation, a strain relief must be provided.

Intrinsic safety

- The device can be connected to the Endress+Hauser FXA291 service tool: refer to the Operating Instructions.
- Observe the pertinent guidelines when interconnecting intrinsically safe circuits (e.g. IEC/EN 60079-14, Proof of Intrinsic Safety).
- Observe the connection data when selecting the connection cable between Safety Barrier Promass 100 and measuring device .

Potential equalization

- Integrate the device into the local potential equalization .
- If the ground connection has been established via the pipe as specified, it is also possible to integrate the sensor into the potential equalization system via the pipe.

Safety instructions: Zone 21

- To ensure dust-tightness, securely seal the transmitter housing, cable entries and sealing plugs.
- Only open the transmitter housing briefly, ensuring that no dust or moisture enters the housing.
- Seal unused entry glands with approved sealing plugs that correspond to the type of protection. The plastic transport sealing plug does not meet this requirement and must therefore be replaced during installation.
- Only use certified cable entries and sealing plugs. The cable entries and metal sealing plugs supplied meet this requirement.

Temperature tables

Ambient temperature

Minimum ambient temperature:

- $T_a = -40\text{ °C}$
- *Optional specification, ID Jx (Test, Certificate) = JM*
 $T_a = -50\text{ °C}$

Maximum ambient temperature:

$T_a = +60\text{ °C}$ depending on the medium temperature and temperature class

Medium temperature

Minimum medium temperature:

$T_m = -50\text{ °C}$

Maximum medium temperature:

T_m for T6...T1 depending on the maximum ambient temperature T_a

Compact version

Temperature values in brackets [] correspond to $T_{xx}\text{ °C}$ for Group IIIC (dust). (→ ☰ 9)

Basic specification, Position 5 (Housing) = A

T _a [°C]	T6 [85 °C]	T5 [100 °C]	T4 [135 °C]	T3 [200 °C]	T2 [300 °C]	T1 [450 °C]
35	50	85	120	150	150	150
50	-	85	120	150	150	150
60	-	-	120	150	150	150

Explosion hazards arising from gas and dust

Determining the temperature class and surface temperature with the temperature table

- In the case of gas: Determine the temperature class as a function of the ambient temperature T_a and the medium temperature T_m.
- In the case of dust: Determine the maximum surface temperature as a function of the maximum ambient temperature T_a and the maximum medium temperature T_m.

Example

- Measured maximum ambient temperature: T_{ma} = 47 °C
- Measured maximum medium temperature: T_{mm} = 108 °C

	T _a [°C]	T6 [85 °C]	T5 [100 °C]	T4 [135 °C]	T3 [200 °C]	T2 [300 °C]	T1 [450 °C]
	35	50	85	120	140	140	140
	50	-	85	120	140	140	140
	60	-	-	120	140	140	140
	35	50	85	120	140	140	140
	45	-	85	120	140	140	140
	50	-	-	120	140	140	140

A0019758

1 Procedure for determining the maximum surface temperature

1. Select device (optional).
2. In the column for the maximum ambient temperature T_a select the temperature that is immediately greater than or equal to the measured maximum ambient temperature T_{ma} that is present.
 - ↳ T_a = 50 °C.

The row showing the maximum medium temperature is determined.

3. Select the maximum medium temperature T_m of this row, which is larger or equal to the measured maximum medium temperature T_{mm} .
 - ↳ The column with the temperature class for gas is determined:
 $108\text{ °C} \leq 120\text{ °C} \rightarrow T4$.
4. The maximum temperature of the temperature class determined corresponds to the maximum surface temperature for dust: $T4 = 135\text{ °C}$


Connection data: The following tables contain specifications which are dependent on the transmitter type and its input and output assignment. Compare the following specifications with those on the nameplate of the transmitter.

Signal circuits

Terminal assignment

Transmitter



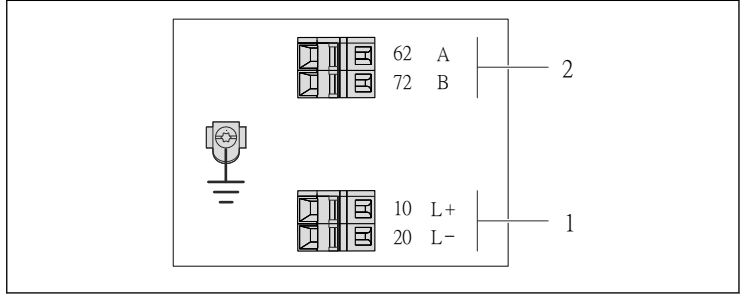
The order code constitutes part of the extended order code. Detailed information on the codes for the device and on the structure of the extended order code (→  5).

Modbus RS485 connection version



For use in the intrinsically safe area. Connection via Safety Barrier Promass 100.

Order code for "Output", option **M**

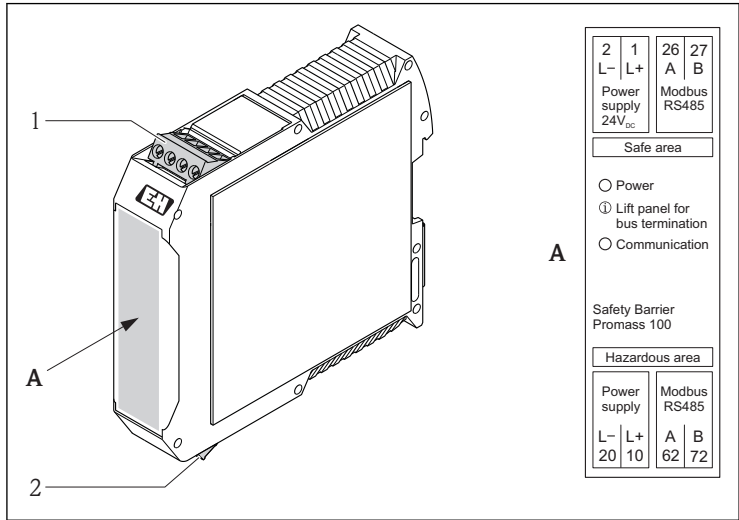


A0017053

- 2 *Modbus RS485 terminal assignment, connection version for use in intrinsically safe areas (connection via Safety Barrier Promass 100)*
- 1 *Intrinsically safe power supply*
- 2 *Modbus RS485*

Order code "Output"	20 (L-)	10 (L+)	72 (B)	62 (A)
Option M	Intrinsically safe supply voltage		Modbus RS485 intrinsically safe	
Order code for "Output": Option M : Modbus RS485, for use in intrinsically safe areas (connection via Safety Barrier Promass 100)				

Safety Barrier Promass 100



3 *Safety Barrier Promass 100 with terminals*

- 1 *Non-hazardous area and Zone 2/Div. 2*
- 2 *Intrinsically safe area*

Intrinsically safe values

These values only apply for the following device version:
 Order code for "Output", option M "Modbus RS485", for use in
 intrinsically safe areas

Safety Barrier Promass 100

Safety-related values

Terminal numbers			
Supply voltage		Signal transmission	
2 (L-)	1 (L+)	26 (A)	27 (B)
$U_{nom} = DC\ 24\ V$ $U_{max} = AC\ 260\ V$		$U_{nom} = DC\ 5\ V$ $U_{max} = AC\ 260\ V$	

Intrinsically safe values

Terminal numbers			
Supply voltage		Signal transmission	
20 (L-)	10 (L+)	62 (A)	72 (B)
$U_o = 16.24 \text{ V}$ $I_o = 623 \text{ mA}$ $P_o = 2.45 \text{ W}$ With IIC ¹⁾ : $L_o = 92.8 \text{ } \mu\text{H}$, $C_o = 0.433 \text{ } \mu\text{F}$, $L_o/R_o = 14.6 \text{ } \mu\text{H}/\Omega$			

1) The gas group depends on the sensor and nominal diameter.

Transmitter

Intrinsically safe values

Terminal numbers			
Supply voltage		Signal transmission	
20 (L-)	10 (L+)	62 (A)	72 (B)
$U_i = 16.24 \text{ V}$ $I_i = 623 \text{ mA}$ $P_i = 2.45 \text{ W}$ $L_i = 0 \text{ } \mu\text{H}$ $C_i = 6 \text{ nF}$			

Pin assignment, device plug

MODBUS RS485

Device plug for signal transmission with supply voltage (device side), MODBUS RS485 (intrinsically safe)

	Pin	Assignment	
	1	L+	Supply voltage, intrinsically safe
	2	A	Modbus RS485 intrinsically safe
	3	B	
	4	L-	Supply voltage, intrinsically safe
5		Grounding/shielding	
	Coding	Plug/socket	
	A	Plug	

www.addresses.endress.com
