

Safety Instructions

Cubemass

NEPSI Zone 1, Zone 21

This document is an integral part of the following Operating Instructions:
BA00142D, Cubmass

Contents

COC certificates of conformity	2
Order code	2
Safety instructions: General	3
Safety instructions: Mounting	4
Safety instructions: Installation	4
Temperature tables: Compact version	6
Gas and dust explosion protection	6
Terminal assignment and connection data, power supply	6
Connection data: Signal circuits (non-intrinsically safe circuits)	7
Service adapter	7
Technical Data	7

COC certificates of conformity

COC certificates of conformity

By affixing the certification number the product conforms with the following standards:

- GB/T 3836.1-4-2021
- GB/T 3836.9-2021
- GB/T 3836.31-2021

Certification numbers:

- GYJ22.1932X

Inspection body

NEPSI, National Supervision and Inspection Centre for Explosion Protection and Safety of Instrumentation

Order code

The order code is indicated on the nameplate, which is affixed to the device in such a way that it is clearly visible.

Additional information on the nameplate is provided in the associated Operating Instructions.

Structure of the order code



* Placeholder: An option (number or letter) that depends on the device specification is displayed instead of the placeholders.

- **Device type**
The device type section of the order code describes the device and the device construction.
- **Basic specifications**
The features that are absolutely essential for the device (mandatory features) are specified in the basic specifications. The number of positions depends on the number of features available. The selected option of a feature can consist of several positions.
- **Optional specifications**
The optional specifications describe additional features for the device (optional features). The number of positions depends on the number of features available. The features have a 2-digit structure to aid identification (e.g. JE). The first digit (ID) stands for the feature group (e.g. J = test, certificate) and consists of a number or a letter. The second digit constitutes the value that stands for the feature within the group (e.g. E = NACE).

More detailed information on the device is provided in the following tables. These tables describe the individual positions or IDs in the order code which are relevant to hazardous areas.

Device type

Position	Selected option	Description	
1 Instrument family	8	Coriolis flow measuring system	
2 Sensor	C	Sensor C	
3 Electronics	M	Cubemass 8CM transmitter	<ul style="list-style-type: none"> ▪ Transmitter electronics in: [Ex ia] IIC ▪ Ex d housing in Ex d IIC or Ex demb IIC
4 Nominal diameter	01 to 06	Nominal diameter of the sensor	

Basic specifications

Position		Selected option	Description
1 2	Approval	NH	Explosion protection: Ex db ia IIC T1...T6 Gb, Ex tb IIIC T85°C...T450°C Db
		NI	Explosion protection: Ex db eb ia mb IIC T1...T6 Gb, Ex tb IIIC T85°C...T450°C Db
3	Output	B	Non-intrinsically safe output
7	Housing	A	Min. ambient temperature $T_{a\ min} = -40\ ^\circ\text{C}$
8	Cable entry	A	Thread: M20 × 1.5
		B	Thread: NPT ½"
		C	Thread: G ½"

 Note!

For a detailed explanation of these values, regarding the available output, as well as a description of the associated terminal assignments and connection data: →  6 onwards.

Safety instructions: General

- For installation, use and maintenance of the flow meter, the instruction manual and the following standards shall be observed:
 - GB50257-2014 "Code for construction and acceptance of electric device for explosive atmospheres and fire hazard electrical equipment installation engineering"
 - GB/T 3836.13-2021 "Explosive atmospheres – Part 13: Equipment repair, overhaul, reclamation and modification"
 - GB/T 3836.15-2017 "Explosive atmospheres – Part 15: Electrical installations design, selection and erection"
 - GB/T 3836.16-2017 "Explosive atmospheres – Part 16: Electrical installations inspection and maintenance"
 - GB15577-2018: Safety regulations for dust explosion prevention and protection". (Only if installed in dust hazardous areas)
 - GB/T 3836.18-2017 "Explosive atmospheres – Part 18: Intrinsically safe electrical systems".
 - Any maintenance shall be done after power off or the area known to be non-hazardous.
 - The flow meter shall not be modified in order to ensure the explosion protection performance of the equipment. Any change may impair safety.
 - Installation, connection to the electricity supply, commissioning and maintenance of the devices must be carried out by qualified specialists trained to work on Ex-rated devices.
 - Compliance with all of the technical data of the device (see nameplate) is mandatory.
 - Open the device only when it is de-energized (and after a delay of at least 10 minutes following shutdown of the power supply) or when the atmosphere is not potentially explosive [or in non-hazardous (classified) locations].
 - Service adapter: do not connect in potentially explosive atmospheres.
 - Opening the transmitter housing is only permitted for a brief time. During this time, ensure that no dust or water enters the housing.
 - To guarantee resistance to dust and water, the transmitter housing and the cable entries must be tightly sealed.
 - Use of the devices is restricted to mediums against which the process-wetted materials are adequately resistant.
 - The suitability of the device in the event of simultaneous occurrence of gas-air and dust-air mixtures requires an additional assessment.
 - Stainless steel label attached to the measuring device (optional): There is a risk of electrostatic charge on the label. This is caused, for example, by friction or cleaning.
 - Ensure that the label is grounded. Ensure that the capacitance to ground is < 30 pF.
- Or
- Protect the label against electrostatic charge.
 - Attach the following warning to the measuring device so that it is clearly visible: WARNING – POTENTIAL ELECTROSTATIC CHARGING HAZARD – SEE INSTRUCTIONS.

Safety instructions: Mounting

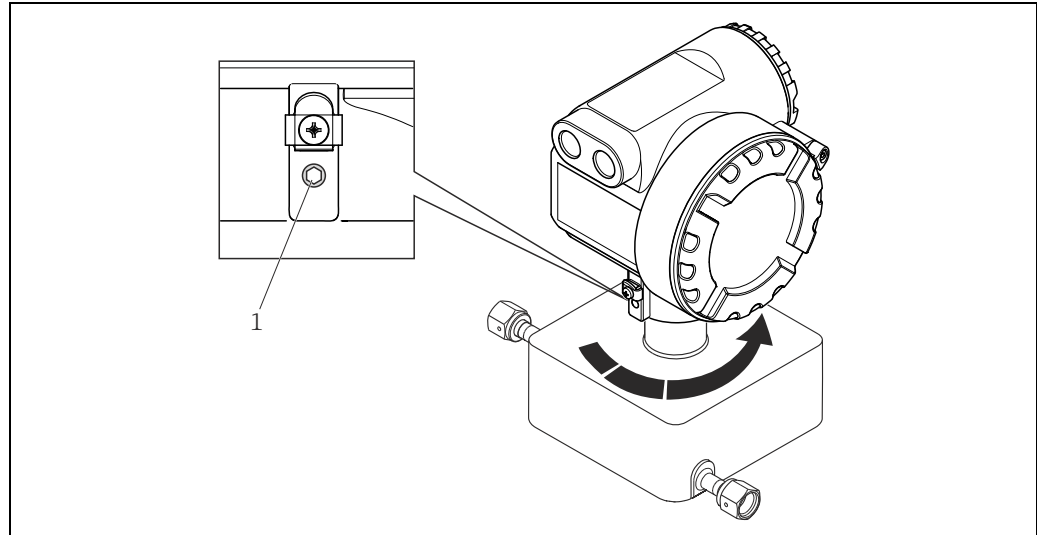
Turning the transmitter housing

The transmitter housing can be rotated counterclockwise continuously up to 360°.

1. Loosen the Allen setscrew (1) partially, but do not unscrew it all the way.
2. Rotate the transmitter housing into the desired position.
3. Tighten the Allen setscrew (1) properly after each manipulation.

⚠ Warning!

Ensure that the Allen setscrew is tightened properly.



A0013094

Fig. 1: Turning the transmitter housing

Safety instructions: Installation

- The device must be integrated into the potential equalization system.
- For terminals No. 22 to No. 27 of the transmitter, only devices with ratings $U_m \leq 253 \text{ V}$ and $I_m \leq 1 \text{ A}$ are allowed to be connected.
- The measuring device must only be used in the permitted temperature class.
The values of the individual temperature classes can be found in the temperature tables: → 6.
For Zone 21:
The surface temperature of the measuring device must not exceed 2/3 of the ignition temperature of a dust cloud. The maximum surface temperature must maintain a safe distance of 75 °C to the smolder temperature of a dust layer of 5 mm.
Example:
Operation in temperature class T4 (135 °C) is, therefore, suitable for dust with an ignition temperature of 202.5 °C ($1.5 \cdot 135 \text{ °C}$ or $135 \text{ °C} = 2/3$ of 202.5 °C) and a smolder temperature of 210 °C ($135 \text{ °C} + 75 \text{ °C}$).
- The following applies when using the terminal compartment in type of protection "flameproof/Ex d": Only cable entries and cable glands, which are approved by NEPSI in accordance with GB/T 3836.1-2021 and GB/T 3836.2-2021 and which are suitable for an operating temperature of up to 80 °C, they shall be used.
- The following applies when using the terminal compartment in type of protection "increased safety/Ex e": Only cable entries, cable glands and blanking plugs, which are approved by NEPSI in accordance with GB/T 3836.1-2021 and GB/T 3836.3-2021 and which are suitable for an operating temperature of up to 80 °C and for an ingress protection of IP 67, they shall be used. The cables must be installed in such a way, that they are fixed in place in order to ensure adequate strain relief.
- Suitable cables and suitable, certified cable glands, cable entries and blanking plugs must be used for measuring devices operated at temperatures below -20 °C.
- The cable entries and openings not used must be sealed tight with suitable components.
- If Category "ia" intrinsically safe circuits of the measuring device are connected to certified intrinsically safe Category "ib" circuits with explosion group IIC or IIB ratings, the type of protection changes to Ex ib IIC or Ex ib IIB, as applicable.

- If the active intrinsically safe communication circuits (input/output option: S,T; terminals 26/27 or 24/25) are fed into areas that require 1D or 2D apparatus, the connected apparatus must be tested and certified accordingly.
- In Zone 0, potentially explosive vapor/air mixtures may only occur under atmospheric conditions. If no potentially explosive mixtures are present, or if additional protective measures have been taken, the devices may be operated under other atmospheric conditions in accordance with the manufacturer's specifications.

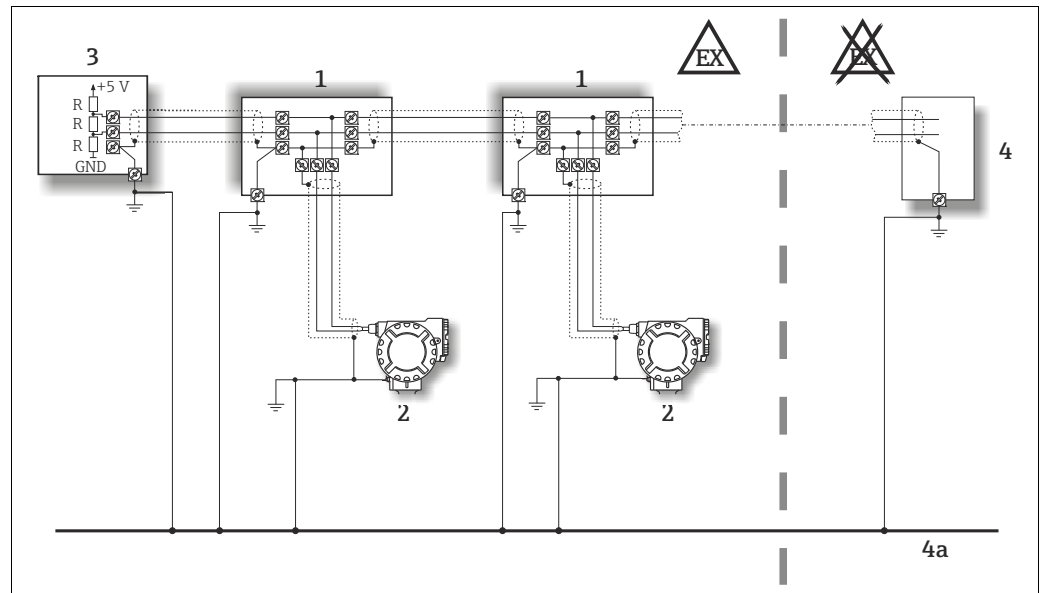
Potential equalization

The transmitter is to be securely connected to the potential equalization system using the screw terminal on the outside of the transmitter housing. Alternatively, the transmitter of the compact version can be connected to the potential equalization system via the pipeline if a ground connection via the pipeline according to regulations can be assured.

 **Note!**

Further information about potential equalization, shielding and grounding can be found in the associated Operating Instructions.

Potential equalization with shield grounded at both sides for Modbus version



A0007469

Fig. 2: Example for connecting potential equalization lines

- 1 Distributor/T-Box
- 2 Bus devices for potentially explosive atmospheres
- 3 Bus terminator Modbus
- 4 Bus supply unit or automation system
- 4a Potential equalization line is fed out into the safe area

 **Note!**

The length of the spur must be observed.

Temperature tables: Compact version

Ambient temperature

The minimum ambient temperature T_a for Cubemass is -20 °C .
A version for ambient temperatures T_a up to -40 °C is optionally available.

Medium temperature

The minimum medium temperature for Cubemass is -50 °C .

Max. medium temperature [$^{\circ}\text{C}$] for T1-T6 in relation to the maximum ambient temperature T_a

	DN [mm]	T_a [$^{\circ}\text{C}$]	T6 (85 $^{\circ}\text{C}$)	T5 (100 $^{\circ}\text{C}$)	T4 (135 $^{\circ}\text{C}$)	T3 (200 $^{\circ}\text{C}$)	T2 (300 $^{\circ}\text{C}$)	T1 (450 $^{\circ}\text{C}$)
Cubemass 8CM**-...	1, 2, 4	+50	50	95	130	150	200	200
	1, 2, 4	+60	-	95	130	150	200	200
	6		60	100	130	150	200	200

Gas and dust explosion protection

Determining the temperature class and surface temperature with the temperature table

In the case of gas: Determine the temperature class as a function of the ambient temperature T_a and the medium temperature T_m .

In the case of dust: Determine the maximum surface temperature as a function of the maximum ambient temperature T_a and the maximum medium temperature T_m .

Example of the maximum surface temperature for explosion hazards arising from dust

Device: Cubemass, compact version, DN 4

Maximum ambient temperature: $T_a = 60\text{ °C}$

Maximum medium temperature: $T_m = 98\text{ °C}$

	DN [mm]	T_a [$^{\circ}\text{C}$]	T6 (85 $^{\circ}\text{C}$)	T5 (100 $^{\circ}\text{C}$)	T4 (135 $^{\circ}\text{C}$)	T3 (200 $^{\circ}\text{C}$)	T2 (300 $^{\circ}\text{C}$)	T1 (450 $^{\circ}\text{C}$)
Cubemass 8CM**-...	1, 2, 4, 6	+50	50	95	130	150	200	200
		+60	-	95	130	150	200	200

DN 4 $T_a = 60\text{ °C}$ $T_m = 98\text{ °C} (\leq 130\text{ °C})$

A0013139

Fig. 3: Procedure for calculating the max. surface temperature

1. Select the device (Cubemass), nominal diameter (DN 4) and ambient temperature T_a (60 °C) in the associated temperature table (compact version).
2. In the determined line, select the maximum medium temperature T_m (98 °C), which is smaller than or equal to the maximum medium temperature of a cell.
The column with the temperature class for gas is determined ($98\text{ °C} \leq 130\text{ °C} \rightarrow \text{T4}$).
3. The maximum temperature of the temperature class determined corresponds to the maximum surface temperature: $T_4 = 135\text{ °C} = \text{maximum surface temperature for dust}$.

Terminal assignment and connection data, power supply

Terminal assignment and connection data

All transmitters	1 L (+)	2 N (-)	\oplus
Designation	Supply voltage		Protective earth
Functional values	AC: $U = 20$ to 28 V DC: $U = 10$ to 30 V Power consumption: AC: $< 4\text{ VA}$ DC: $< 3.2\text{ W}$		Caution! Observe the grounding plans of the system!
Intrinsically safe circuit	no		
U_m	253 V AC		

Connection data: Signal circuits (non-intrinsically safe circuits)

 Note!

The following tables contain values/specifications that depend on the transmitter type code and the input and output assignment. Please compare the following data to the information shown on the nameplate of your measuring device.

Terminal assignment

Order characteristic "Outputs"	Terminal no. (outputs)					
	22 (+)	23 (-)	24 (+)	25 (-)	26 (+)	27 (-)
<i>Non-convertible communication boards (fixed assignment)</i>						
B	Pulse / Frequency / Status output 2		Pulse / Frequency / Status output 1		Modbus RS485 ¹⁾ B A	
¹⁾ Modbus RS485: - Terminal 26 (+) → B (RxD/TxD-P) - Terminal 27 (-) → A (RxD/TxD-N)						

Safety-related and functional values of signal circuits

Signal circuits	Functional values	Safety-related values
Pulse/frequency output	galvanically isolated passive 30 V DC / 250 mA Open Collector end frequency 100 to 5000 Hz	intrinsically safe = no U _m = 253 V I _m = 1 A
Status output	galvanically isolated passive 30 V DC / 250 mA Open Collector	
Modbus RS485	galvanically isolated, RS485 as per Standard EIA/TIA-485	

Service adapter

The service adapter is only used for connecting service interfaces approved by Endress+Hauser.

 Warning!

Service adapter: do not connect in potentially explosive atmospheres..

Technical Data

Dimensions

The dimensions of the instruments for the hazardous area correspond to those in the Technical Information documentation.

Weight

The weight of the Ex d version is equivalent to the weight in the Technical Information documentation.

 Note!

Technical Information for Cubemass → TI00106D

www.addresses.endress.com
