

# Installation Instructions

## Kit CA76NA

Electrodes for installation in the analyzer



# 1 Scope of delivery

The scope of delivery comprises:

- **Order no. 71358110:**
    - 1 sodium electrode for analyzer CA76NA
    - 1 printed Installation Instructions
  - **Order no. 71358111:**
    - 1 pH electrode for analyzer CA76NA
    - 1 printed Installation Instructions
  - **Order no. 71371663:**
    - 1 pH electrode for analyzer CA76NA
    - 1 sodium electrode for analyzer CA76NA
    - 1 printed Installation Instructions
- If you have any queries:  
Please contact your supplier or local sales center.

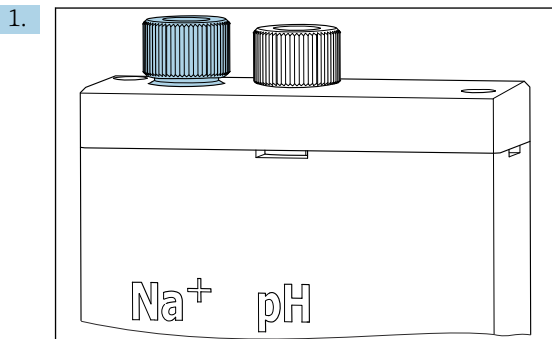
# 2 Mounting

## Preparing electrodes

1. The analyzer is switched off or the operating mode is **OFF**.  
Fill the measuring unit halfway with deionized water so that the electrodes do not dry out after installation.
2. Remove the electrodes from the packaging. The sodium electrode is marked "Na" on the shaft. The pH electrode has no marking.
3. Remove the lower sealing cap with the saline solution. If there are any salt crystals on the electrode, rinse them off carefully with deionized water.

The electrodes are now ready to be installed.

## Installing the electrodes



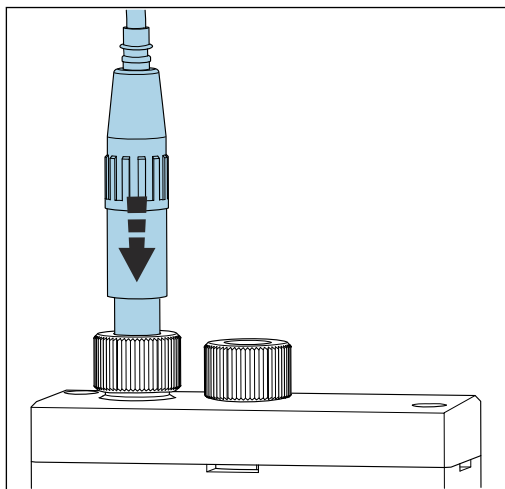
Loosen the screw connection on the measuring unit.

2. Fit the plug of the cable marked "Na+" onto the sodium electrode.
3. Fit the plug of the cable marked "pH" onto the pH electrode.
4. The plugs have a right-hand thread. Tighten the plugs by hand.

5. **NOTICE**

**Risk of damaging the electrodes during the installation and removal procedure**

- ▶ Exercise care when inserting the electrodes into, and removing the electrodes from, the chambers of the flow through cell.
- ▶ Do not touch against the glass bulbs of the electrodes.
- ▶ The electrodes are very fragile. Exercise great care when handling the electrodes.
- ▶ Avoid air bubbles in the glass bulbs. If air bubbles are present, hold the electrode in a vertical position and shake it gently to remove the bubbles.
- ▶ Do not allow the glass bulbs of the electrodes to become dry. Fit the electrodes with the protection caps after removal.
- ▶ Protect the cable connections and plugs against corrosion and moisture.



Carefully insert the electrode as far as it will go into the left-hand chamber (sodium) or right-hand chamber (pH).

6. Tighten the screw connection by hand.



71587960

[www.addresses.endress.com](http://www.addresses.endress.com)

---