

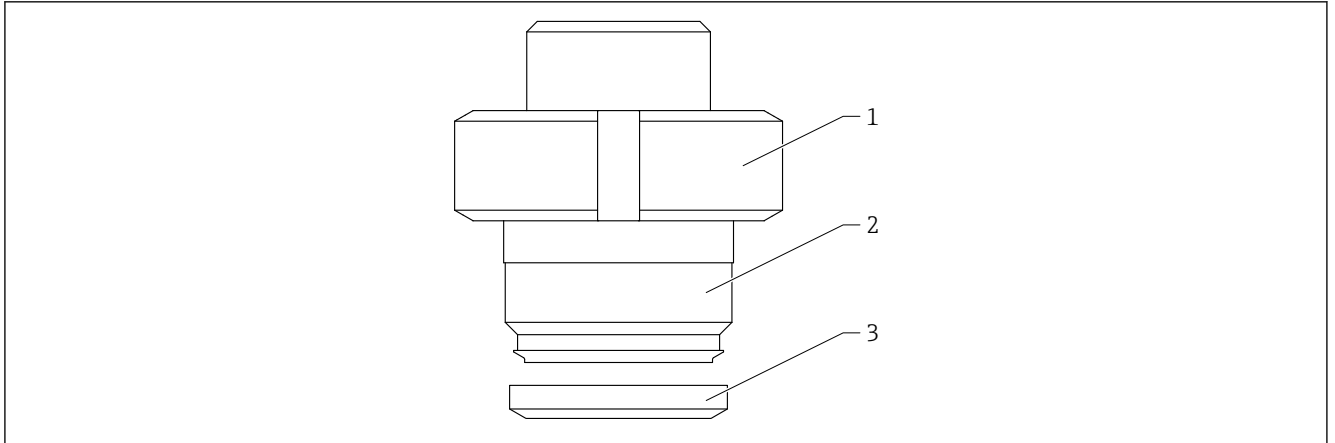


Special Documentation

Dummy plug Uni adapter

Accessories

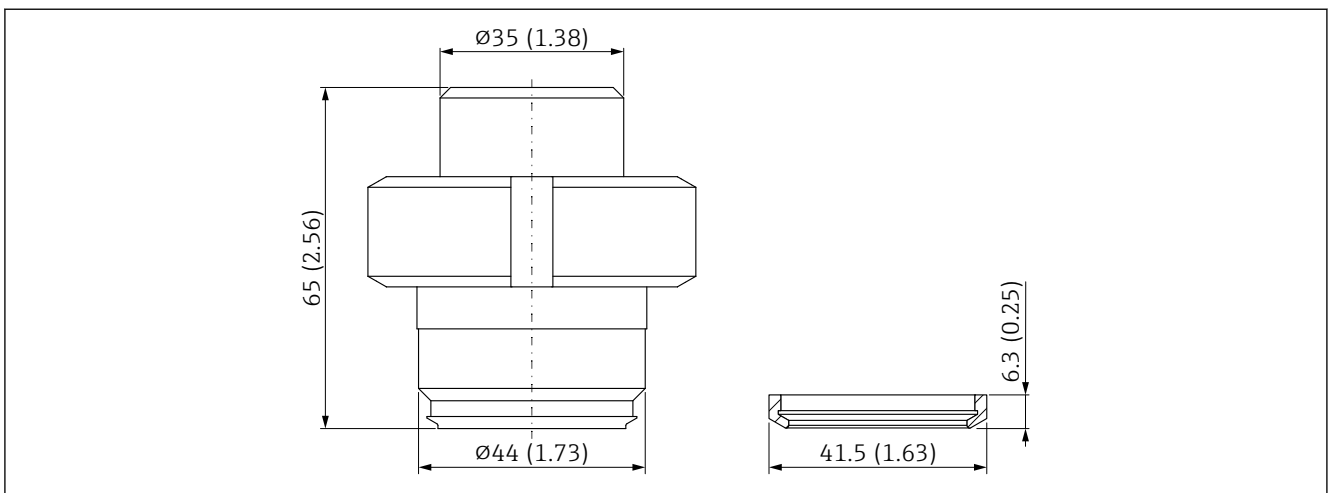
Material



A0050331

- 1 *DIN 11851 F25 slotted nut; stainless steel*
- 2 *Dummy plug, weld-in adapter UNI D65/85; 316L (1.4435)*
- 3 *Silicone seal ring; Viton*

Dimensions



A0050330

Unit of measurement mm (in)
