

Operating Instructions

Liquiphant FTL62 Density

Vibronic

Density measurement for liquids





A0023555

Table of contents

1	About this document	5	6.3	Connecting the device	18
1.1	Purpose of this document	5	6.3.1	2-wire density (electronic insert FEL60D) for density measurement . . .	18
1.2	Symbols	5	6.3.2	Connecting the cables	21
1.2.1	Safety symbols	5	6.3.3	Post-connection check	22
1.2.2	Electrical symbols	5	7	Operation options	23
1.2.3	Tool symbols	5	7.1	Overview of operation options	23
1.2.4	Symbols for certain types of information	5	7.1.1	Operating concept	23
1.2.5	Symbols in graphics	6	7.1.2	Elements on the electronic insert	23
2	Basic safety instructions	6	8	Commissioning	23
2.1	Requirements for the personnel	6	8.1	Function check	23
2.2	Intended use	6	8.2	Switching on the device	23
2.2.1	Incorrect use	6	9	Operation	24
2.3	Workplace safety	6	9.1	Light signals	24
2.4	Operational safety	7	10	Diagnostics and troubleshooting . . .	24
2.5	Product safety	7	10.1	Diagnostic information via light emitting diodes	24
2.6	IT security	7	10.1.1	LED at electronic insert	24
3	Product description	7	10.2	Firmware history	25
3.1	Product design	8	11	Maintenance	25
4	Incoming acceptance and product identification	8	11.1	Maintenance tasks	25
4.1	Incoming acceptance	8	11.1.1	Cleaning	25
4.2	Product identification	9	12	Repair	25
4.2.1	Nameplate	9	12.1	General notes	25
4.2.2	Electronic insert	9	12.1.1	Repair concept	25
4.2.3	Manufacturer address	9	12.1.2	Repair of Ex-certified devices	25
4.3	Storage and transport	9	12.2	Spare parts	26
4.3.1	Storage conditions	9	12.3	Return	26
4.3.2	Transporting the device	9	12.4	Disposal	26
5	Mounting	10	13	Accessories for Liquiphant Density .	26
5.1	Mounting requirements	10	13.1	Device Viewer	26
5.1.1	Flow velocity - installation in pipes . .	11	13.2	Weather protection cover for dual compartment housing, aluminum	26
5.1.2	Inlet and outlet runs	11	13.3	Weather protection cover for single compartment housing, aluminum or 316L, cast	27
5.1.3	Correction factor	12	13.4	M12 socket	27
5.1.4	Avoid buildup	15	13.5	Additional accessories	28
5.1.5	Take clearance into consideration . . .	15	14	Accessories for Density Computer FML621	28
5.1.6	Support the device	15	14.1	Device Viewer	28
5.2	Mounting the device	16	14.2	General	28
5.2.1	Required tool	16			
5.2.2	Installation	16			
5.3	Post-mounting check	17			
6	Electrical connection	18			
6.1	Required tool	18			
6.2	Connection requirements	18			
6.2.1	Cover with securing screw	18			
6.2.2	Connecting protective earth (PE)	18			

14.3	Extension cards	28
14.4	PROFINET® Interface	29
15	Technical data	29
15.1	Input	29
15.1.1	Measured variable	29
15.1.2	Measuring range	29
15.2	Output	29
15.2.1	Output and input variants	29
15.2.2	Ex connection data	29
15.3	Environment	30
15.3.1	Ambient temperature range	30
15.3.2	Storage temperature	30
15.3.3	Humidity	30
15.3.4	Operating altitude	30
15.3.5	Climate class	30
15.3.6	Degree of protection	30
15.3.7	Vibration resistance	30
15.3.8	Shock resistance	30
15.3.9	Mechanical load	31
15.3.10	Pollution degree	31
15.3.11	Electromagnetic compatibility	31
15.4	Process	31
15.4.1	Process temperature range	31
15.4.2	Thermal shock	31
15.4.3	Process pressure range	31
15.5	Additional technical data	31
Index	32	

1 About this document

1.1 Purpose of this document

These Operating Instructions contain all the information that is required in the various phases of the life cycle of the device: from product identification, incoming acceptance and storage, to mounting, connection, operation and commissioning through to troubleshooting, maintenance and disposal.

1.2 Symbols

1.2.1 Safety symbols

DANGER

This symbol alerts you to a dangerous situation. Failure to avoid this situation will result in serious or fatal injury.

WARNING

This symbol alerts you to a dangerous situation. Failure to avoid this situation can result in serious or fatal injury.

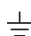
CAUTION

This symbol alerts you to a dangerous situation. Failure to avoid this situation can result in minor or medium injury.

NOTICE

This symbol contains information on procedures and other facts which do not result in personal injury.

1.2.2 Electrical symbols

 Ground connection

Grounded clamp, which is grounded via a grounding system.


 Protective earth (PE)

Ground terminals, which must be grounded prior to establishing any other connections. The ground terminals are located on the inside and outside of the device.

1.2.3 Tool symbols

 Flat-blade screwdriver

 Allen key

 Open-ended wrench

1.2.4 Symbols for certain types of information

 Permitted


Procedures, processes or actions that are permitted.


 Forbidden

Procedures, processes or actions that are forbidden.

 Tip

Indicates additional information

 Reference to documentation

 Reference to another section


1., **2.**, **3.** Series of steps

1.2.5 Symbols in graphics

A, B, C ... View

1, 2, 3 ... Item numbers

 Hazardous area

 Safe area (non-hazardous area)



2 Basic safety instructions

2.1 Requirements for the personnel

The personnel must fulfill the following requirements to carry out the necessary tasks, e. g., commissioning and maintenance:

- ▶ Trained, qualified specialists must have a relevant qualification for the specific function and task
- ▶ Are authorized by the plant owner/operator
- ▶ Are familiar with federal/national regulations
- ▶ Must have read and understood the instructions in the manual and supplementary documentation
- ▶ Follow instructions and comply with conditions

2.2 Intended use

- Use the device only for measuring the density of liquids.
- Improper use can pose hazards
- Ensure that the device is free of defects while it is in operation
- Use the device only for media to which the wetted materials have an adequate level of resistance
- Do not exceed or drop below the relevant limit values for the device
 -  For more details, see the "Technical data" section
 -  See the Technical Documentation

2.2.1 Incorrect use

The manufacturer is not liable for damage caused by improper or non-intended use.

Residual risks

Due to heat transfer from the process, the temperature of the electronics housing and the assemblies contained therein may rise to 80 °C (176 °F) during operation.

Danger of burns from contact with surfaces!

- ▶ If necessary, ensure protection against contact to prevent burns.

2.3 Workplace safety

For work on and with the device:

- ▶ Wear the required personal protective equipment according to federal/national regulations.

2.4 Operational safety

Risk of injury!

- ▶ Operate the device only if it is in proper technical condition, free from errors and faults.
- ▶ The operator is responsible for ensuring the interference-free operation of the device.

Modifications to the device

Unauthorized modifications to the device are not permitted and can lead to unforeseeable dangers.

- ▶ If, despite this, modifications are required, consult with Endress+Hauser.

Repair

To ensure continued operational safety and reliability:

- ▶ Only perform repair work on the device if this is expressly permitted.
- ▶ Observe federal/national regulations pertaining to the repair of an electrical device.
- ▶ Use original spare parts and accessories from Endress+Hauser only.

Hazardous area

To eliminate danger to persons or the facility when the device is used in the hazardous area (e.g. explosion protection):

- ▶ Check the nameplate to verify whether the ordered device can be used for the intended purpose in the hazardous area.
- ▶ Observe the specifications in the separate supplementary documentation that is an integral part of this manual.

2.5 Product safety

This device is designed in accordance with good engineering practice to meet state-of-the-art safety requirements, has been tested, and left the factory in a condition in which it is safe to operate.

It meets the general safety standards and legal requirements. It also complies with the EU directives listed in the device-specific EU Declaration of Conformity. Endress+Hauser confirms this by affixing the CE mark to the device.

2.6 IT security

We only provide a warranty if the device is installed and used as described in the Operating Instructions. The device has safety mechanisms integrated to prevent users from inadvertently changing settings.

Provide additional protection for the device and data transfer to/from the device

- ▶ IT security measures defined in the plant owner/operator's own security policy must be implemented by plant owners/operators themselves.

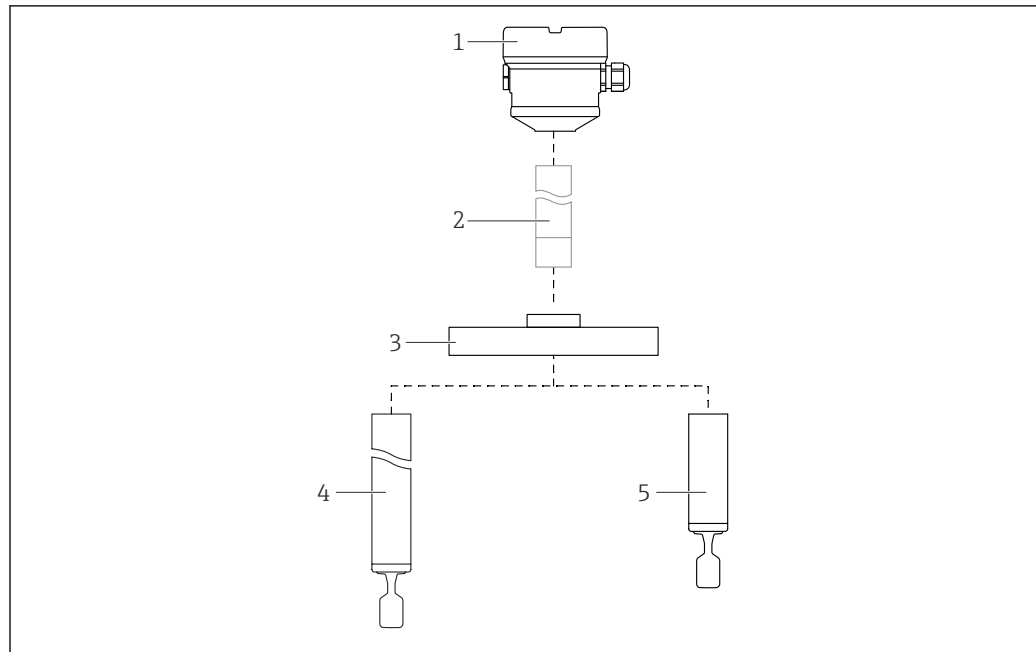
3 Product description

Liquiphant FTL62 sensor with electronic insert FEL60D

For measuring the density of liquid media in conjunction with Density Computer FML621. Also suitable for use in hazardous areas.

Different coatings (plastic or enamel) offer a high degree of corrosion protection for applications in aggressive media.

3.1 Product design



A0042276

1 *Liquiphant FTL62 product design*

- 1 *Housing with electronic insert FEL60D and cover*
- 2 *Temperature spacer, pressure-tight feedthrough (second line of defense), optional*
- 3 *Process connection flange*
- 4 *Pipe extension probe with tuning fork*
- 5 *Short pipe probe with tuning fork*

Coatings


- Plastic-coated or enamel-coated: flange, pipe extension and tuning fork
- No coating: temperature spacer, pressure-tight feedthrough

4 Incoming acceptance and product identification

4.1 Incoming acceptance

Check the following during incoming acceptance:

- Are the order codes on the delivery note and the product sticker identical?
- Are the goods undamaged?
- Do the data on the nameplate match the ordering information on the delivery note?
- If required (see nameplate): are the Safety Instructions e.g. XA provided?

 If one of these conditions is not met, please contact the manufacturer's sales office.

4.2 Product identification

The device can be identified in the following ways:


- Nameplate specifications
- Extended order code with breakdown of the device features on the delivery note
- Enter serial number from nameplates in *W@M Device Viewer* www.endress.com/deviceviewer. All of the information on the measuring device is displayed along with an overview of the scope of technical documentation provided.
- Enter the serial number on the nameplate into the *Endress+Hauser Operations app* or scan the *2-D matrix code* on the nameplate with the Endress+Hauser Operations app

4.2.1 Nameplate

The information that is required by law and is relevant to the device is shown on the nameplate, e.g.:

- Manufacturer identification
- Order number, extended order code, serial number
- Technical data, degree of protection
- Firmware version, hardware version
- Approval-related information, reference to Safety Instructions (XA)
- DataMatrix code (information about the device)

4.2.2 Electronic insert

 Identify the electronic insert via the order code on the nameplate.

4.2.3 Manufacturer address

Endress+Hauser SE+Co. KG
Hauptstraße 1
79689 Maulburg, Germany
Place of manufacture: See nameplate.

4.3 Storage and transport

4.3.1 Storage conditions

Use original packaging.

Storage temperature

-40 to +80 °C (-40 to +176 °F)

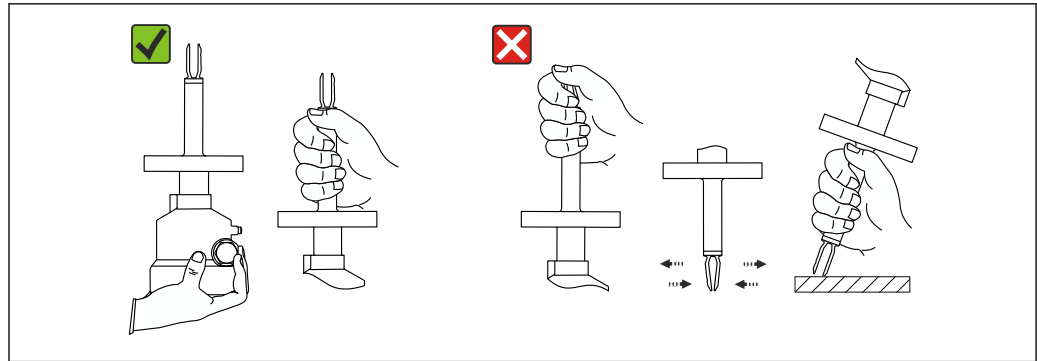
4.3.2 Transporting the device

NOTICE

Flange, pipe extension and tuning fork are either plastic-coated or enamel-coated. Scratches or impacts may cause damage to the coated surface of the device.

- ▶ Hold the device only by the housing, flange or extension pipe, protect coated surface appropriately.
- ▶ Transport the device to the measuring point in the original packaging.

Do not bend, shorten or extend the tuning fork



A0042281

2 Handling the device during transportation

5 Mounting

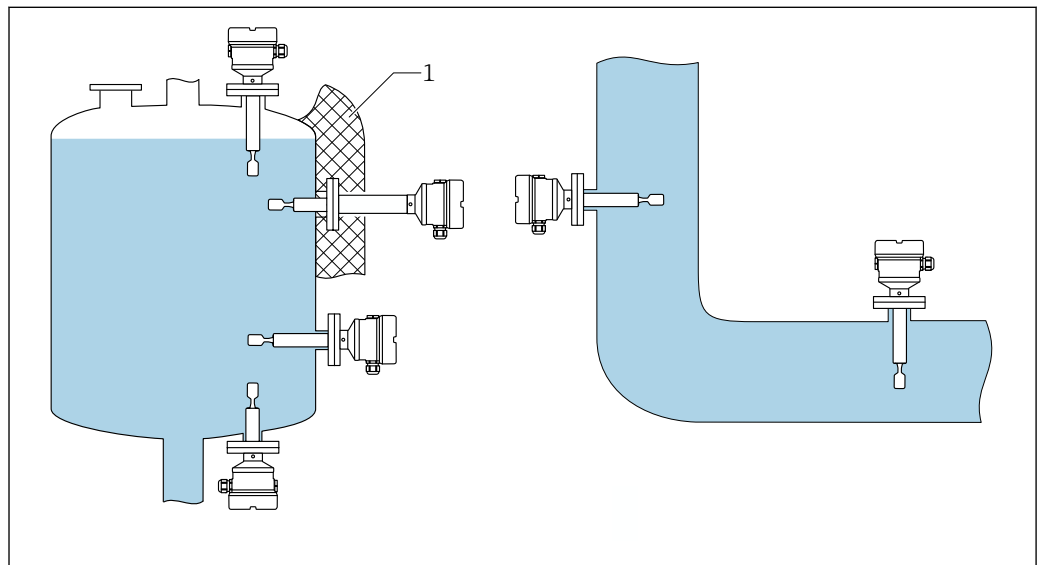
⚠ WARNING

Loss of protection rating if the device is opened in a wet environment.

- ▶ Only open the device in a dry environment!

Mounting instructions

- Any orientation for device with short pipe up to approx. 500 mm (19.7 in)
- Vertical orientation from above for device with long pipe
- Minimum distance between the fork tip and the tank wall or pipe wall: 10 mm (0.39 in)



A0048473

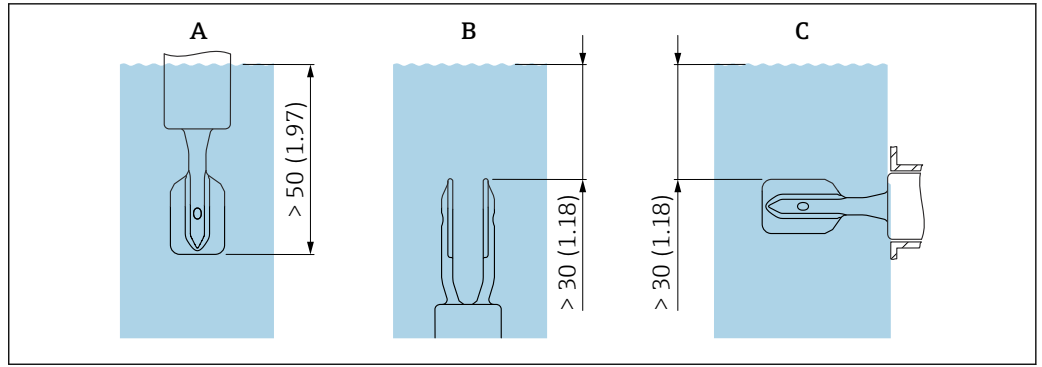
3 Installation examples for a vessel, tank or pipe

1 Vessel insulation (example with temperature spacer/pressure-tight feedthrough)

If process temperatures are high, the device should be included in a vessel insulation system to prevent the electronics from heating as a result of thermal radiation or convection.

5.1 Mounting requirements

For density measurement, the tuning fork must always be completely immersed.



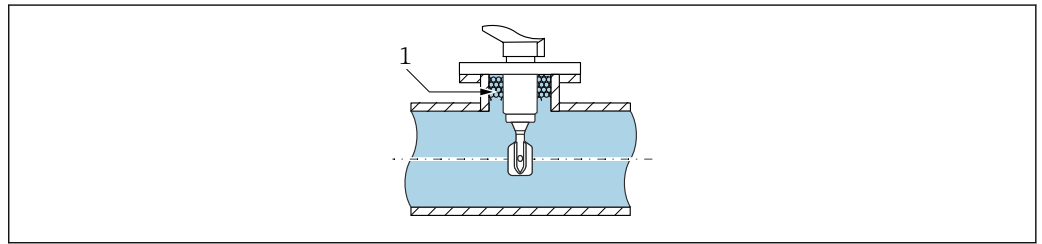
Unit of measurement mm (in)

- A Installation from above
- B Installation from below
- C Installation from the side

5.1.1 Flow velocity - installation in pipes

Installing the tuning fork in the medium flow

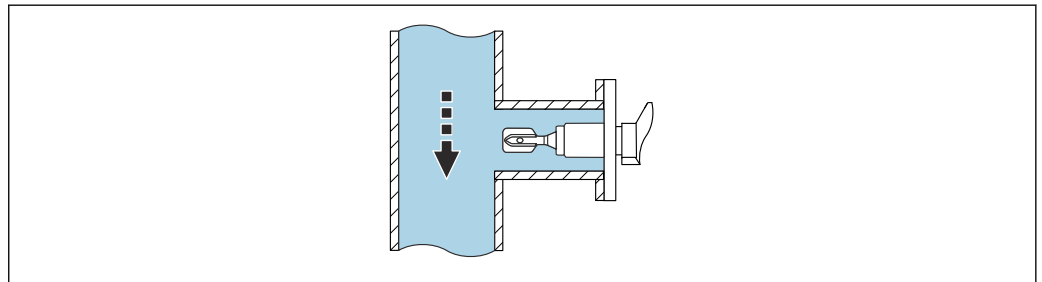
- Flow velocity: < 2 m (6.6 ft) per second
- Prevents the formation of air bubbles (1)



4 Installation example in pipes in the medium flow

Installing the tuning fork away from the direct flow of medium

Flow velocity: < 2 to 5 m (6.6 to 16 ft) per second



5 Installation example in pipes away from the direct flow of medium

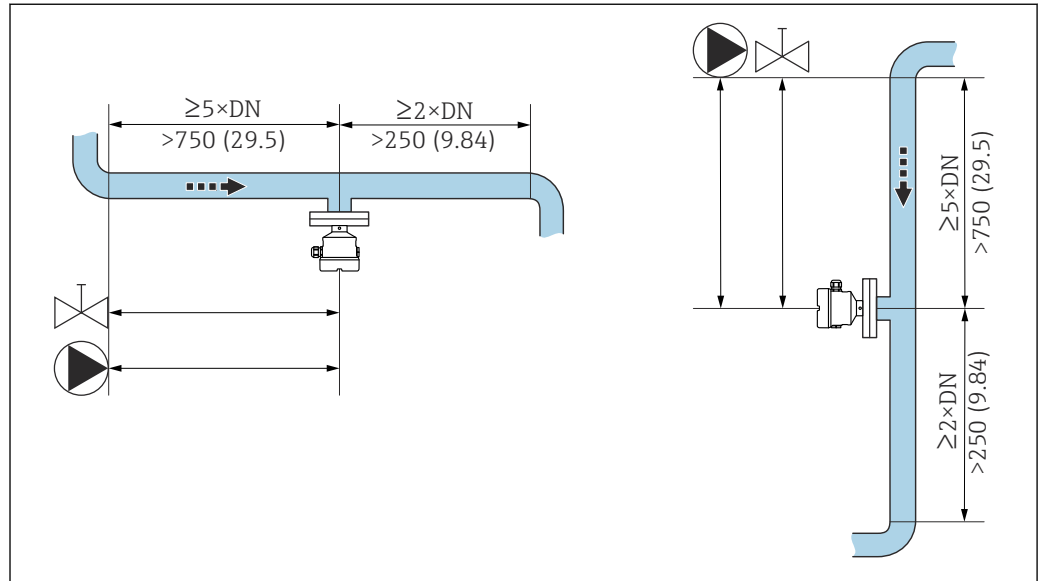
5.1.2 Inlet and outlet runs

Inlet run

Install the sensor as far as possible from fittings such as valves, T-sections, elbows, flange elbows, etc.

To comply with the accuracy specification, the inlet run must meet the following requirements:

Inlet run: $\geq 5 \times \text{DN}$ (nominal diameter) - min. 750 mm (29.5 in)



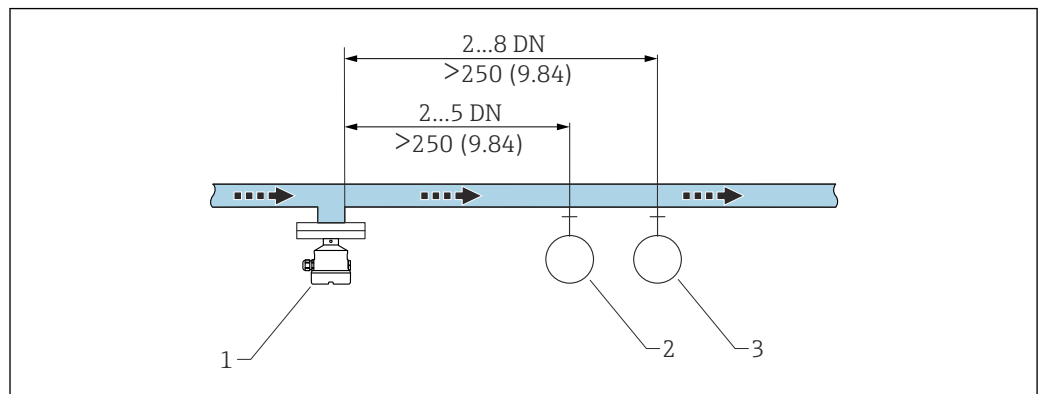
6 Installing the inlet run. Unit of measurement mm (in)

Outlet run

To comply with the accuracy specification, the outlet run must meet the following requirements:

Outlet run: $\geq 2 \times \text{DN}$ (nominal diameter) - min. 250 mm (9.84 in)

The pressure and temperature sensor must be installed on the outlet side of the flow direction after the Liquiphant density sensor. When installing pressure and temperature measuring points downstream of the device, make sure the distance between the measuring point and the device is sufficient.



7 Installing the outlet run. Unit of measurement mm (in)

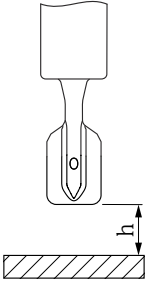
- 1 Liquiphant density sensor
- 2 Pressure measuring point
- 3 Temperature measuring point

5.1.3 Correction factor

If the vibration of the tuning fork is affected by conditions at the mounting location, the measurement result can be adjusted using a correction factor (r).

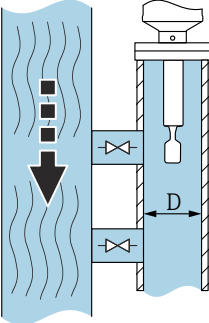
Standard installation

Correction factor "r" as a factor of height "h", for entering in the Density Computer FML621 or ReadWin2000:

	h	r
 <small>A0039687</small>	12 mm (0.47 in)	1.0026
	14 mm (0.55 in)	1.0016
	16 mm (0.63 in)	1.0011
	18 mm (0.71 in)	1.0008
	20 mm (0.79 in)	1.0006
	22 mm (0.87 in)	1.0005
	24 mm (0.94 in)	1.0004
	26 mm (1.02 in)	1.0004
	28 mm (1.10 in)	1.0004
	30 mm (1.18 in)	1.0003
	32 mm (1.26 in)	1.0003
	34 mm (1.34 in)	1.0002
	36 mm (1.42 in)	1.0001
	38 mm (1.50 in)	1.0001
	40 mm (1.57 in)	1.0000

Installation in a bypass

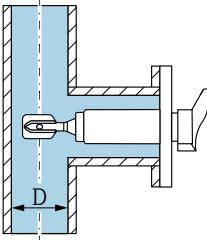
Correction factor "r" as a factor of the internal diameter of bypass "D", for entering in the Density Computer FML621 or ReadWin2000:

	D	r
 <small>A0039689</small>	<44 mm (1.73 in)	-
	44 mm (1.73 in)	1.0191
	46 mm (1.81 in)	1.0162
	48 mm (1.89 in)	1.0137
	50 mm (1.97 in)	1.0116
	52 mm (2.05 in)	1.0098
	54 mm (2.13 in)	1.0083
	56 mm (2.20 in)	1.0070
	58 mm (2.28 in)	1.0059
	60 mm (2.36 in)	1.0050
	62 mm (2.44 in)	1.0042
	64 mm (2.52 in)	1.0035
	66 mm (2.60 in)	1.0030
	68 mm (2.68 in)	1.0025
	70 mm (2.76 in)	1.0021
	72 mm (2.83 in)	1.0017
	74 mm (2.91 in)	1.0014
	76 mm (2.99 in)	1.0012
78 mm (3.07 in)	1.0010	

	D	r
	80 mm (3.15 in)	1.0008
	82 mm (3.23 in)	1.0006
	84 mm (3.31 in)	1.0005
	86 mm (3.39 in)	1.0004
	88 mm (3.46 in)	1.0003
	90 mm (3.54 in)	1.0003
	92 mm (3.62 in)	1.0002
	94 mm (3.70 in)	1.0002
	96 mm (3.78 in)	1.0001
	98 mm (3.86 in)	1.0001
	100 mm (3.94 in)	1.0001
	>100 mm (3.94 in)	1.0000

Installation in pipe

Correction factor "r" as a factor of the internal diameter of pipe "D", for entering in the Density Computer FML621 or ReadWin2000:

	D	r
	<44 mm (1.73 in)	-
	44 mm (1.73 in)	1.0225
	46 mm (1.81 in)	1.0167
	48 mm (1.89 in)	1.0125
	50 mm (1.97 in)	1.0096
	52 mm (2.05 in)	1.0075
	54 mm (2.13 in)	1.0061
	56 mm (2.20 in)	1.0051
	58 mm (2.28 in)	1.0044
	60 mm (2.36 in)	1.0039
	62 mm (2.44 in)	1.0035
	64 mm (2.52 in)	1.0032
	66 mm (2.60 in)	1.0028
	68 mm (2.68 in)	1.0025
	70 mm (2.76 in)	1.0022
	72 mm (2.83 in)	1.0020
	74 mm (2.91 in)	1.0017
	76 mm (2.99 in)	1.0015
	78 mm (3.07 in)	1.0012
	80 mm (3.15 in)	1.0009
82 mm (3.23 in)	1.0007	
84 mm (3.31 in)	1.0005	
86 mm (3.39 in)	1.0004	
88 mm (3.46 in)	1.0003	
90 mm (3.54 in)	1.0002	

	D	r
	92 mm (3.62 in)	1.0002
	94 mm (3.70 in)	1.0001
	96 mm (3.78 in)	1.0001
	98 mm (3.86 in)	1.0001
	100 mm (3.94 in)	1.0001
	>100 mm (3.94 in)	1.0000

5.1.4 Avoid buildup

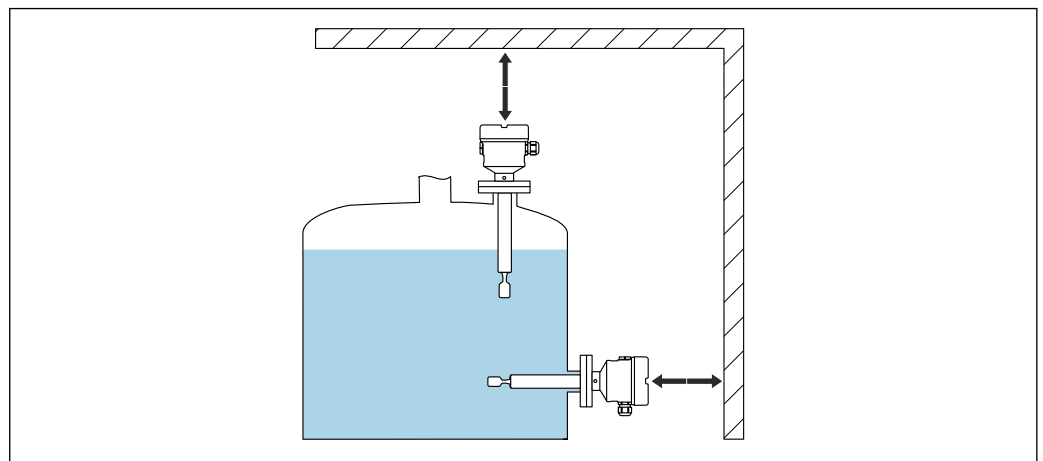
NOTICE

The presence of buildup or corrosion on the tuning fork affects the result of the measurement and must be avoided!

- ▶ Allow for maintenance intervals if required!

5.1.5 Take clearance into consideration

Allow sufficient space outside the tank for mounting, connecting and replacing the electronic insert.



8 Take clearance into consideration

A0048474

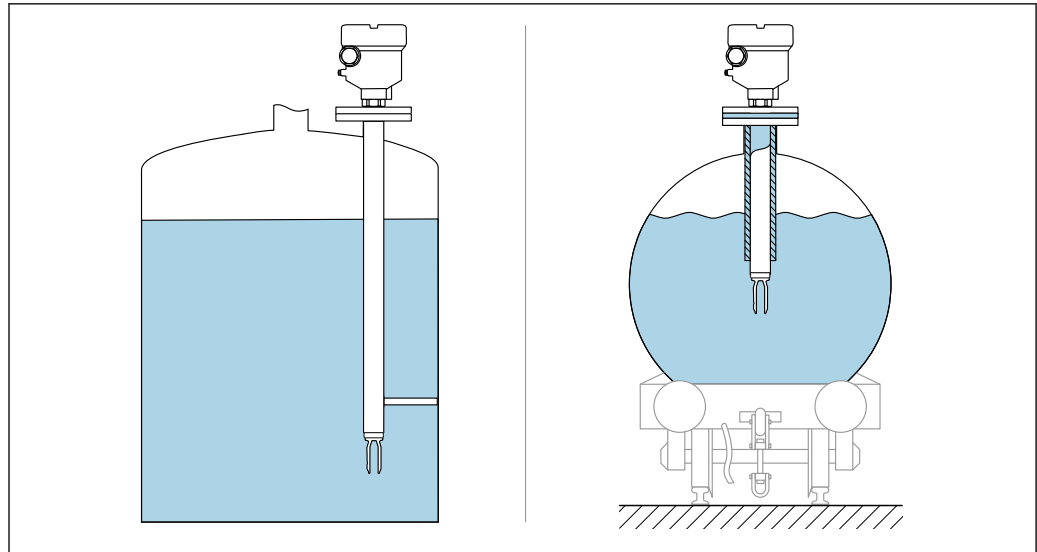
5.1.6 Support the device

NOTICE

If the device is supported incorrectly, shocks and vibrations can damage the coated surface.

- ▶ Only use a support in conjunction with ECTFE or PFA plastic coating.
- ▶ Only use suitable supports.

Support the device in the event of severe dynamic load. Maximum lateral loading capacity of the pipe extensions and sensors: 75 Nm (55 lbf ft).



A0039742

9 Support in the event of dynamic load

5.2 Mounting the device

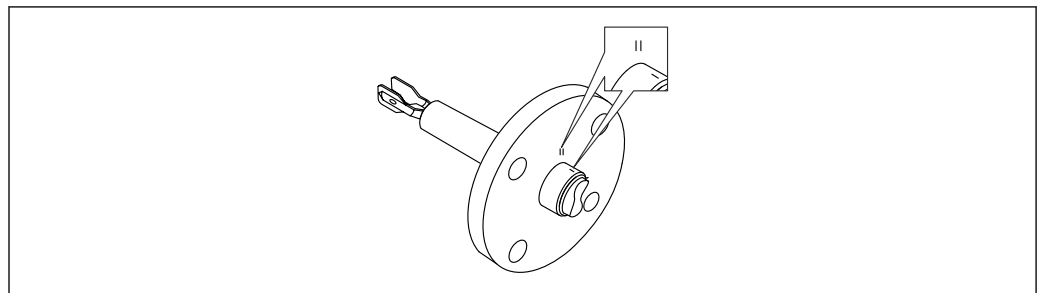
5.2.1 Required tool

- Open-ended wrench for securing the flange
- Allen key for housing locking screw

5.2.2 Installation

Align the tuning fork using the marking

The tuning fork can be aligned using the marking in such a way that the medium drains off easily and buildup is avoided.

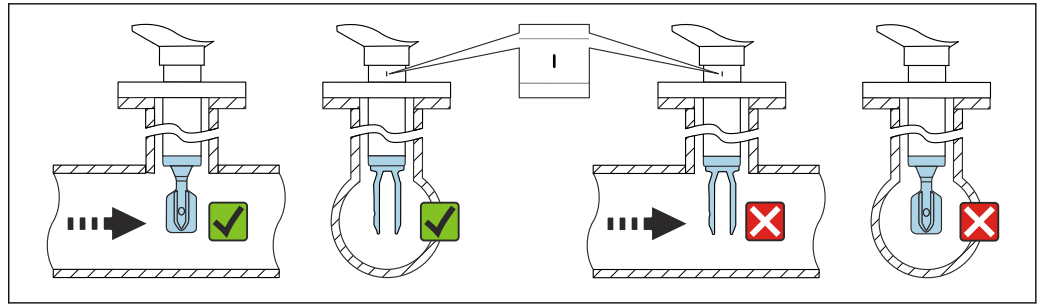


A0042207

10 Markings to align the tuning fork

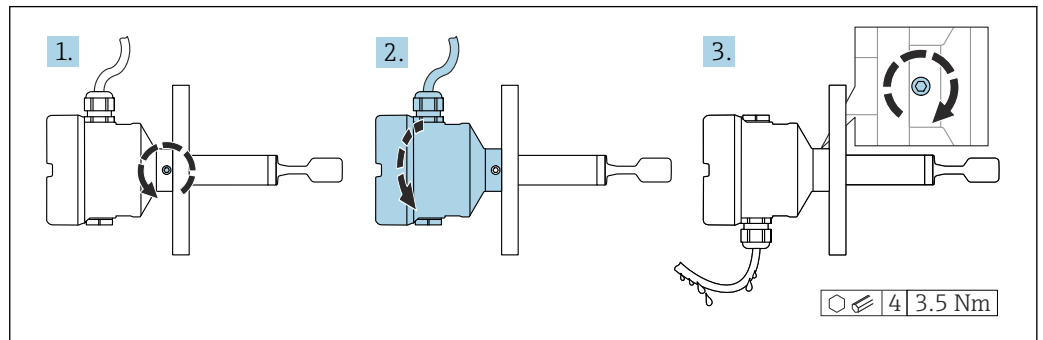
Installing in pipes

- Flow velocity up to 5 m/s with a viscosity of 1 mPa·s and density of 1 g/cm³ (SGU).
Check for correct functioning in the event of other process medium conditions.
- Flow velocity > 2 m/s: Separate the tuning fork from the direct flow of media by using design features such as a bypass or pipe expansion for reduction.
- The flow will not be significantly impeded if the tuning fork is correctly aligned and the marking is pointing in the direction of flow.
- The marking is visible when installed.



11 Installation in pipes (take fork position and marking into consideration)

Aligning the cable entry



12 Housing with external locking screw and drip loop

i The locking screw is not tightened when the device is delivered.

1. Loosen the external locking screw (maximum 1.5 turns).
2. Turn the housing, align the cable entry.
 - ↳ Avoid moisture in the housing, provide a loop to allow moisture to drain off.
3. Tighten the external locking screw.

5.3 Post-mounting check

- Is the device undamaged (visual inspection)?
- Does the measuring device meet the measuring point specifications?

For example:

- Process temperature
- Process pressure
- Ambient temperature
- Measuring range

- Are the measuring point number and labeling correct (visual inspection)?
- Is the device adequately protected from wet conditions and direct sunlight?
- Is the device properly secured?

6 Electrical connection

6.1 Required tool

- Screwdriver for electrical connection
- Allen key for screw of cover lock

6.2 Connection requirements

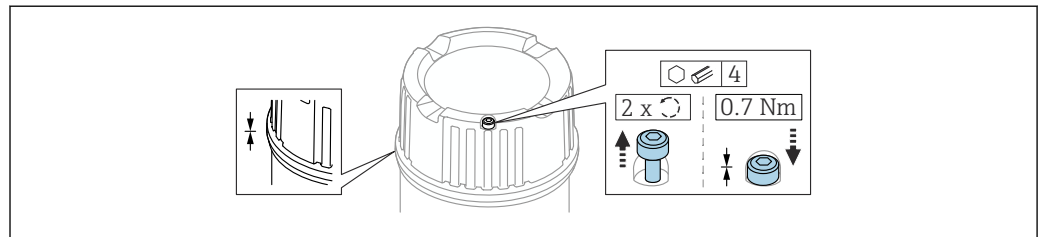
6.2.1 Cover with securing screw

In the case of devices for use in the hazardous area with a certain type of protection, the cover is sealed by a securing screw.

NOTICE

If the securing screw is not positioned correctly, the cover cannot provide secure sealing.

- ▶ Open the cover: slacken the screw of the cover lock with a maximum of 2 turns so that the screw does not fall out. Fit the cover and check the cover seal.
- ▶ Close the cover: screw the cover securely onto the housing, making sure that the securing screw is positioned correctly. There should not be any gap between the cover and housing.



13 Cover with securing screw

6.2.2 Connecting protective earth (PE)

When the device is used in hazardous areas, it must always be included in the potential equalization of the system, irrespective of the operating voltage. This is possible by connecting to the inner or outer protective ground connection (PE).

6.3 Connecting the device

i Housing thread

The thread of the electronics and connection compartment is coated with lubricant varnish.

- ✘ Avoid additional lubrication.

6.3.1 2-wire density (electronic insert FEL60D) for density measurement

NOTICE

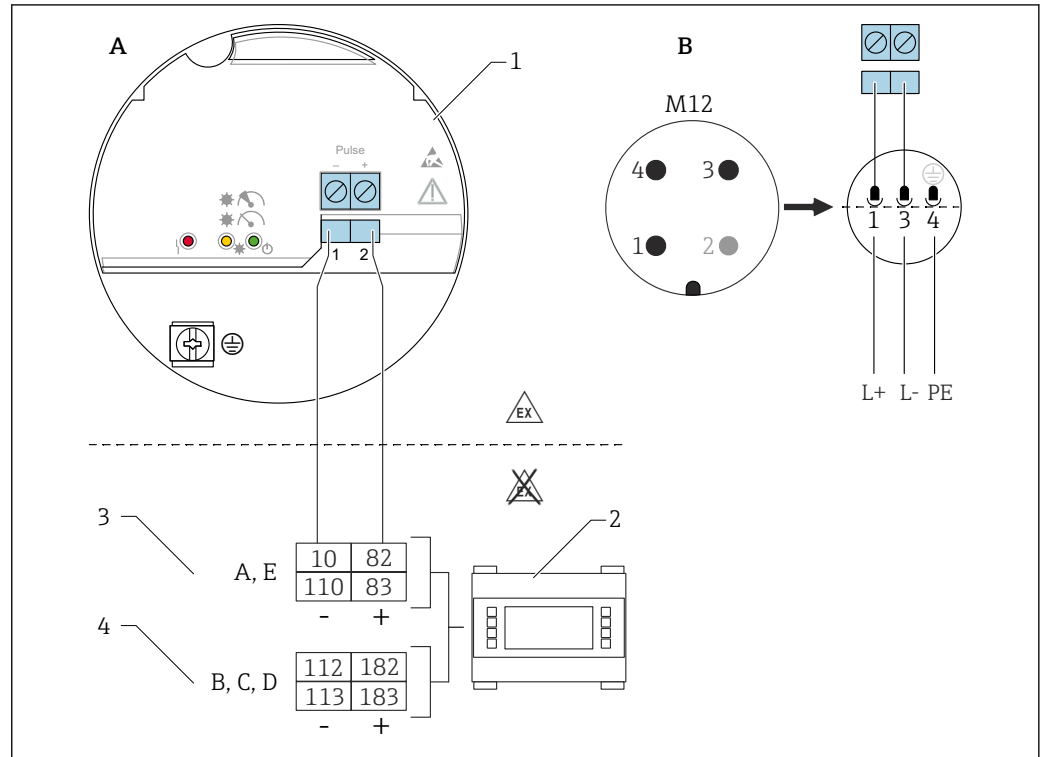
Operation with other switching units is not permitted.

Destruction of electronic components.

- ▶ Do not install the FEL60D electronic insert in devices that were originally used as point level switches.

Terminal assignment

The output signal of the density sensor is based on pulse technology. With the aid of this signal, the fork frequency is continuously forwarded to the Density Computer FML621.



14 Connection diagram: Connecting the FEL60D electronic insert to the Density Computer FML621

- A Connection wiring with terminals
- B Connection wiring with M12 plug in housing according to EN61131-2 standard
- 1 Electronic insert FEL60D
- 2 Density Computer FML621
- 3 Slots A, E with extension cards (already included in the basic unit)
- 4 Slots B, C, D with extension cards (optional)

Supply voltage

$U = 24 V_{DC} \pm 15 \%$, only suitable for connecting to the Density Computer FML621

Power consumption

$P < 160 \text{ mW}$

Current consumption

$I < 10 \text{ mA}$


Overvoltage protection

Overvoltage category II

Adjustment

There are 3 different types of adjustment:

- Standard adjustment (order configuration):
Two fork parameters are determined at the factory to describe the sensor characteristics and are provided in the calibration report with the product. These parameters must be transmitted to the Density Computer FML621.
- Special adjustment (select in the Product Configurator):
Three fork parameters are determined at the factory to describe the sensor characteristics and are provided in the calibration report with the product. These parameters must be transmitted to the Density Computer FML621.
This type of adjustment achieves an even higher level of accuracy.
- Field adjustment:
With a field adjustment, the density determined by the user is transmitted to the FML621.

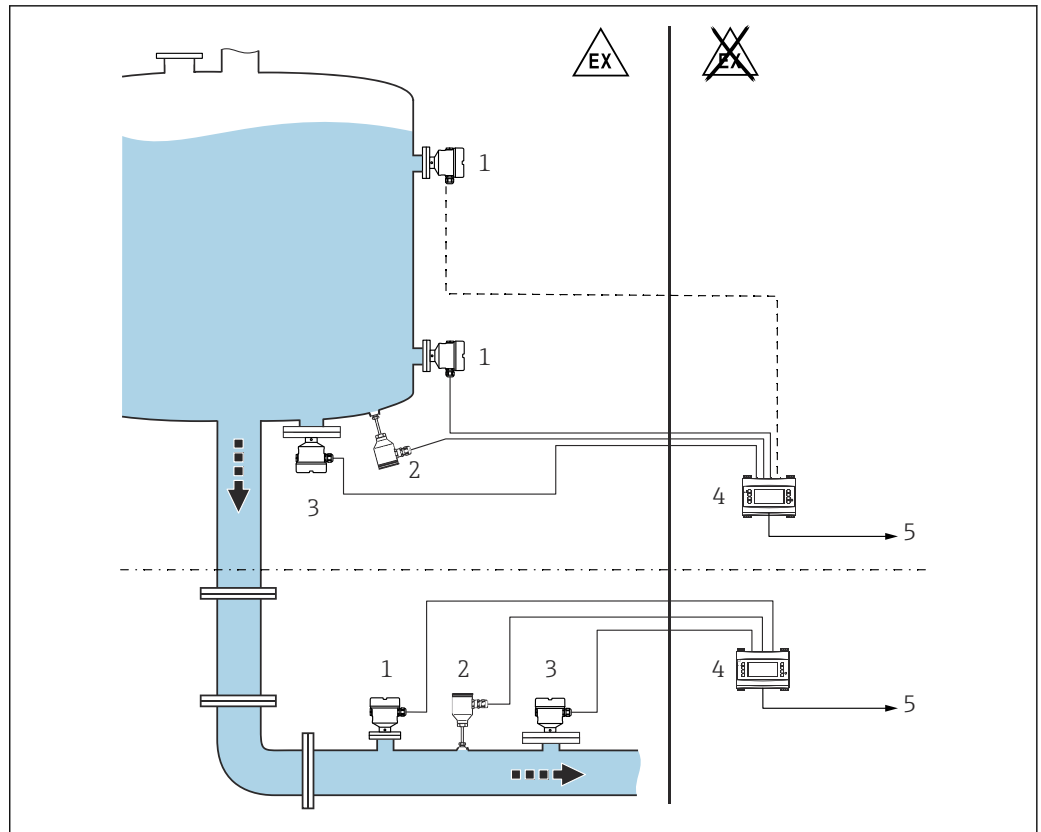
 All the necessary parameters of the Liquiphant Density are documented in the **adjustment report** and in the **sensor pass**.

The documents are included in the scope of delivery.

 Further information and the documentation currently available can be found on the Endress+Hauser website: www.endress.com → Downloads.

Density measurement

The Liquiphant Density measures the density of a liquid medium in pipes and tanks. The device is suitable for all Newtonian - ideal viscous - fluids. In addition, the device is also suitable for use in hazardous areas.



A0039632

15 Density measurement with Density Computer FML621

- 1 Liquiphant Density → Pulse output
- 2 Temperature sensor, e.g. 4 to 20 mA output
- 3 Pressure transmitter 4 to 20 mA output required for changes in pressure >6 bar
- 4 Liquiphant Density Computer FML621 with display and operating unit
- 5 PLC

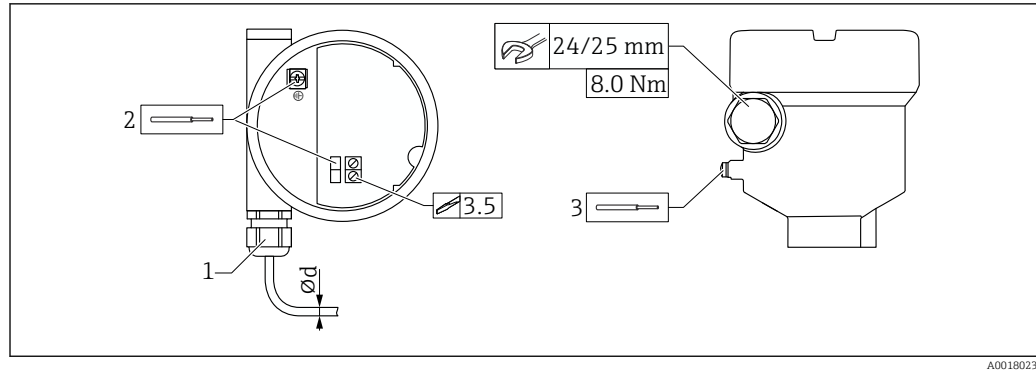
i The measurement can be affected by:

- Air bubbles at the sensor
- Unit not fully covered by medium
- Solid media buildup on sensor
- High flow velocity in pipes
- Severe turbulence in the pipe due to inlet and outlet runs that are too short
- Corrosion of the fork
- Non-Newtonian - non-ideal viscous - behavior of the fluids

6.3.2 Connecting the cables

Required tools

- Flat-blade screwdriver (0.6 mm x 3.5 mm) for terminals
- Suitable tool with width across flats AF24/25 (8 Nm (5.9 lbf ft)) for M20 cable gland



16 Example of coupling with cable entry, electronic insert with terminals

- 1 M20 coupling (with cable entry), example
 - 2 Conductor cross-section maximum 2.5 mm^2 (AWG14), ground terminal on inside in housing + terminals on the electronics
 - 3 Conductor cross-section maximum 4.0 mm^2 (AWG12), ground terminal on outside of the housing (example: plastic housing with outer protective ground connection (PE))
- Ød Nickel-plated brass 7 to 10.5 mm (0.28 to 0.41 in),
 Plastic 5 to 10 mm (0.2 to 0.38 in),
 Stainless steel 7 to 12 mm (0.28 to 0.47 in)

i Pay attention to the following when using the M20 coupling

Following cable entry:

- Counter-tighten the coupling
- Tighten the union nut of the coupling with 8 Nm (5.9 lbf ft)
- Screw the enclosed coupling into the housing with 3.75 Nm (2.76 lbf ft)

6.3.3 Post-connection check

- Is the device or cable undamaged (visual inspection)?
- Do the cables used comply with the requirements?
- Do the mounted cables have adequate strain relief?
- Are the cable glands mounted and firmly tightened?
- Does the supply voltage match the information on the nameplate?
- No reverse polarity, is terminal assignment correct?
- If supply voltage is present, is the green LED lit?
- Are all the housing covers installed and tightened?
- Optional: Is the cover tightened with securing screw?

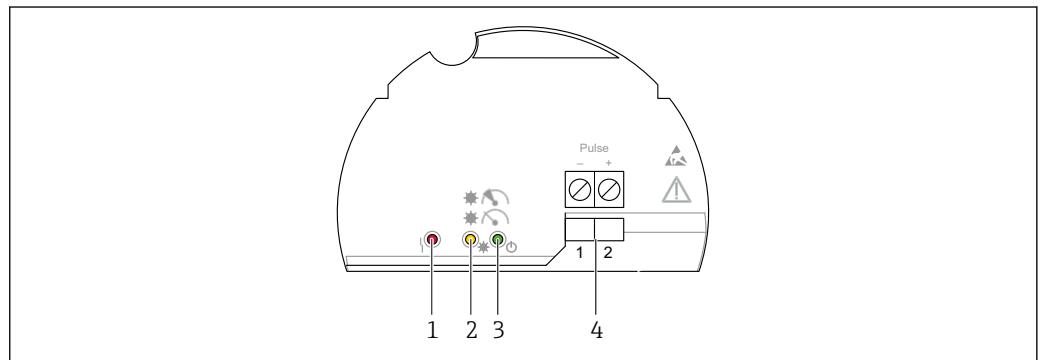
7 Operation options

7.1 Overview of operation options

7.1.1 Operating concept

Operation with the Density Computer FML621. For details, see documentation for the Density Computer FML621.

7.1.2 Elements on the electronic insert



17 Electronic insert FEL60D

- 1 LED red, for warning or alarm
- 2 LED yellow, stability of measurement
- 3 LED green, operational status (device is on)
- 4 Pulse output terminals

8 Commissioning

8.1 Function check

Before commissioning the measuring point, check whether the post-mounting and post-connection checks (checklist) have been performed:

- "Post-mounting check" section
- "Post-connection check" section

8.2 Switching on the device

- ▶ Switch on

↳ The green LED is lit and the yellow LED flashes 2-3 times



The measurement is stable if both LEDs (green and yellow) are then lit.

9 Operation


9.1 Light signals

Yellow LED

Symbols, information

 /  Stable measurement

 /  Unstable measurement/process conditions

 Maintenance required

Green LED

Symbols, information

 /  Power on

 /  Power off

Red LED

Symbols, information

 /  No fault

 Maintenance required

 Device failure



For more information, see the Technical Information for Liquiphant Density.


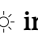
10 Diagnostics and troubleshooting

The device indicates warnings and errors via the LEDs on the electronic insert. The errors diagnosed by the device are displayed in accordance with NE107. Depending on the diagnostic message, the device behaves as per a warning or fault condition.

The device behaves in accordance with NAMUR Recommendation NE131 "NAMUR standard device requirements for field devices for standard applications".

10.1 Diagnostic information via light emitting diodes

10.1.1 LED at electronic insert

  **indicator: power supply or off**


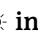
- No supply voltage present: check supply voltage
- Reverse polarity: check terminal assignment
- Signal line is defective: check signal line
- Incorrect terminal assignment at FML: check terminal configuration at FML621

  **indicator: unstable process conditions**

- Extreme vibrations from an external source: isolate measuring point from vibrations
- Extremely turbulent flow: provide a calming section
- Flow rate > 2 m/s: keep tuning fork away from direct flow of medium
- Buildup: remove buildup, allow for cleaning intervals

  **indicator: maintenance required**

- Extreme vibrations from an external source: isolate measuring point from vibrations
- Flow rate > 2 m/s: keep tuning fork away from direct flow of medium
- Buildup: remove buildup, allow for cleaning intervals
- Tuning fork is blocked: change installation position

  **indicator: device failure**

- Electronic insert is defective: replace electronic insert
- No connection to sensor: replace sensor

10.2 Firmware history

V01.00.zz (06.2019)

- Valid for electronic insert: FEL60D
- Valid from documentation version: BA02047F/00/EN/01.19 (Liquiphant FTL62 Density)
- Changes: none; 1st version (original software)

11 Maintenance

No special maintenance work is required.

11.1 Maintenance tasks

11.1.1 Cleaning

It is not permitted to use the device with abrasive media. Material abrasion on the tuning fork can result in the device malfunctioning.

- Clean the tuning fork as necessary
- Cleaning is also possible in the installed state, e. g. CIP Cleaning in Place and SIP Sterilization in Place


12 Repair

12.1 General notes

12.1.1 Repair concept

Endress+Hauser repair concept

- The devices have a modular design
- Customers can carry out repairs

 For more information on service and spare parts, please contact your Endress+Hauser sales representative.

12.1.2 Repair of Ex-certified devices

WARNING

Incorrect repair can affect electrical safety!

Explosion Hazard!

- ▶ Only specialist personnel or the Endress+Hauser service team may carry out repairs on Ex-certified devices.
- ▶ Relevant standards and national regulations on hazardous areas, safety instructions and certificates must be observed.
- ▶ Use only original Endress+Hauser spare parts.
- ▶ Please note the device designation on the nameplate. Only identical parts may be used as replacements.
- ▶ Carry out repairs according to the instructions.
- ▶ Only the Endress+Hauser service team is permitted to modify a certified device and convert it to another certified version.
- ▶ All repairs and modifications must be documented.

12.2 Spare parts

- Some replaceable device components are identified by a spare part nameplate. This contains information about the spare part.
- All the spare parts for the measuring device, along with the order code, are listed in the *W@M Device Viewer* (www.endress.com/deviceviewer) and can be ordered. If available, users can also download the associated Installation Instructions.



Device serial number or QR code:

Located on the device and spare part nameplate.

12.3 Return

The requirements for safe device return can vary depending on the device type and national legislation.

1. Refer to the web page for information:
<http://www.endress.com/support/return-material>
 - ↳ Select the region.
2. Return the device if repairs or a factory calibration are required, or if the wrong device was ordered or delivered.

12.4 Disposal



If required by the Directive 2012/19/EU on waste electrical and electronic equipment (WEEE), the product is marked with the depicted symbol in order to minimize the disposal of WEEE as unsorted municipal waste. Do not dispose of products bearing this marking as unsorted municipal waste. Instead, return them to the manufacturer for disposal under the applicable conditions.

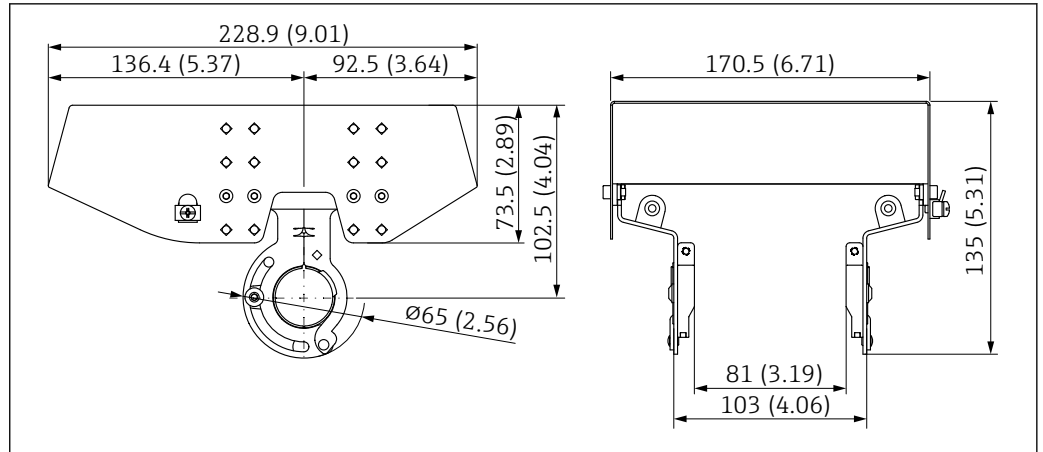
13 Accessories for Liquiphant Density

13.1 Device Viewer

All the spare parts for the device, along with the order code, are listed in the *Device Viewer* (www.endress.com/deviceviewer).

13.2 Weather protection cover for dual compartment housing, aluminum

- Material: stainless steel 316L
- Order number: 71438303

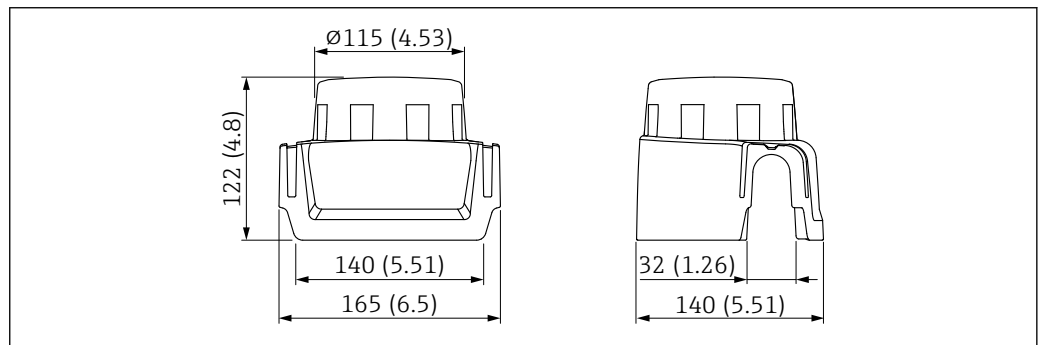


A0039231

18 Weather protection cover for dual compartment housing, aluminum. Unit of measurement mm (in)

13.3 Weather protection cover for single compartment housing, aluminum or 316L, cast

- Material: plastic
- Order number: 71438291



A0038280

19 Weather protection cover for single compartment housing made of aluminum or 316L, cast. Unit of measurement mm (in)

13.4 M12 socket

- i** The M12 sockets listed are suitable for use in the temperature range -25 to +70 °C (-13 to +158 °F).

M12 socket IP69

- Terminated at one end
- Angled
- 5 m (16 ft) PVC cable (orange)
- Slotted nut 316L (1.4435)
- Body: PVC
- Order number: 52024216

M12 socket IP67

- Angled
- 5 m (16 ft) PVC cable (gray)
- Slotted nut Cu Sn/Ni
- Body: PUR
- Order number: 52010285

13.5 Additional accessories



Documentation currently available can be found on the Endress+Hauser website:
www.endress.com → Downloads.

14 Accessories for Density Computer FML621

14.1 Device Viewer

All the spare parts for the device, along with the order code, are listed in the *Device Viewer* (www.endress.com/deviceviewer).

14.2 General

RXU10-A1

Cable set for Density Computer FML621 for connecting to a PC or modem

FML621A-AA

Remote display for panel mounting:

- B: 144 mm (5.67 in)
- H: 72 mm (2.83 in)
- T: 43 mm (1.69 in)

RMS621A-P1

PROFIBUS interface

51004148

Adhesive label, printed, max. 2 x 16 characters

51002393

Metal sign for TAG number

51010487

Sign, paper, TAG 3 x 16 characters

14.3 Extension cards

The device can be extended with a maximum of three universal or digital or current or Pt100 cards.

FML621A-DA

Digital

- 6 x digital input
- 6 x relay output
- Kit with terminals and fixing frame

FML621A-DB

Digital, ATEX-approved

- 6 x digital input
- 6 x relay output
- Kit with terminals

FML621A-CA

2x U, I, TC

- 2x 0 to 20 mA or 4 to 20 mA per pulse
- 2x digital
- 2x SPST relay

FML621A-CB

Multifunction, 2x U, I, TC ATEX

- 2x 0 to 20 mA or 4 to 20 mA per pulse
- 2x digital
- 2x SPST relay

FML621A-TA

Temperature (Pt100/Pt500/Pt1000)

Complete, including terminals and securing frame

FML621A-TB

Temperature, ATEX-approved (Pt100/PT500/PT1000)

Complete, including terminals

FML621A-UA

Universal - PFM or pulse or analog or transmitter power supply

Complete, including terminals and securing frame

FML621A-UB

Universal ATEX-approved - PFM or pulse or analog or transmitter power supply

Complete, including terminals

14.4 PROFINET® Interface

Order code RMS621A-P2

15 Technical data

15.1 Input

15.1.1 Measured variable

Density of liquids

15.1.2 Measuring range

Density range: 0.3 to 2 g/cm³

15.2 Output

15.2.1 Output and input variants

2-wire density (FEL60D) for density measurement

Connection to Density Computer FML621

15.2.2 Ex connection data

See safety instructions (XA): All data relating to explosion protection are provided in separate Ex documentation and are available from the Downloads Area of the Endress+Hauser-website. The Ex documentation is supplied as standard with all Ex devices.

15.3 Environment

15.3.1 Ambient temperature range

-40 to +70 °C (-40 to +158 °F)

In the hazardous area, the permitted ambient temperature can be limited depending on the zones and gas groups. Pay attention to the information in the Ex documentation (XA).

The minimum permitted ambient temperature of the plastic housing is limited to -20 °C (-4 °F); for North America, "indoor use" applies.

Outdoor operation in strong sunlight:

- Mount the device in the shade
- Avoid direct sunlight, particularly in warmer climatic regions
- Use a protective cover, which can be ordered as an accessory

15.3.2 Storage temperature

-40 to +80 °C (-40 to +176 °F)

15.3.3 Humidity

Operation up to 100 %. Do not open in a condensing atmosphere.

15.3.4 Operating altitude

As per IEC 61010-1 Ed.3:

- Up to 2 000 m (6 600 ft) above sea level
- Can be extended to 3 000 m (9 800 ft) above sea level if overvoltage protection is used

15.3.5 Climate class

As per IEC 60068-2-38 test Z/AD


15.3.6 Degree of protection

In accordance with DIN EN 60529, NEMA 250

IP66/IP68 NEMA 4X/6P

Types of housing:

- Single compartment; plastic
- Single compartment; aluminum, coated; Ex d/XP
- Single compartment; 316L, cast; Ex d/XP
- Dual compartment L-shaped, aluminum, coated; Ex d/XP

 If the "M12 plug" option is selected as the electrical connection, **IP66/67 NEMA TYPE 4X** applies for all housing types.

15.3.7 Vibration resistance

As per IEC60068-2-64-2009

$a(\text{RMS}) = 50 \text{ m/s}^2$, $f = 5 \text{ to } 2\,000 \text{ Hz}$, $t = 3 \text{ axes} \times 2 \text{ h}$

15.3.8 Shock resistance

In accordance with IEC60068-2-27-2008: $300 \text{ m/s}^2 [= 30 g_n] + 18 \text{ ms}$

g_n : standard acceleration of gravity

15.3.9 Mechanical load

Support the device in the event of severe dynamic load. Maximum lateral loading capacity of the pipe extensions and sensors: 75 Nm (55 lbf ft).

 For more details, see the "Supporting the device" section.

15.3.10 Pollution degree

Pollution degree 2

15.3.11 Electromagnetic compatibility

Electromagnetic compatibility as per EN 61326 series and NAMUR recommendation EMC (NE21).

15.4 Process

15.4.1 Process temperature range

0 to 80 °C (32 to 176 °F)

15.4.2 Thermal shock

≤ 120 K/s


15.4.3 Process pressure range

-1 to +25 bar (-14.5 to +362.5 psi)



WARNING

The maximum pressure for the device depends on the lowest-rated element, with regard to pressure, of the selected component. This means that it is necessary to pay attention to the process connection as well as the sensor.

- ▶ Pressure specifications, see the associated Technical Information.
- ▶ Only operate the device within the specified limits!
- ▶ The Pressure Equipment Directive (2014/68/EU) uses the abbreviation "PS". The abbreviation "PS" corresponds to the MWP (maximum working pressure) of the device.

 Canadian CRN approval: more details about the maximum pressure values are available in the download area of the product page under: www.endress.com → Downloads.

15.5 Additional technical data

-  Technical information Liquiphant FTL62 Density: TI01553F
-  Technical information Liquiphant FTL62: TI01539F

Index

A

- About this document
- Symbols - description 5

C

- CE mark (Declaration of Conformity) 7

D

- Declaration of Conformity 7
- Disposal 26
- Document
- Purpose 5

E

- Electrical connection
- Terminal assignment 18

I

- Identifying the device 9
- Incoming acceptance 8
- Inspection 8

M

- Mounting
- Mounting requirements 10

N

- Nameplate 9

O

- Operational safety 7

P

- Post-connection check 22
- Product description
- Product design 7
- Product safety 7
- Purpose of this document 5

R

- Repair concept 25
- Requirements for the personnel 6
- Return 26

S

- Securing screw 18
- Spare parts 26
- Nameplate 26

T

- Technical data
- Measured variables
- Measuring ranges 29
- Process range 31
- Transport
- Handling
- Protecting the coating 9

W

- W@M Device Viewer 9, 26
- Workplace safety 6



71578263

www.addresses.endress.com
