

Installation Instructions

Kit CM14

Adapter frame for installation of CM14 in existing cabinet cut-outs



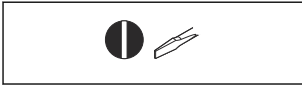
1 Identification

1.1 Scope of delivery

The scope of delivery comprises:

- 1 adapter frame 92 x 92 mm
- 1 self-adhesive seal
- 1 x Installation Instructions EA01083C

1.2 Tools list



A0046349

1.3 Documentation

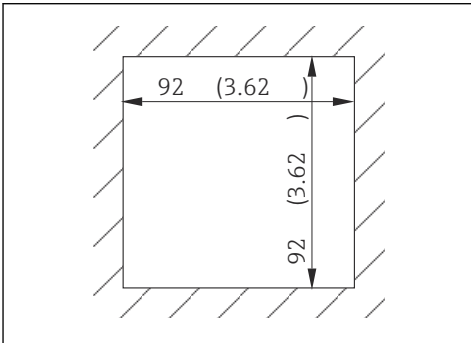


Liquiline CM14 Operating Instructions

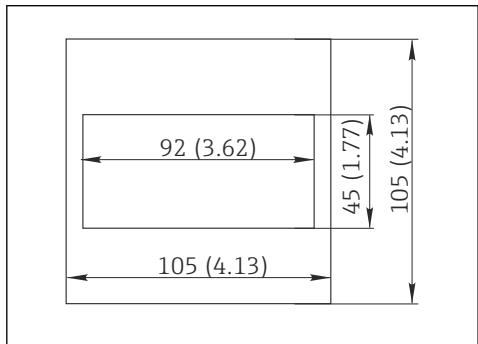
- Transmitter for conductivity: BA01030C
- Transmitter for pH and ORP: BA01032C
- Transmitter for oxygen: BA01033C

2 Mounting

2.1 Mounting requirements



A0047400

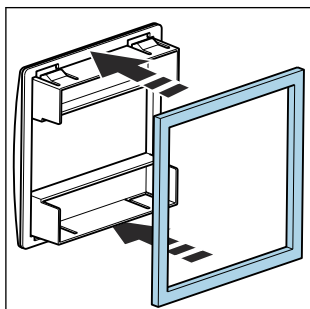


A0047397

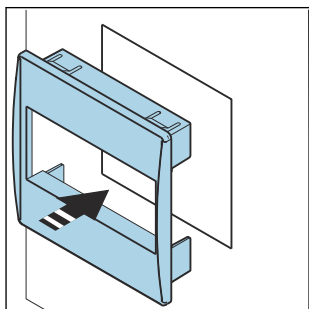
1 Cabinet cut-out in mm (in)

2 Adapter frame when installed

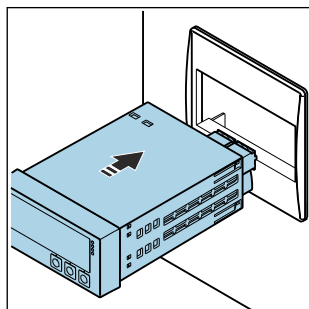
2.2 Mounting the measuring device in the adapter frame



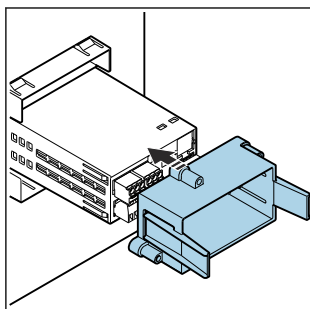
3



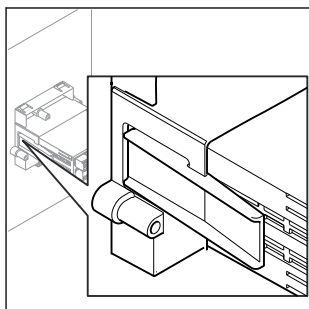
4



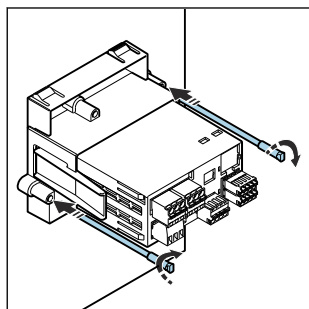
5



6



7



8

1. → 3: Detach the pre-cut seal from the mold provided and glue it to the adapter frame from behind.
2. → 4: Slide the adapter frame from the outside into the appropriate cabinet cut-out.
 - ↳ The frame is held in place on the inside by its tension springs.
3. → 5: Slide the CM14 from the outside through the adapter frame.
4. → 6: Slide the CM14 retaining frame onto the rear of the device as far as it will go.
 - ↳ The retaining frame must snap into the farthest slot.(→ 7)
5. → 8: Hand-tighten the two tensioning screws belonging to the device at the points indicated until the device is securely positioned in the cut-out.
 - ↳ The seal glued on in the first step is pressed against the cabinet cut-out and thus fulfills its function. The type of protection approved for this product is guaranteed.



71554634

www.addresses.endress.com
