

Technical Information

Raman Rxn2 Mobile Cart

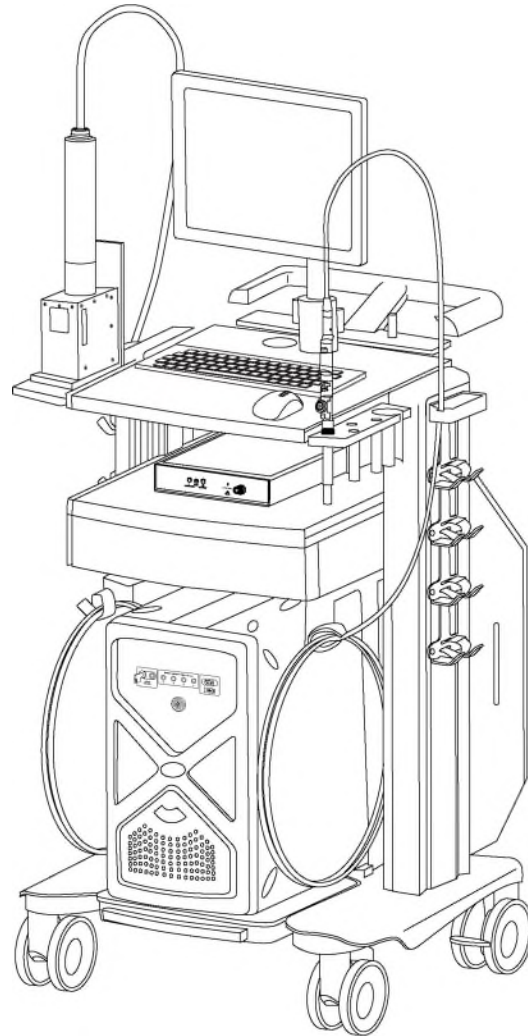


Table of Contents

Function and system design 4
Introduction 4
Mobile cart for embedded Raman Rxn2 analyzers 4
General features 5

Specifications 6
Dimensions..... 6
Mobile cart 7

Function and system design

Introduction

An ergonomic mobile cart is available as an option for all embedded Raman Rxn2 and RamanRxn2 configurations. The mobile cart includes a secure analyzer mounting location, built-in probe and optic storage for many different probe types, a mount for the routine-analysis sample compartment, fiber storage, and mounting provisions for the instrument control Human Machine Interface (HMI).

Mobile cart for embedded Raman Rxn2 analyzers

This cart is for use with all embedded Raman Rxn2 analyzers. It includes a Video Electronics Standards Association (VESA) mount touchscreen, wireless keyboard, and mouse. The touchscreen is shipped separately and installed during commissioning. The Raman Rxn2 analyzer is purchased and shipped separately and installed to the cart during commissioning.

The mobile cart is pre-wired with the following cables:

- [International Electrotechnical Commission](#) (IEC) C14 Alternating Current (AC) power inlet.
- AC power cords: Analyzer (bottom shelf) and two accessories (mid-shelf).
- Touchscreen cables: Direct Current (DC) power, video, and Universal Serial Bus (USB).
- Network connectivity cables.

General features

The features of the Raman Rxn2 care are shown below:

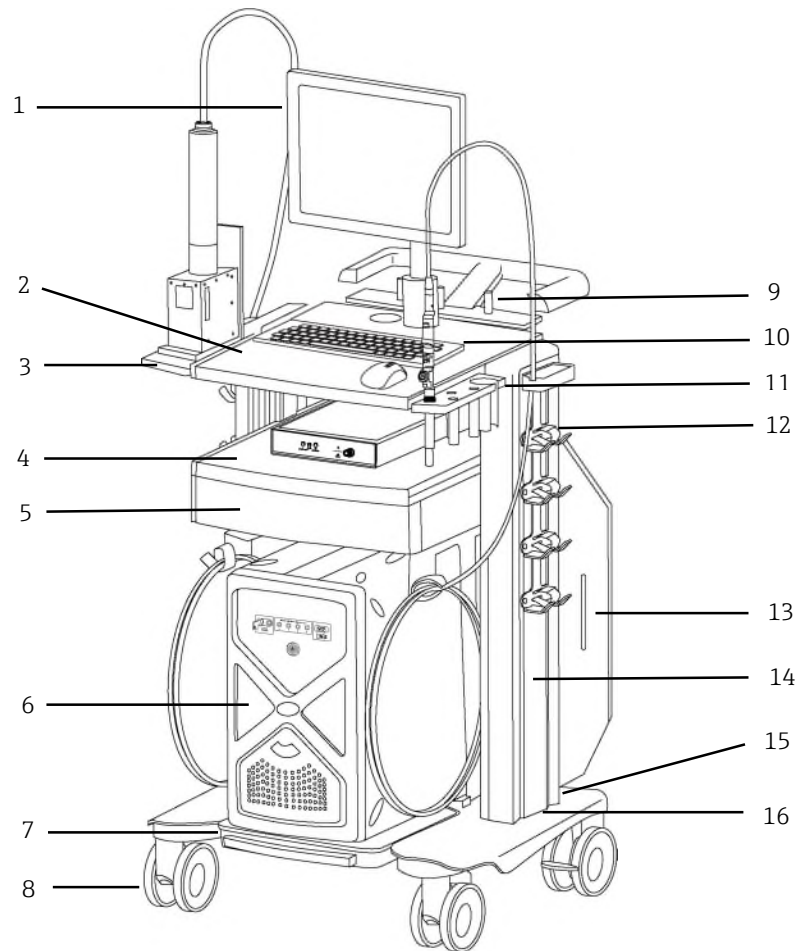


Figure 1. General features

#	Name	Description
1	Touchscreen	A pre-wired and configured touchscreen monitor.
2	Primary Work Surface	The main work space.
3	Accessory Mounting Shelf	The storage space for the optional Enclosed Sample compartment.
4	Accessory Shelf	The storage location for the optional Calibration Accessory, Calibration Tool, and related items.
5	Storage Drawer	A storage space for power cords and related items.
6	Analyzer	The storage space for the Raman Rxn2 embedded analyzer.
7	Bumper	A protective bumper.
8	Wheels	A set of four 5" polyurethane locking caster wheels.
9	Rear Probe Storage	The primary storage space for probes.
10	Keyboard/Mouse	An optional keyboard and mouse for the primary work surface.
11	Side Probe Storage	A second storage space for probes.
12	Fiber Cable Management	A set of spaces for conveniently storing power cords.
13	Rear Cover	A removable rear cover
14	Uprights	A pair of extruded aluminum uprights to support the cart structure.
15	Power Connection	A power outlet.
16	Label	A product identification label.

Table 1. General features

Specifications

Dimensions

The height, width, and length of the Mobile Cart are shown below:

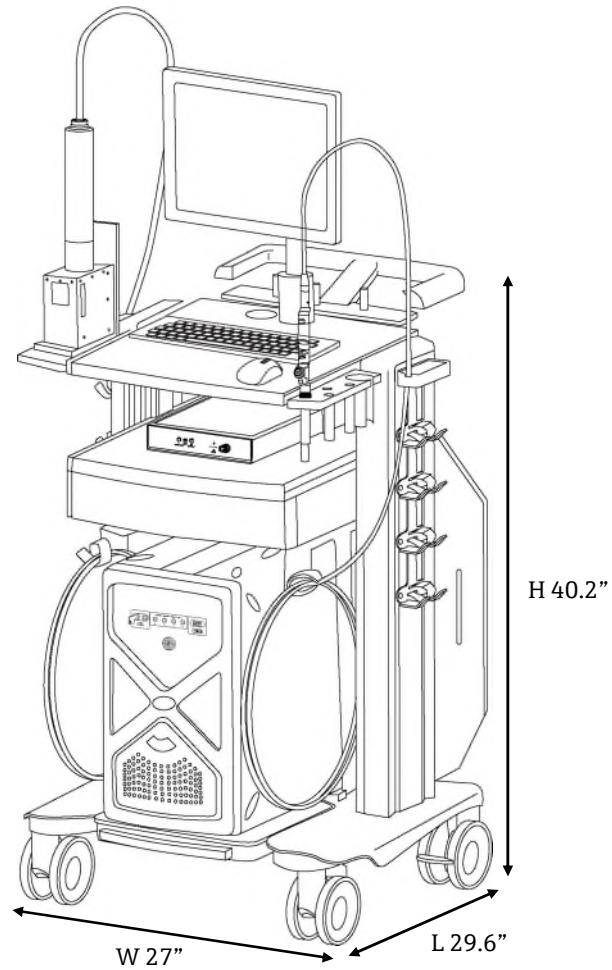


Figure 2. Mobile Cart dimensions

Name	Description
Height	40.2"
Width	27"
Length	29.6"

Table 2. Mobile Cart dimensions

Mobile cart

The mobile cart specifications are listed below:

Item	Description
Dimensions	<ul style="list-style-type: none"> ▪ Cart. 27.0" W × 40.2" H (table top) × 29.6" L (685 × 1022 × 753 mm). ▪ Shipping Crate. 35.5" W × 61.0" H × 50.3" L (902 × 1549 × 1276 mm).
Weight	<ul style="list-style-type: none"> ▪ Cart. 130 lbs (59 kg). ▪ Shipping Crate. ~ 395 lbs (179 kg), depends on cart and accessory configuration.
Materials of Construction	<p>Cart</p> <ul style="list-style-type: none"> ▪ Aluminum and steel with durable powdercoat finish. ▪ High Density Polyethylene (HDPE) and Delrin probe storage and accessory shelves. ▪ Polyurethane wheel treads with polyamide locking casters. <p>Shipping Crate</p> <ul style="list-style-type: none"> ▪ Heat treated wood, ISPM 15 compliant and marked.
Instrument Compatibility	<ul style="list-style-type: none"> ▪ Embedded Raman Rxn2 analyzer. See customer drawing 3000183.
Wiring	<ul style="list-style-type: none"> ▪ Pre-wired for embedded Raman Rxn2 installation including: analyzer, touchscreen HMI, and calibration accessory.
Power Supply	<ul style="list-style-type: none"> ▪ Universal 100-240 VAC, 50-60 Hz, 10 A max with IEC C14 inlet. ▪ 3 m US mains power cord included.
Network Connectivity	<ul style="list-style-type: none"> ▪ Two RJ45 10/100/1000 Ethernet connectors for analyzer automation protocols. (Embedded Raman Rxn2 only.)

Table 3. Mobile cart specifications

www.addresses.endress.com
