

Special Documentation

Hygiene certificates

Level and pressure measuring devices



1 Hygiene certificates for level and pressure measuring devices



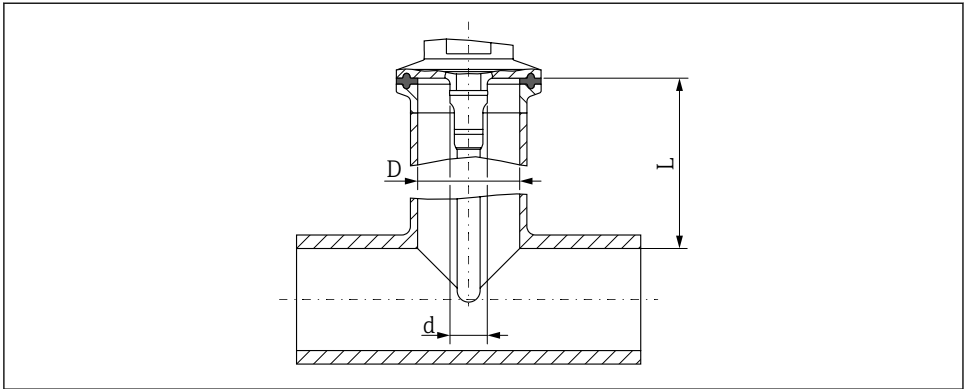
A0044871

1 Hygiene approval symbols → 3-A SSI, EHEDG EL, EHEDG ED

- 3-A SSI and EHEDG TYPE EL - Class I: Deltapilot, Cerabar, Ceraphant, Deltabar, Levelflex, Liquicap, Micropilot, Liquiphant, Liquitrend
- 3-A SSI and EHEDG TYPE ED - Class I: Nivector

2 Installation instructions

- Install the sensors according to the instructions given in EHEDG documents 8, 10 and 37. E.g. mount the sensor in a self-draining orientation, which means that the angles will be chosen in such a way that liquids can drain completely by gravity alone. In tanks the cleaning device must be positioned in such a way that the sensor is perfectly cleaned.
- Preferably do not mount on a T-piece because of dead end. If mounting on a T-piece is unavoidable, please observe the EHEDG installation guidelines for mounting on a T-piece; the ratio between the depth of the T-piece (L) and the diameter (D and d) must be $L/(D-d) < 1$ (see the EHEDG position paper) or $L/D < 2$ according to 3-A-Standard 00-XX. If the sensors are flat, the additional diameter "d" given in the position paper is not applicable; then the ratio shall be $L/D < 1$ or $L/D < 2$, see drawing.
- If cleaning in place (CIP) is required, process adapters are available that meet the 3-A requirements. If installing horizontally, ensure that the leakage hole points downwards. This ensures that any leaks can be detected as quickly as possible.



A0041791

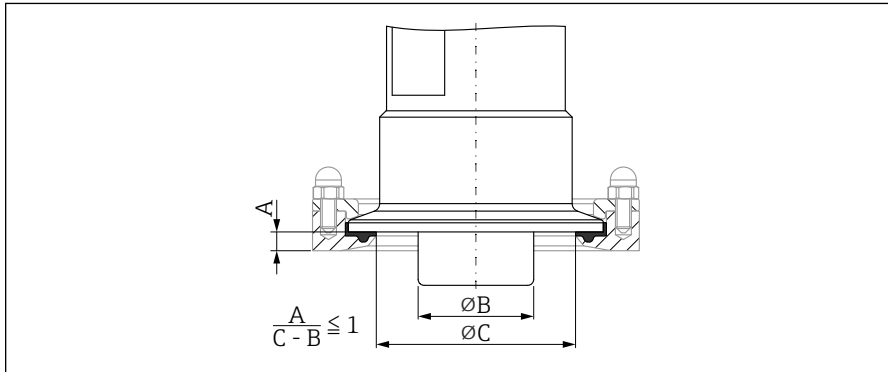
2 Relevant information for T-piece installation

- In case the sensor is applied in a tank wall the surface must be flush finished.
- Suitable pipe couplings and process connections (including special gaskets/seals) must be applied. For EHEDG applications, these shall be according to the most recent version of the EHEDG Position Paper (see the EHEDG website www.ehedg.org).
- Applied seals must be approved for food contact. For example, they must have an approval according to the applicable legislation.
- The sensors are suitable for cleaning-in-place (CIP) and sterilization-in-place (SIP) without dismantling (class I equipment), so during cleaning, the sensor must not be dismantled. The maximum allowable pressure and temperature for each sensor shall not be exceeded. See the respective “Technical Information” document for specifications.
- The wetted materials meet the requirements of FDA and 3-A-Sanitary Standard No. 74-XX. Endress+Hauser confirms this by affixing the 3-A sign to the device.
- For 3-A applications, DIN 11851 connections shall be fitted with suitable gaskets in order to meet the 3-A requirements in Std. 63-XX and CCE Bulletin 2011-3. For instance the gasket system from Siersema Componenten System (S.K.S.) B.V., the Netherlands, or ASEPTO-STAR k-flex gasket from Kieselmann GmbH, Germany, can be used.

Additional information for Nivector FTI26

Installation in a conventional T-piece or in a metal tank nozzle impacts the measuring performance of the sensor.

- ▶ The Tri-Clamp version can be installed for a hygiene-compliant connection, e.g. the NA Connect adapter.
 - ↳ This minimizes dead legs and increases cleanability.



- 3 Installation with Tri-Clamp, which can be ordered as an accessory, and with NA Connect adapter provided by customer

- A Distance between Tri-Clamp and NA Connect adapter
 B Diameter of Nivector
 C Diameter of NA Connect adapter

- Install the sensors according to the directions given in EHEDG documents 8 and 37. E.g. mount the sensor in a self-draining orientation, which means that the angles will be chosen in such a way that the product can be drained completely by gravity.
- For EHEDG, the Nivector FTI26 is only certified for dry cleaning. Under the described installation conditions, the sensor is cleaned together with the tank.

3 Certified devices

Explanation of the table headers:

- **A:** Option in the product structure
- **B:** Description of the option
- **EHEDG, 3-A:** available ✓, not available -

Deltapilot FMB50, feature 110 "Process connection"

A	B	EHEDG	3-A
MRJ	DIN11851 DN50 PN25 slotted-nut, 316L	✓	✓
MZJ	DIN11851 DN40 PN25 slotted-nut, 316L	✓	✓
NDJ	DIN11864-1 A DN50 PN16 pipe DIN11866-A, slotted-nut, 316L	✓	✓
TDJ	Tri-Clamp ISO2852 DN40-51 (2"), 316L, DIN32676 DN50	✓	✓
TRJ	Varivent N pipe DN40-162 PN40, 316L	✓	✓
UNJ	Universal adapter 44mm 316L, EPDM	✓	✓
UOJ	Universal adapter 44mm 316L, ext. 6", EPDM	✓	✓
S4J	NEUMO BioControl D50 PN16, 316L	-	✓
TXJ	SMS2" PN25, 316L	-	✓
UPJ	Universal adapter 44mm 316L, silicone form seal	-	✓
UQJ	Universal adapter 44mm 316L, ext.6", silicone form seal	-	✓
USJ	Anderson short 2-3/16", 316L, silicone seal	-	✓
UTJ	Anderson long 6-1/2", 316L, silicone seal	-	✓

Deltapilot FMB50, feature 620 "Accessory enclosed"

A	B	EHEDG	3-A
QT, QU	Weld-in adapter Uni D65, 316L	✓	✓
Q2, Q3	Weld-in adapter Uni D85, 316L	✓	✓
Q5, Q6	Weld-in adapter Uni 6" D85, 316L	✓	✓
RA, R1	Adapter Uni > DIN11851 DN40, 316L, slotted-nut	✓	✓
RB, R2	Adapter Uni > DIN11851 DN50, slotted-nut	✓	✓
RD, R4	Adapter Uni > Clamp 2", 316L	✓	✓
RE, R5	Adapter Uni > Clamp 3", 316L	✓	✓
RF, R6	Adapter Uni > Varivent N, 316L	✓	✓

Deltapilot FMB70, feature 070 "Process connection"

A	B	EHDG	3-A
M2	DIN11851 DN40 PN25 slotted-nut, 316L	✓	✓
M3	DIN11851 DN50 PN25 slotted-nut, 316L	✓	✓
ND	DIN11864-1 A DN50 PN16 pipe DIN11866-A, slotted-nut, 316L	✓	✓
TD	Tri-Clamp ISO2852 DN40-51 (2"), 316L, DIN32676 DN50	✓	✓
TR	Varivent N pipe DN40-162 PN40, 316L	✓	✓
01	Universal adapter 44mm 316L, EPDM, form seal	✓	✓
58	Universal adapter 44mm 316L, ext. 6", EPDM form seal	✓	✓
S4	NEUMO BioControl D50 PN16, 316L	-	✓
UE	SMS2" PN25, 316L	-	✓
00	Universal adapter 44mm 316L, incl. silicone form seal	-	✓
57	Universal adapter 44mm 316L, ext. 6", incl. silicone form seal	-	✓
60	Anderson short 2-3/16", 316L, incl. silicone seal	-	✓
62	Anderson long 6-1/2", 316L, incl. silicone seal	-	✓

Cerabar PMC51, feature 110 "Process connection"

A	B	EHDG ¹⁾	3-A
MRJ	DIN11851 DN50 PN25 slotted-nut, 316L, with seal FDA	✓	✓
MZJ	DIN11851 DN40 PN25 slotted-nut, 316L, with seal FDA	✓	✓
NCJ	DIN11864-1 A DN40 PN16 pipe DIN11866-A, slotted-nut, 316L, with seal FDA	✓	✓
NDJ	DIN11864-1 A DN50 PN16 pipe DIN11866-A, slotted-nut, 316L, with seal FDA	✓	✓
TDJ	Tri-Clamp ISO2852 DN40-51 (2"), 316L, DIN32676 DN50, with seal FDA	✓	✓
TFJ	Tri-Clamp ISO2852 DN76.1 (3"), 316L, with seal FDA	✓	✓
TJJ	Tri-Clamp ISO2852 DN38 (1-1/2"), 316L, DIN32676 DN40	✓	✓
TMJ	APV-Inline DN50 PN40, 316L, with seal FDA	✓	-
TQJ	Varivent F pipe DN25-32 PN40, 316L, with seal FDA	✓	✓
TRJ	Varivent N pipe DN40-162 PN40, 316L, with seal FDA	✓	✓
S4J	NEUMO BioControl D50 PN16, 316L, with seal FDA	-	✓
TXJ	SMS 1-1/2" PN25, 316L	-	✓
T7J	SMS 2" PN25, 316L	-	✓
UPJ	Universal adapter 44mm 316L, silicone form seal, with seal FDA	-	✓
UNJ	Universal adapter 44mm 316L, EPDM form seal	-	✓

1) Only in conjunction with feature 190 - option B

Cerabar PMC71, feature 070 "Process connection"

A	B	EHEDG ¹⁾	3-A ²⁾
MP	DIN11851 DN40 PN25, 316L, flush mount, slotted-nut	✓	✓
MR	DIN11851 DN50 PN25, 316L, flush mount, slotted-nut	✓	✓
TD	Tri-Clamp ISO2852 DN51 (2"), 316L, flush mount	✓	✓
TF	Tri-Clamp ISO2852 DN76.1 (3"), 316L, flush mount	✓	✓
TJ	Tri-Clamp ISO2852 DN38 (1-1/2"), flush mount	✓	✓
TR	Varivent N pipe DN40-162 PN40, 316L, flush mount	✓	✓

1) Only in conjunction with feature 080 - option G

2) Only in conjunction with feature 080 - option B, F, G

Cerabar PMP51, feature 110 "Process connection"

A	B	EHEDG	3-A
GZJ	Thread ISO228 G1 O-ring groove	-	✓
MIJ	DIN11851 DN32 PN40 slotted-nut, 316L	✓	✓
MRJ	DIN11851 DN50 PN25 slotted-nut, 316L	✓	✓
MXJ	DIN11851 DN25 PN40 slotted-nut, 316L	✓	✓
MZJ	DIN11851 DN40 PN40 slotted-nut, 316L	✓	✓
S1J	NEUMO BioControl D25 PN16, 316L	-	✓
S4J	NEUMO BioControl D50 PN16, 316L	-	✓
TBJ	Clamp ISO2852 DN18-22, 316L	✓	✓
TCJ	Tri-Clamp ISO2852 DN25 (1"), 316L	✓	✓
TDJ	Tri-Clamp ISO2852 DN40-51 (2"), 316L	✓	✓
TJJ	Tri-Clamp ISO2852 DN38 (1-1/2"), 316L	-	✓
TPJ	Varivent B pipe DN10-15 PN40, 316L	-	✓
TQJ	Varivent F pipe DN25-32 PN40, 316L	✓	✓
TRJ	Varivent N pipe DN40-162 PN40, 316L	-	✓
TXJ	SMS 2" PN25, 316L	-	✓
T6J	SMS 1" PN25, 316L	-	✓
T7J	SMS 1-1/2" PN25, 316L	-	✓

Cerabar PMP55, feature 110 "Process connection"

A	B	EHEDG	3-A
MIJ	DIN11851 DN32 PN40 slotted-nut, 316L	✓	✓
MRJ	DIN11851 DN50 PN25 slotted-nut, 316L	✓	✓
MSJ	DIN11851 DN25 PN40 slotted-nut, 316L	✓	✓
MTJ	DIN11851 DN40 PN40 slotted-nut, 316L	✓	✓
MZJ	DIN11851 DN40 PN40 slotted-nut, 316L	✓	✓
NCJ	DIN11864-1 A DN40 PN40 pipe DIN11866-A, slotted-nut, 316L	✓	✓
NDJ	DIN11864-1 A DN50 PN25 pipe DIN11866-A, slotted-nut, 316L	✓	✓
NFJ	DIN11864-2 A DN32 PN16 pipe DIN11866-A, collar flange, 316L	✓	✓
NXJ	DIN11864-2 A DN40 PN16 pipe DIN11866-A, collar flange, 316L	✓	✓
NZJ	DIN11864-2 A DN50 PN16 pipe DIN11866-A	✓	✓
SBJ	Tri-Clamp ISO2852 DN25 (1") RDM, 316L, RDM = flow through seal	-	✓
SCJ	Tri-Clamp ISO2852 DN38 (1-1/2") RDM, DGRL Cat.II	-	✓
SDJ	Tri-Clamp ISO2852 DN51 (2") RDM, 316L, DGRL Cat.II	-	✓
SIJ	Tri-Clamp ISO2852 DN10 (3/4") RDM, 316L	-	✓
SJJ	***Tri-Clamp ISO2852 DN16(3/4")RDM,316L	-	On request
S4J	NEUMO BioControl D50 PN16, 316L	-	✓
S6J	NEUMO BioControl D80 PN16, 316L	-	✓
TCJ	Tri-Clamp ISO2852 DN25 (1"), 316L, DIN32676 DN25, ASME-BPE	✓	✓
TDJ	Tri-Clamp ISO2852 DN40-51 (2"), 316L, DIN32676 DN50, ASME-BPE	✓	✓
TEJ	Tri-Clamp ISO2852 DN63.5 (2-1/2"), 316L, ASME-BPE	✓	✓
TFJ	Tri-Clamp ISO2852 DN76.1 (3"), 316L, ASME-BPE	✓	✓
TJJ	Tri-Clamp ISO2852 DN38 (1-1/2"), 316L, DIN32676 DN40, ASME-BPE	-	✓
TQJ	Varivent F pipe DN25-32 PN40, 316L	✓	✓
TRJ	Varivent N pipe DN40-162 PN40, 316L	-	✓
TXJ	SMS 2" PN25, 316L	-	✓
T6J	SMS 1" PN25, 316L	-	✓
T7J	SMS 1-1/2" PN25, 316L	-	✓
UPJ	Universal adapter 44mm 316L	-	✓

Cerabar PMP75, feature 070 "Process connection"

A	B	EHEDG	3-A
MI	DIN11851 DN32 PN40 slotted-nut, 316L	✓	✓
MR	DIN11851 DN50 PN25 slotted-nut, 316L	✓	✓
MS	DIN11851 DN65 PN25 slotted-nut, 316L	✓	✓
MT	DIN11851 DN80 PN25 slotted-nut, 316L	✓	✓
MZ	DIN11851 DN40 PN40 slotted-nut, 316L	✓	✓
SB	Tri-Clamp ISO2852 DN25 (1") RDM, 316L	-	✓
SC	Tri-Clamp ISO2852 DN38 (1-1/2") RDM, DGRL Cat.II	-	✓
SD	Tri-Clamp ISO2852 DN51 (2") RDM, 316L, DGRL Cat.II	-	✓
S4	NEUMO BioControl D50 PN16, 316L	-	✓
S6	NEUMO BioControl D80 PN16, 316L	-	✓
TB	Tri-Clamp ISO2852 DN25 (1"), 316L	✓	✓
TC	Tri-Clamp ISO2852 DN38 (1-1/2"), 316L, DIN32676 DN25	✓	✓
TD	Tri-Clamp ISO2852 DN51 (2"), 316L, DIN32676 DN25	✓	✓
TE	Tri-Clamp ISO2852 DN63.5 (2-1/2"), 316L	✓	✓
TF	Tri-Clamp ISO2852 DN76.1 (3"), 316L	✓	✓
TG	SMS 1" PN25, 316L	-	✓
TH	SMS 1-1/2" PN25, 316L	-	✓
TI	SMS 2" PN25, 316L	-	✓
TR	Varivent N pipe DN40-162 PN40, 316L	-	✓
TU	Varivent F pipe DN25-32 PN40, 316L	-	✓
00	Universal adapter 44mm 316L, incl. silicone form seal	-	✓

Cerabar PMP23, feature 110 "Process connection"

A	B	EHEDG	3-A
WSJ	Thread ISO228 G1 seal O-ring, 316L, flush mount, adapter	✓	✓
X2J	Thread M24, 316L, seal EPDM	✓	✓
X3J	Thread M24, 316L, seal FKM	-	✓
1DJ	DIN11851 DN50 PN25, 316L	✓	✓
1GJ	DIN11851 DN25 PN40, 316L	✓	✓
1JJ	DIN11851 DN40 PN40, 316L	✓	✓
3AJ	Clamp ISO2852 DN22, 316L, DIN32676 DN20	✓	✓
3CJ	Tri-Clamp ISO2852 DN25-38 (1-1/2"), DIN32676 DN25-38	✓	✓

A	B	EHEDG	3-A
3EJ	Tri-Clamp ISO2852 DN40-51 (2"), DIN32676 DN50	✓	✓
4QJ	SMS 1-1/2" PN25, 316L	-	✓
41J	Varivent F pipe DN25-32 PN40, 316L	✓	✓
42J	Varivent N pipe DN40-162 PN40, 316L	✓	✓
52J	Universal adapter 44mm 316L, EPDM form seal	-	✓

Ceraphant PTP33B, feature 110 "Process connection"

A	B	EHEDG	3-A
WSJ	Thread ISO228 G1 seal O-ring, 316L, flush mount, adapter	✓	✓
X2J	Thread M24, 316L, seal EPDM	✓	✓
X3J	Thread M24, 316L, seal FKM	-	✓
1DJ	DIN11851 DN50 PN25, 316L	✓	✓
1Gj	DIN11851 DN25 PN40, 316L	✓	✓
1Jj	DIN11851 DN40 PN40, 316L	✓	✓
3AJ	Clamp ISO2852 DN22, 316L	✓	✓
3CJ	Tri-Clamp ISO2852 DN25-38 (1-1/2"), DIN32676 DN25-38	✓	✓
3EJ	Tri-Clamp ISO2852 DN40-51 (2"), DIN32676 DN50	✓	✓
4QJ	SMS 1-1/2" PN25, 316L	-	✓
41J	Varivent F pipe DN25-32 PN40, 316L	✓	✓
42J	Varivent N pipe DN40-162 PN40, 316	✓	✓

Deltabar FMD71, feature 110 and 115 "Process connection"

A	B	EHEDG ¹⁾	3-A
MRJ	DIN11851 DN50 PN25 slotted-nut, 316L, with seal FDA	✓	✓
MZJ	DIN11851 DN40 PN25 slotted-nut, 316L, with seal FDA	✓	✓
NCJ	DIN11864-1 A DN40 PN16 pipe DIN11866-A, slotted-nut, 316L, with seal FDA	✓	✓
NDJ	DIN11864-1 A DN50 PN16 pipe DIN11866-A, slotted-nut, 316L, with seal FDA	✓	✓
TDJ	Tri-Clamp ISO2852 DN40-51 (2"), 316L, DIN32676 DN50, with seal FDA	✓	✓
TFJ	Tri-Clamp ISO2852 DN76.1 (3"), 316L, with seal FDA	✓	✓
TMJ	APV-Inline DN50 PN40, 316L, with seal FDA	✓	-
TQJ	Varivent F pipe DN25-32 PN40, 316L, with seal FDA	✓	✓
TRJ	Varivent N pipe DN40-162 PN40, 316L, with seal FDA	✓	✓
S4J	NEUMO BioControl D50 PN16, 316L, with seal FDA	-	✓

A	B	EHEDG ¹⁾	3-A
UNJ	Universal adapter 44mm 316L, EPDM form seal	-	✓
UPJ	Universal adapter 44mm 316L, silicone form seal, with seal FDA	-	✓

1) Only in conjunction with feature 190 - option B

Deltabar FMD72, feature 110 "Process connection"

A	B	EHEDG	3-A
MIJ	DIN11851 DN32 PN40 slotted-nut, 316L	✓	✓
MRJ	DIN11851 DN50 PN25 slotted-nut, 316L	✓	✓
MXJ	DIN11851 DN25 PN40 slotted-nut, 316L	✓	-
MZJ	DIN11851 DN40 PN40 slotted-nut, 316L	✓	✓
S1J	NEUMO BioControl D25 PN16, 316L	-	✓
S4J	NEUMO BioControl D50 PN16, 316L	-	✓
TBJ	Clamp ISO2852 DN18-22, 316L, DIN32676 DN15-20, ASME-BPE	✓	✓
TCJ	Tri-Clamp ISO2852 DN25 (1"), 316L, DIN32676 DN25, ASME-BPE	✓	✓
TDJ	Tri-Clamp ISO2852 DN40-51 (2"), 316L, DIN32676 DN50, ASME-BPE	✓	✓
TJJ	Tri-Clamp ISO2852 DN38 (1-1/2"), 316L, DIN32676 DN40, ASME-BPE	✓	✓
TMJ	APV-Inline DN50 PN40, 316L	✓	-
TPJ	Varivent B pipe DN10-15 PN40, 316L	✓	✓
TQJ	Varivent F pipe DN25-32 PN40, 316L	✓	✓
TRJ	Varivent N pipe DN40-162 PN40, 316L	✓	✓
TXJ	SMS 2" PN25, 316L	-	✓
T6J	SMS 1" PN25, 316L	-	✓
T7J	SMS 1-1/2" PN25, 316L	-	✓

Deltabar FMD78, feature 080 "Process connection"

A	B	EHEDG	3-A
MI	***DIN11851 DN32 PN40 slotted-nut, 316L	On request	On request
MR	DIN11851 DN50 PN25 slotted-nut, 316L	✓	✓
MS	DIN11851 DN65 PN25 slotted-nut, 316L	✓	✓
MT	DIN11851 DN80 PN25 slotted-nut, 316L	✓	✓
MZ	DIN11851 DN40 PN40 slotted-nut, 316L	✓	✓
S4	NEUMO BioControl D50 PN16, 316L	-	✓
S6	NEUMO BioControl D80 PN16, 316L	-	✓

A	B	EHEDG	3-A
TC	Tri-Clamp ISO2852 DN38 (1-1/2"), 316L, DIN32676 DN40	✓	✓
TD	Tri-Clamp ISO2852 DN51 (2"), 316L	✓	✓
TE	Tri-Clamp ISO2852 DN63.5 (2-1/2"), 316L	✓	✓
TF	Tri-Clamp ISO2852 DN76.1 (3"), 316L	✓	✓
TH	SMS 1-1/2" PN25, 316L	-	✓
TI	SMS 2" PN25, 316L	-	✓
TR	Varivent N pipe DN40-162 PN40, 316L	-	✓
TU	Varivent F pipe DN25-32 PN40, 316L	-	✓
WH	Sanitary Tank Spud, 316L, 2" barrel	-	✓
00	Universal adapter 44mm 316L, incl. silicone form seal	-	✓

Deltabar FMD78, feature 640 "Alternative process connection"

A	B	EHEDG	3-A
TP	DIN11851 DN32 PN40 slotted-nut, 316L,	-	✓
TR	DIN11851 DN50 PN25 slotted-nut, 316L	✓	✓
TS	DIN11851 DN65 PN25 slotted-nut, 316L	✓	✓
TT	DIN11851 DN80 PN25 slotted-nut, 316L	✓	✓
TU	DIN11851 DN40 PN40 slotted-nut, 316L	✓	✓
TV	NEUMO BioControl D50 PN16, 316L	-	✓
TW	NEUMO BioControl D80 PN16, 316L	-	✓
UA	Tri-Clamp ISO2852 DN25 (1"), 316L, DIN32676 DN25	-	✓
UB	Tri-Clamp ISO2852 DN38 (1-1/2"), 316L, DIN32676 DN40	✓	✓
UC	Tri-Clamp ISO2852 DN51 (2"), 316L	✓	✓
UD	Tri-Clamp ISO2852 DN63.5 (2-1/2"), 316L, ASME-BPE	✓	✓
UE	Tri-Clamp ISO2852 DN76.1 (3"), 316L	✓	✓
UF	SMS 1-1/2" PN25, 316L	-	✓
UG	SMS 2" PN25, 316L	-	✓
UK	Varivent F pipe DN25-32 PN40, 316L	-	✓
UT	Universal adapter 44mm 316L, incl. silicone form seal	-	✓

Levelflex FMP52, feature 100 "Process connection"

A	B	EHEDG	3-A
TAK	Tri-Clamp ISO2852 DN40-51 (2"), PTFE>316L	-	✓
TLK	Tri-Clamp ISO2852 DN70-76.1 (3"), PTFE>316L	-	✓
TNK	Tri-Clamp ISO2852 DN38 (1-1/2"), PTFE>316L	-	✓

Levelflex FMP53, feature 100 "Process connection"

A	B	EHEDG	3-A
MAJ	DIN11864-1 A DN25 pipe DIN11866-A, slotted-nut, 316L	-	✓
MDJ	DIN11864-1 A DN50 pipe DIN11866-A, slotted-nut, 316L	-	✓
MOJ	DIN11851 DN50 PN40 slotted-nut, 316L	-	✓
MPJ	DIN11851 DN50 PN40 slotted-nut, 316L	✓	-
MQJ	DIN11851 DN40 PN40 slotted-nut, 316L	-	✓
MRJ	DIN11851 DN40 PN40 slotted-nut, 316L	✓	-
S1J	NEUMO BioControl D25 PN16, 316L	-	✓
S4J	NEUMO BioControl D50 PN16, 316L	-	✓
S6J	NEUMO BioControl D80 PN16, 316L	-	✓
TDJ	Tri-Clamp ISO2852 DN40-51 (2"), 316L	-	✓
TEJ	Tri-Clamp ISO2852 DN40-51 (2"), 316L	✓	-
TFJ	Tri-Clamp ISO2852 DN70-76.1 (3"), 316L	-	✓
TGJ	Tri-Clamp ISO2852 DN70-76.1 (3"), 316L	✓	-
TOJ	Tri-Clamp ISO2852 DN25-38 (1...1-1/2")	-	✓
TPJ	Tri-Clamp ISO2852 DN25-38 (1...1-1/2")	✓	-
TSJ	Varivent N pipe DN40-162 PN16, 316L	-	✓
TXJ	SMS 2" PN25, 316L	-	✓
T7J	SMS 1-1/2" PN25, 316L	-	✓
U1J	Thread M24, 316L, install > accessory weld-in adapter	✓	✓

Liquicap FMI51, feature 050 "Process connection"

For feature 020 "Inactive length L3": only option 1			
A	B	EHEDG	3-A ¹⁾
10mm rod, feature 030 "Active length L1; insulation": only options A, H			
GQJ	Thread ISO228 G3/4, 316L, install > accessory weld-in adapter, 25 bar	✓	✓
GWJ	Thread ISO228 G1, 316L, install > accessory weld-in adapter, 25 bar	✓	✓

For feature 020 "Inactive length L3": only option 1			
A	B	EHEDG	3-A ¹⁾
TJJ	Tri-Clamp ISO2852 DN38 (1 1/2"), 316L	✓	✓
MRJ	DIN11851 DN50 PN40 slotted-nut, 316L	✓	✓
TCJ	Tri-Clamp ISO 2852 DN25 (1"), 316L	✓	✓
16mm rod; PTFE, feature 030 "Active length L1; insulation": only options B, K			
TNK	Tri-Clamp ISO2852 DN38 (1-1/2"), PTFE>316L	✓	✓
16mm rod; PFA, feature 030 "Active length L1; insulation": only options D, N			
TDK	Tri-Clamp ISO2852 DN40-51 (2"), PTFE>316L	-	✓
TJK	Tri-Clamp ISO2852 DN38 (1-1/2"), PTFE>316L	-	✓
TNJ	Tri-Clamp ISO2852 DN38 (1 1/2"), 316L, clamp, detachable	-	✓
TAK	Tri-Clamp ISO2852 DN40-51 (2"), PTFE>316	✓ ²⁾	-
TDJ	Tri-Clamp ISO2852 DN40-51 (2")	-	-

- 1) For feature 010 "Approval": except options V, W
- 2) Only in conjunction with feature 010 "Approval", options A, B, N, U

Liquicap FMI52, feature 050 "Process connection"

For feature 020 "Inactive length L3": only option 1			
A	B	EHEDG	3-A ¹⁾
10mm rod, feature 030 "Active length L1; insulation": only option A			
TCJ	Tri-Clamp ISO 2852 DN25 (1"), 316L	✓	✓
16mm rod; PFA, feature 030 "Active length L1; insulation": only option D			
TDK	Tri-Clamp ISO2852 DN40-51 (2"), PTFE>316L	-	✓
TJJ	Tri-Clamp ISO2852 DN38 (1-1/2"), 316L	✓	-
TJK	Tri-Clamp ISO2852 DN38 (1-1/2"), PTFE>316L	-	✓

- 1) For feature 010 "Approval": except options V, W

Liquicap FTI51, feature 050 "Process connection"

For feature 020 "Inactive length L3": only option A For feature 040 "Insulation": only option 1			
A	B	EHEDG	3-A ¹⁾
10mm rod; feature 030 "Active length L1; insulation": only options A, H			
GQJ	Thread ISO228 G3/4, 316L, install > accessory weld-in adapter, 25 bar	✓	✓
GWJ	Thread ISO228 G1, 316L, install > accessory weld-in adapter, 25 bar	✓	✓

For feature 020 "Inactive length L3": only option A			
For feature 040 "Insulation": only option 1			
A	B	EHEDG	3-A¹⁾
TJJ	Tri-Clamp ISO2852 DN38 (1 1/2"), 316L	✓	✓
MRJ	DIN11851 DN50 PN40 slotted-nut, 316L	-	✓
TCJ	Tri-Clamp ISO 2852 DN25 (1"), 316L	✓	✓
16mm rod; PTFE, feature 030 "Active length L1; insulation": only options B, K			
TNK	Tri-Clamp ISO2852 DN38 (1-1/2"), PTFE>316L	-	✓
16mm rod; PFA, feature 030 "Active length L1; insulation": only options D, N			
TDK	Tri-Clamp ISO2852 DN40-51 (2"), PTFE>316L	-	✓
TJK	Tri-Clamp ISO2852 DN38 (1-1/2"), PTFE>316L	-	✓
TNJ	Tri-Clamp ISO2852 DN38 (1 1/2"), 316L, clamp, detachable	-	✓
TAK	Tri-Clamp ISO2852 DN40-51 (2"), PTFE>316	✓ ²⁾	-
TNK	Tri-Clamp ISO2852 DN38 (1-1/2"), PTFE>316L	✓ ²⁾	-

- 1) Feature 010 "Approval": except options V, W, X
 2) Only in conjunction with feature 010 "Approval", only options A, B, N, U

For feature 020 "Inactive length L3": only option C			
For feature 040 "Insulation": only option 1			
A	B	EHEDG	3-A¹⁾
14mm rod, feature 030 "Active length L1; insulation": only options 1, T			
GWJ	Thread ISO228 G1, 316L, install > accessory weld-in adapter, 25 bar	✓	✓
TJJ	Tri-Clamp ISO2852 DN38 (1 1/2"), 316L	✓	✓
TDJ	Tri-Clamp ISO2852 DN40-51 (2")	✓	-
MRJ	DIN11851 DN50 PN40 slotted-nut, 316L	✓	✓
UPJ	Universal adapter 44mm 316L, 16bar	✓	✓
TDK	Tri-Clamp ISO2852 DN40-51 (2"), PTFE>316L	-	✓
TJK	Tri-Clamp ISO2852 DN38 (1-1/2"), PTFE>316L	-	✓
TCJ	Tri-Clamp ISO 2852 DN25 (1"), 316L	-	✓
TAK	Tri-Clamp ISO2852 DN40-51 (2"), PTFE>316	✓ ²⁾	-
TNK	Tri-Clamp ISO2852 DN38 (1-1/2"), PTFE>316L	✓ ²⁾	-

- 1) Feature 010 "Approval": except options V, W, X
 2) Only in conjunction with feature 010 "Approval", only options A, B, N, U

Liquicap FTI52, feature 050 "Process connection"

For feature 020 "Inactive length L3": only option A For feature 040 "Insulation": only option 1			
A	B	EHEDG	3-A ¹⁾
10mm rod; feature 030 "Active length L1; insulation": only options A, H			
TCJ	Tri-Clamp ISO 2852 DN25 (1"), 316L	✓	✓
16mm rod; PFA, feature 030 "Active length L1; insulation": only options D, N			
TJJ	Tri-Clamp ISO2852 DN38 (1-1/2"), 316L	✓	-

1) Feature 010 "Approval": except options V, W, X

Micropilot FMR52, feature 100 "Process connection"

A	B	EHEDG	3-A
TDK	Tri-Clamp ISO2852 DN51 (2"), PTFE>316L	-	✓
TFK	Tri-Clamp ISO2852 DN70-76.1 (3"), PTFE>316L	-	✓
THK	Tri-Clamp ISO2852 DN101.6 (4"), PTFE>316L	-	✓
TEK	Tri-Clamp ISO2852 DN51 (2"), PTFE>316L	✓	-
TGK	Tri-Clamp ISO2852 DN70-76.1 (3"), PTFE>316L	✓	-
TIK	Tri-Clamp ISO2852 DN101.6 (4"), PTFE>316L	✓	-

Micropilot FMR62, feature 100 "Process connection"

A	B	EHEDG	3-A
MRK	DIN11851 DN50 PN25 slotted-nut, PTFE>316L	-	✓
MTK	DIN11851 DN80 PN25 slotted-nut, PTFE>316L	-	✓
TDK	Tri-Clamp ISO2852 DN51 (2"), PTFE>316L	✓	✓
TFK	Tri-Clamp ISO2852 DN70-76.1 (3"), PTFE>316L	✓	✓
THK	Tri-Clamp ISO2852 DN101.6 (4"), PTFE>316L	✓	✓
U2J	Thread M24, 316L	✓	✓

Liquiphant FTL33, feature 110 "Process connection"

A	B	EHEDG	3-A
WSJ	Thread ISO228 G1, 316L, install > accessory weld-in adapter	✓	✓
W5J	Thread ISO228 G3/4, 316L, install > accessory weld-in adapter	✓	✓
X2J	Thread M24, 316L install > accessory adapter	✓	✓
1GJ	DIN11851 DN25 PN40 w/o slotted-nut, 316L	✓	✓

A	B	EHEDG	3-A
1HJ	DIN11851 DN32 PN40 w/o slotted-nut, 316L	✓	✓
1JJ	DIN11851 DN40 PN40 w/o slotted-nut, 316L	✓	✓
3CJ	Tri-Clamp ISO2852 DN25-38 (1...1-1/2"), DIN32676 DN25-40	✓	✓
3EJ	Tri-Clamp ISO2852 DN40-51 (2"), 316L, DIN32676 DN50	✓	✓
5ZJ	Flush mount, 316L, w/o slotted-nut, install > accessory weld-in adapter	✓	✓

Liquiphant FTL50H, FTL51H, feature 020 "Process connection"

A	B	EHEDG	3-A
EE2	Flush mount, 316L, install > accessory weld-in adapter	✓	✓
GQ2	Thread ISO228 G3/4, 316L, install > accessory weld-in adapter	✓	✓
GW2	Thread ISO228 G1, 316L, install > accessory weld-in adapter	✓	✓
HE2	DIN11864-1 A DN50 pipe DIN11850, slotted-nut, 316L	✓	✓
MA2	DIN11851 DN32 PN25 slotted-nut, 316L	✓	✓
MC2	DIN11851 DN40 PN25 slotted-nut, 316L	✓	✓
ME2	DIN11851 DN50 PN25 slotted-nut, 316L	✓	✓
TC2	Tri-Clamp ISO2852 DN25-38 (1...1-1/2"), 316L	✓	✓
TD2	Tri-Clamp > NA Connect ISO2852, DN25-38(1...1-1/2"), 316L	-	✓
TE2	Tri-Clamp ISO2852 DN40-51 (2"), 316L	✓	✓
TF2	Tri-Clamp > NA Connect ISO2852 DN40-51, (2"), 316L	-	✓
UE2	SMS 2" PN25, 316L	-	✓
WE2	Varivent N pipe DN65-162 PN25, 316L	✓	✓

Liquipoint FTW23, feature 110 "Process connection"

A	B	EHEDG	3-A
WSJ	Thread ISO228 G1, 316L, install > accessory weld-in adapter	✓	✓
W5J	Thread ISO228 G3/4, 316L, install > accessory weld-in adapter	✓	✓
X2J	Thread M24, 316L install > accessory adapter	✓	✓

Liquipoint FTW33, feature 110 "Process connection"

A	B	EHEDG	3-A
WSJ	Thread ISO228 G1, 316L, install > accessory weld-in adapter	✓	✓
W5J	Thread ISO228 G3/4, 316L, install > accessory weld-in adapter	✓	✓
X2J	Thread M24, 316L install > accessory adapter	✓	✓

A	B	EHEDG	3-A
1AJ	DIN11851 DN25 PN40 w/o slotted-nut, 316L	✓	✓
1CJ	DIN11851 DN40 PN40 w/o slotted-nut, 316L	✓	✓
3CJ	Tri-Clamp ISO2852 DN25-38 (1 to 1-1/2"), 316L, DIN32676 DN25-40	✓	✓
3EJ	Tri-Clamp ISO2852 DN40-51 (2"), 316L, DIN32676 DN50	✓	✓

Liquitrend QMW43, feature 110 "Process connection"

A	B	EHEDG	3-A
WSJ	Thread ISO228 G1, 316L, install > accessory weld-in adapter	✓	✓
W5J	Thread ISO228 G3/4, 316L, install > accessory weld-in adapter	✓	✓
X2J	Thread M24, 316L install > accessory adapter	✓	✓
1AJ	DIN11851 DN25 PN40 w/o slotted-nut, 316L	✓	✓
1CJ	DIN11851 DN40 PN40 w/o slotted-nut, 316L	✓	✓
3CJ	Tri-Clamp ISO2852 DN25-38 (1..1-1/2"), DIN32676 DN25-40	✓	✓
3EJ	Tri-Clamp ISO2852 DN40-51 (2"), 316L, DIN32676 DN50	✓	✓

Nivector FTI26, feature 110 "Process connection"

A	B	EHEDG	3-A
WDJ	Thread ISO228 G1, 316L	✓	✓



EHEDG certified

The combination of devices and process connections has been evaluated in the EHEDG certification process and confirmed in the Equipment Evaluation Report.



71548531

www.addresses.endress.com
