

# Technical Information

## OUA260

Flow assembly for sensors OUSAFxx and OUSTF10



### Application

The flow assembly OUA260 can be combined with a wide array of optical sensors. Depending on the sensor used, the flow assembly can be deployed in the following applications:

- Chromatography monitoring
- Filtration monitoring
- Color measurement
- Centrifuge control
- Measurement of protein concentrations
- Turbidity measurement

### Your benefits

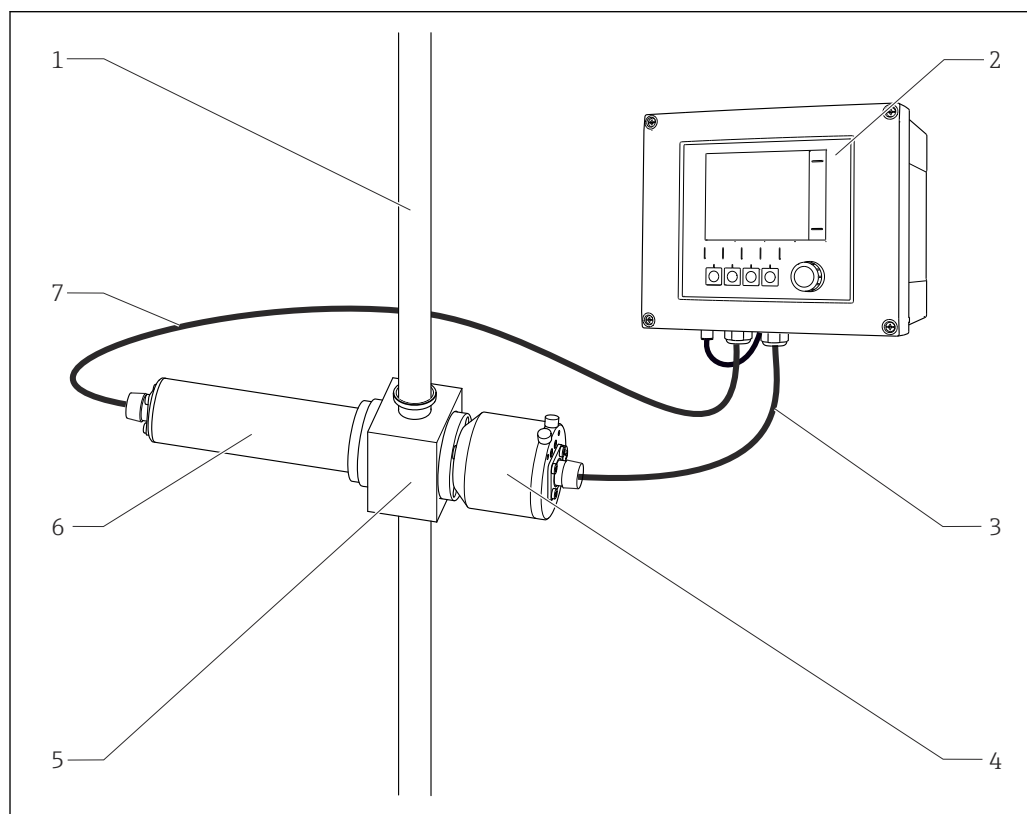
- Fast measured values ensure maximum product yield
- Low sample volume reduces product loss
- Flexible use owing to wide range of nominal diameters and process connections, such as Tri-Clamp, flanges, threads etc.
- Hygienic and rugged versions thanks to variety of materials for assembly, seals and windows
- Complies with the requirements of the Life Sciences industry:  
Certified biocompatibility in relation to biological reactivity in accordance with USP <87> and USP <88> Cl. VI, FDA-listed seals and hygienic, electropolished surfaces (Ra = 0.38 µm (15 µinch))

## Function and system design

### Measuring system

A complete measuring system comprises:

- Liquiline CM44P transmitter
- Photometer sensor, e.g. OUSAF44
- Flow assembly OUA260
- Cable set CUK80



A0031510

1 Measuring system with OUA260

- 1 Pipe
- 2 Transmitter CM44P
- 3 Cable set CUK80
- 4 Sensor: detector
- 5 Flow assembly OUA260
- 6 Sensor: light source (lamp)
- 7 Cable set CUK80

### Options

#### Precision optical path length (POPL) adjustment system for OUA260

This option for the flow assembly guarantees the precise setting of the distance between the windows. The path length adjustment system consists of adjustable window rings and a certified measuring gage that determines the precise distance between the windows. This option allows the operator to set the optical path length down to a minimum of length of 0.5 mm.

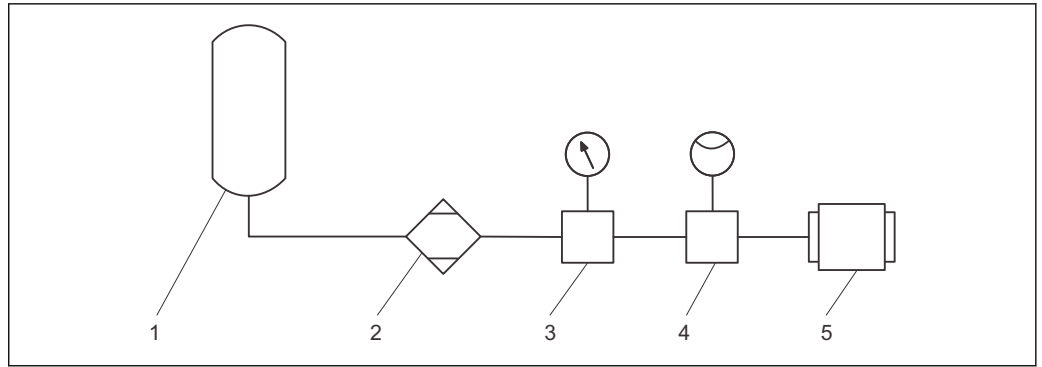
The advantages:

- Increased measuring range
- Better measured value reproducibility
- Consistent readings across different devices
- Direct concurrence with laboratory results

Combined with Easycal, it enables calibration traceable to NIST and eliminates the need for time-consuming calibration with liquid standards.

#### Air purge

The optical windows can be purged with dry air or nitrogen through pneumatic ports, preventing the formation of condensate on the optical windows.



A0025475

2 Example of purge air supply

- 1 Compressed air or nitrogen supply
- 2 Air drier (not required for nitrogen)
- 3 Pressure regulator
- 4 Flow controller
- 5 Assembly OUA260

The purge gas must be clean and dry (ultra zero air).

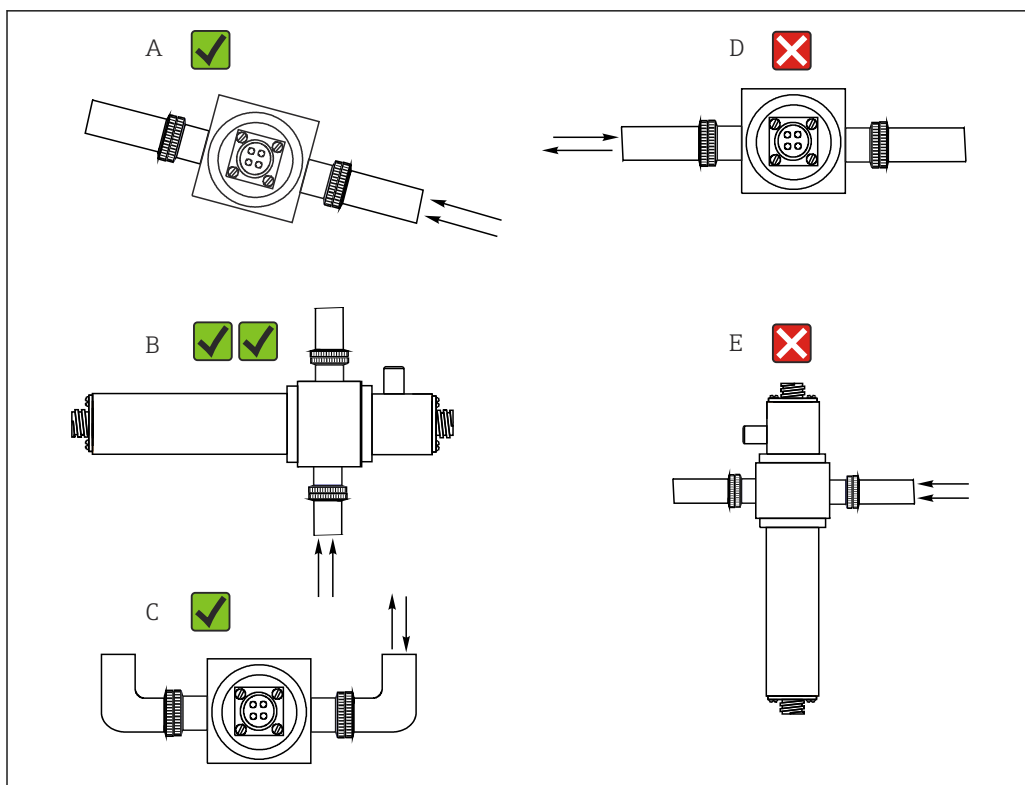
Maximum pressure:	0.07 bar (1 psi)
Flow rate:	50 to 100 ml/min

## Installation

### Installation instructions

The assembly is available with a range of process connections. It can be installed either directly in a process line or in a bypass line.

- ▶ Make sure that the optical windows of the assembly are fully immersed in the medium.
- ▶ Avoid installation positions in which air bubbles can form.
- ▶ Install the flow assembly upstream from the pressure regulators.



A0028250

3 Mounting angles. The arrows indicate the direction of medium flow in the pipe.

- A Suitable installation position, better than C
- B Ideal, best installation position
- C Acceptable installation position
- D Installation position to be avoided
- E Unacceptable installation position

## Process

### Process temperature and pressure range

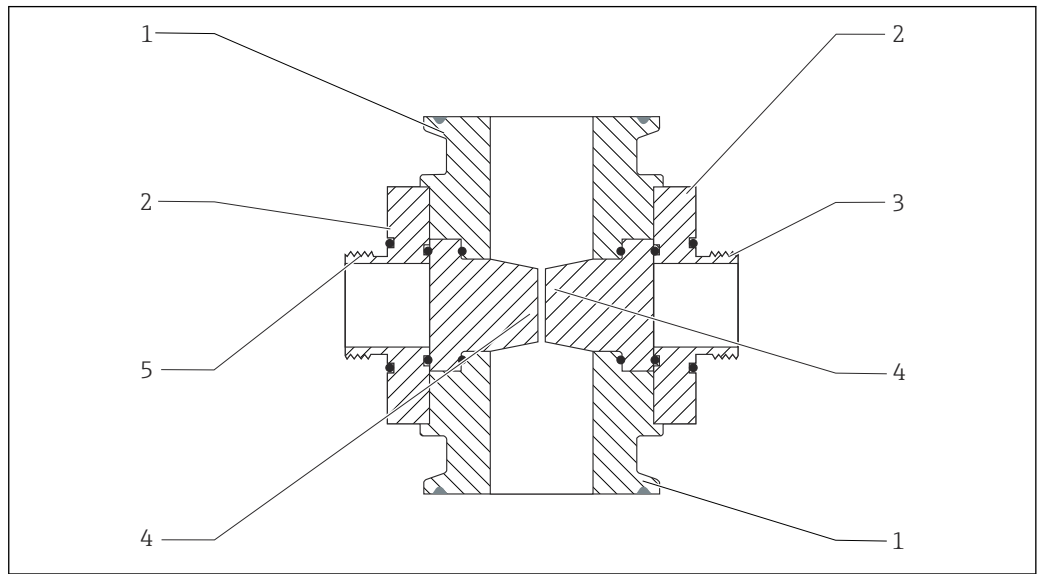
The process temperature range and pressure range depend on the process connection, material and pipe size.

Process connection	Pipe size	Nominal pressure	Temperature
Tri-Clamp 1.4435/316L	0.25 to 2"	16 bar (230 psi)	0 to 130 °C (32 to 266 °F)
Tri-Clamp 1.4435/316L	2.5 to 4"	10 bar (150 psi)	0 to 130 °C (32 to 266 °F)
Tri-Clamp PVDF	0.25", 0.5", 0.75"	4 bar (58 psi)	0 to 130 °C (32 to 266 °F)
Flange ASME RF Class 150, 316SS	All	10 bar (150 psi)	0 to 130 °C (32 to 266 °F)
Flange ASME RF Class 300, 316SS	All	20 bar (300 psi)	0 to 130 °C (32 to 266 °F)
Flange RF EN 1092-1 PN16	DN 25	10 bar (150 psi)	0 to 130 °C (32 to 266 °F)
Flange RF EN 1092-1 PN16	DN 50	20 bar (300 psi)	0 to 130 °C (32 to 266 °F)
NPT 316SS	All	20 bar (300 psi)	0 to 130 °C (32 to 266 °F)
NPT PVDF, plastic fittings	All	4 bar (58 psi)	0 to 130 °C (32 to 266 °F)
NPT PVDF, metal fittings	All	2 bar (29 psi)	0 to 35 °C (32 to 95 °F)

- Comply with the maximum permitted process temperature of the sensor!

## Mechanical construction

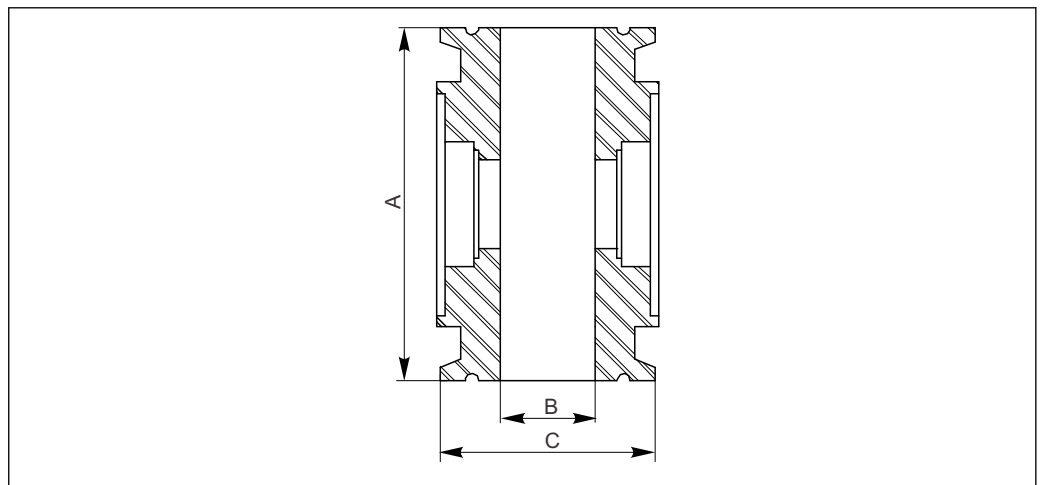
### Design



4 Cross-sectional view

- 1 Process connection
- 2 Window ring
- 3 Threaded connection for sensor (detector)
- 4 Optical windows
- 5 Threaded connection for sensor (lamp)

### Dimensions



5 Dimensions of flow assembly OUA260

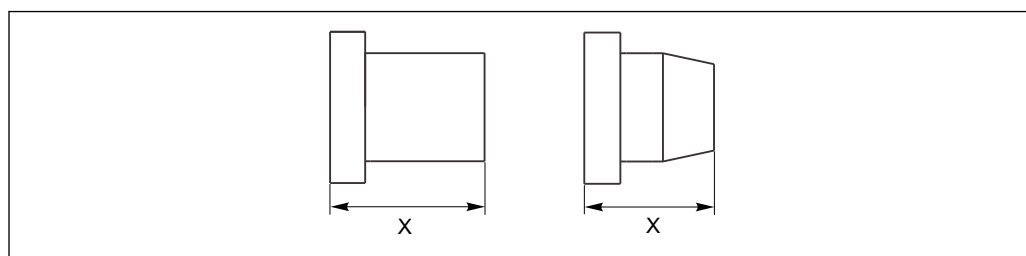
- A Flange spacing
- B Internal diameter
- C Flange diameter

Process connection	Pipe size	A	B	C
Tri-Clamp	1/4"	82.5 mm (3.25")	4.6mm (0.18")	25 mm (0.98")
Clamp ASME	1/4"	82.5 mm (3.25")	4.6mm (0.18")	25 mm (0.98")
Tri-Clamp	1/2"	82.5 mm (3.25")	9.4 mm (0.37")	25 mm (0.98")
Clamp ASME	1/2"	82.5 mm (3.25")	9.4 mm (0.37")	25 mm (0.98")
Tri-Clamp	3/4"	82.5 mm (3.25")	15.2 mm (0.60")	25 mm (0.98")
Clamp ASME	3/4"	82.5 mm (3.25")	15.7 mm (0.62")	25 mm (0.98")

Process connection	Pipe size	A	B	C
Tri-Clamp	1"	82.5 mm (3.25")	22.1 mm (0.87")	50.3 mm (1.98")
Clamp ASME	1"	82.5 mm (3.25")	22.1 mm (0.87")	50.3 mm (1.98")
Tri-Clamp	1½"	82.5 mm (3.25")	36.1 mm (1.42")	50.3 mm (1.98")
Clamp ASME	1½"	82.5 mm (3.25")	34.8 mm (1.37")	50.3 mm (1.98")
Tri-Clamp	2"	82.5 mm (3.25")	47.2 mm (1.86")	64 mm (2.52")
Clamp ASME	2"	82.5 mm (3.25")	47.5 mm (1.87")	64 mm (2.52")
Tri-Clamp	2½"	88.9 mm (3.50")	59.9 mm (2.36")	77.5 mm (3.05")
Tri-Clamp	3"	114.3 mm (4.50")	72.6 mm (2.86")	90.9 mm (3.58")
Tri-Clamp	4"	124.0 mm (4.88")	96.8 mm (3.81")	118.9 mm (4.68")
RFF150	1"	174.7 mm (6.88")	25.4 mm (1.00")	107.9 mm (4.25")
RFF150	2"	190.5 mm (7.50")	47.5 mm (1.87")	152.4 mm (6.00")
RFF150	3"	203.2 mm (8.00")	69.8 mm (2.75")	190.5 mm (7.50")
RFF150	4"	228.6 mm (9.00")	95.2 mm (3.75")	228.6 mm (9.00")
RFF300	1"	174.7 mm (6.88")	25.4 mm (1.00")	124.0 mm (4.88")
RFF300	2"	190.5 mm (7.50")	47.5 mm (1.87")	165.1 mm (6.50")
RFF300	3"	203.2 mm (8.00")	69.8 mm (2.75")	209.6 mm (8.25")
RFF300	4"	228.6 mm (9.00")	95.2 mm (3.75")	254.0 mm (10.00")
Flange RF EN 1092-1 PN16	DN 25	174.7 mm (6.88")	26 mm (1.02")	115 mm (4.53")
Flange RF EN 1092-1 PN16	DN 50	190.5 mm (8.00")	50 mm (1.97")	165 mm (6.50")
NPT-SS	½"	148.6 mm (5.85")	½" Standard NPT	N/A
NPT-SS	1"	101.6 mm (4.00")	1" Standard NPT	N/A
NPT-SS	2"	101.6 mm (4.00")	2" Standard NPT	N/A
NPT-PVDF	½"	71.1 mm (2.80")	½" Standard NPT	N/A
NPT-PVDF	1"	101.6 mm (4.00")	1" Standard NPT	N/A

**Window types and path lengths**

For both window types, the length is measured over the entire length.



A0024807

6 Length measurement of both window types

**Example:**

To obtain a path length of 10 mm with the Tri-Clamp 2.5" process connection, take one window with a length of 34 mm and one with a length of 36.8 mm.

Window types and path lengths for the various pipe sizes with the Tri-Clamp process connection

Path length	0.25" 0.50" 0.75"	1.0 " LV 1.5" LV	2.0"	2.5"	3.0"	4.0"
0.5 mm POPL	19 + 18.5	24 + 23.5	33.5 + 34			
1 mm	18 + 19	23 + 24	33.5 + 33.5			


Path length	0.25" 0.50" 0.75"	1.0" LV 1.5" LV	2.0"	2.5"	3.0"	4.0"
1 mm POPL	18 + 19	23 + 24	33.5 + 33.5			
2 mm	18 + 18	23 + 23				
2 mm POPL	18 + 18	23 + 23				
5 mm	16.5 + 16.5	21.5 + 21.5	31.5 + 31.5			
5 mm POPL	16.5 + 16.5	21.5 + 21.5	31.5 + 31.5			
10 mm	14 + 14	19 + 19	29 + 29	34 + 36.8		
20 mm	9 + 9	14 + 14	24 + 24	29 + 31.5	34 + 34	
30 mm		9 + 9	19 + 19	21.5 + 29	29 + 29	
40 mm			14 + 14	19 + 21.5	24 + 24	36.8 + 36.8
50 mm			9 + 9	14 + 16.5	19 + 19	31.5 + 31.5
60 mm				9 + 9	14 + 14	24 + 29
70 mm					9 + 9	21.5 + 21.5
80 mm						16.5 + 16.5
90 mm						9 + 14

Dimensions of the window types given in mm (e.g. 19 mm + 18.5 mm)

Window types and path lengths for the various pipe sizes with NPT SS and RFF 150/300/EN 1092-1 process connections

Path length	NPT SS 0.5" / 1.0" / 2.0"	RFF 150/300 1.0" / 2.0"	RFF 150/300 3.0"	RFF 150/300 4.0"
0.5 mm POPL	33.5 + 34	33.5 + 34		
1 mm POPL	33.5 + 33.5	33.5 + 33.5		
2 mm				
2 mm POPL				
5 mm	31.5 + 31.5	31.5 + 31.5		
5 mm POPL	31.5 + 31.5	31.5 + 31.5		
10 mm	29 + 29	29 + 29		
20 mm	24 + 24	24 + 24	34 + 34	
30 mm	19 + 19	19 + 19	29 + 29	
40 mm	14 + 14	14 + 14	24 + 24	36.8 + 36.8
50 mm	9 + 9	9 + 9	14 + 24	31.5 + 31.5
60 mm			14 + 14	24 + 29
70 mm			9 + 9	21.5 + 21.5
80 mm				16.5 + 16.5
90 mm				9 + 14

Dimensions of the window types given in mm (e.g. 19 mm + 18.5 mm)

<b>Materials</b>	Flow assembly:	Stainless steel AISI 316L, 1.4435, PVDF, other materials available on request
	Window:	Borosilicate, quartz, sapphire
	O-rings:	VITON-FDA, silicone FDA, EPDM-FDA, KALREZ-FDA
	 PVDF is not suitable for all hazardous areas.	


<b>Weight</b>	¼" Tri-Clamp	stainless steel 316L/1.4435:	1.14 kg (2.51 lbs)
	1" Tri-Clamp	stainless steel 316L/1.4435:	1.39 kg (3.07 lbs)
	2" Tri-Clamp	stainless steel 316L/1.4435:	1.88 kg (4.15 lbs)
	4" Tri-Clamp	stainless steel 316L/1.4435:	3.38 kg (7.45 lbs)

## Ordering information

**Product page** [www.endress.com/oua260](http://www.endress.com/oua260)

**Product Configurator** On the product page there is a **Configure** button to the right of the product image.

1. Click this button.
  - ↳ The Configurator opens in a separate window.
2. Select all the options to configure the device in line with your requirements.
  - ↳ In this way, you receive a valid and complete order code for the device.
3. Export the order code as a PDF or Excel file. To do so, click the appropriate button on the right above the selection window.

 For many products you also have the option of downloading CAD or 2D drawings of the selected product version. Click the **CAD** tab for this and select the desired file type using picklists.

**Scope of delivery** The scope of delivery comprises:

- Assembly in the version ordered
- Operating Instructions
- Certificates of Life Science Package (optional)
  - Inspection certificate 3.1
  - Pharma CoC  
Certificate of conformity with pharmaceutical requirements, conformity with biological reactivity test USP Class VI, FDA material conformity, TSE-/BSE-free
  - Pressure test
  - Certificate for surface roughness

**Available standard versions** The standard versions are listed in the following tables.

*Process connections with nominal diameters available as standard:*

Process connection (OUA260- <b>*xx*****</b> )	Nominal diameter (OUA260- <b>***x*****</b> )												
	A 1/ 4"	B 3/ 8"	C 1/ 2"	D 3/ 4"	E 1" LV	F 1"	G 1 ½" LV	I 2"	J 2 ½"	K 3"	L 4"	O DN 25	P DN 50
A1 TRI-Clamp SS	✓		✓	✓	✓		✓	✓	✓	✓	✓		
A2 Tri-Clamp PVDF	✓		✓	✓									
A3 Clamp ASME 1.4435/316L	✓		✓	✓	✓		✓	✓					
B1 Flange ASME RF Class 150						✓		✓		✓	✓		
B2 Flange ASME RF Class 300						✓		✓		✓	✓		
B3 Flange RF DIN EN 1092-1 PN 16												✓	✓



Process connection (OUA260-*xx*****)		Nominal diameter (OUA260-***x*****)													
		A 1/ 4"	B 3/ 8"	C 1/ 2"	D 3/ 4"	E 1" LV	F 1"	G 1 1/2" LV	I 2"	J 2 1/2"	K 3"	L 4"	O DN 25	P DN 50	
D1	Female NPT SS			✓			✓		✓						
D2	Female NPT PVDF			✓			✓								

Path lengths with nominal diameters available as standard:

Path length (OUA260- ***xx*****)		Nominal diameter (OUA260-***x*****)															
		A 1/ 4"	B 3/ 8"	C 1/ 2" (1)	C 1/ 2" (2)	C 1/ 2" (3)	D 3/ 4"	D 3/ 4" (3)	E 1" LV	E 1" Std	G 1 1/2" LV	I 2"	J 2 1/2" "	K 3"	L 4"	O DN 25	P DN 50
01	0.5 mm /POPL	✓	✓	✓	✓		✓		✓		✓					✓	✓
03	1 mm/POPL	✓	✓	✓	✓	✓	✓	✓	✓	✓	✓	✓				✓	✓
04	2 mm	✓	✓	✓	✓		✓		✓		✓						
05	2 mm/POPL	✓	✓	✓	✓		✓		✓		✓						
06	5 mm	✓	✓	✓	✓	✓	✓	✓	✓	✓	✓	✓				✓	✓
07	5 mm/POPL	✓	✓	✓	✓	✓	✓	✓	✓	✓	✓	✓				✓	✓
08	10 mm	✓	✓	✓	✓	✓	✓	✓	✓	✓	✓	✓				✓	✓
09	20 mm	✓	✓	✓	✓	✓	✓	✓	✓	✓	✓	✓	✓			✓	✓
10	30 mm				✓	✓			✓	✓	✓	✓	✓	✓		✓	✓
11	40 mm					✓				✓		✓	✓	✓	✓	✓	✓
12	50 mm					✓				✓		✓	✓	✓	✓	✓	✓
13	60 mm											✓	✓	✓			
14	70 mm												✓	✓			
15	80 mm													✓			
16	90 mm													✓			

C 1/2" (1) = Tri-Clamp process connections (OUA260-\*xx\*\*\*\*\*; A1, A2, A3)

C 1/2" (2) = PVDF-NPT process connection (OUA260-\*xx\*\*\*\*\*; D2)

C 1/2" (3) and D 3/4" (3) = SS-NPT process connection (OUA260-\*xx\*\*\*\*\*; D1)

## Certificates and approvals

Current certificates and approvals for the product are available via the Product Configurator at [www.endress.com](http://www.endress.com).

1. Select the product using the filters and search field.
2. Open the product page.

The **Configuration** button opens the Product Configurator.

## Accessories

The following are the most important accessories available at the time this documentation was issued.

- ▶ For accessories not listed here, please contact your Service or Sales Center.

---

### Sensors

#### OUSAF44

- Optical sensor for measuring UV absorption
- Variety of materials and process connections available
- Hygienic design
- Product Configurator on the product page: [www.endress.com/ousaf44](http://www.endress.com/ousaf44)



Technical Information TI00416C

#### OUSAF12

- Optical sensor for the measurement of absorbance
- Variety of materials and process connections available
- Product Configurator on the product page: [www.endress.com/ousaf12](http://www.endress.com/ousaf12)



Technical Information TI00497C

#### OUSAF22

- Optical sensor for measuring color concentrations
- Variety of materials and process connections available
- Product Configurator on the product page: [www.endress.com/ousaf22](http://www.endress.com/ousaf22)



Technical Information TI00472C

#### OUSTF10

- Optical sensor for measuring turbidity and undissolved solids
- Variety of materials and process connections available
- Product Configurator on the product page: [www.endress.com/oustf10](http://www.endress.com/oustf10)



Technical Information TI00500C

#### OUSAF46

- Optical sensor for measuring UV absorption
- Two individually configurable measuring channels
- Product Configurator on the product page: [www.endress.com/ousaf46](http://www.endress.com/ousaf46)



Technical Information TI01190C

---



[www.addresses.endress.com](http://www.addresses.endress.com)

---