



Special Documentation

Clamping device FHG51

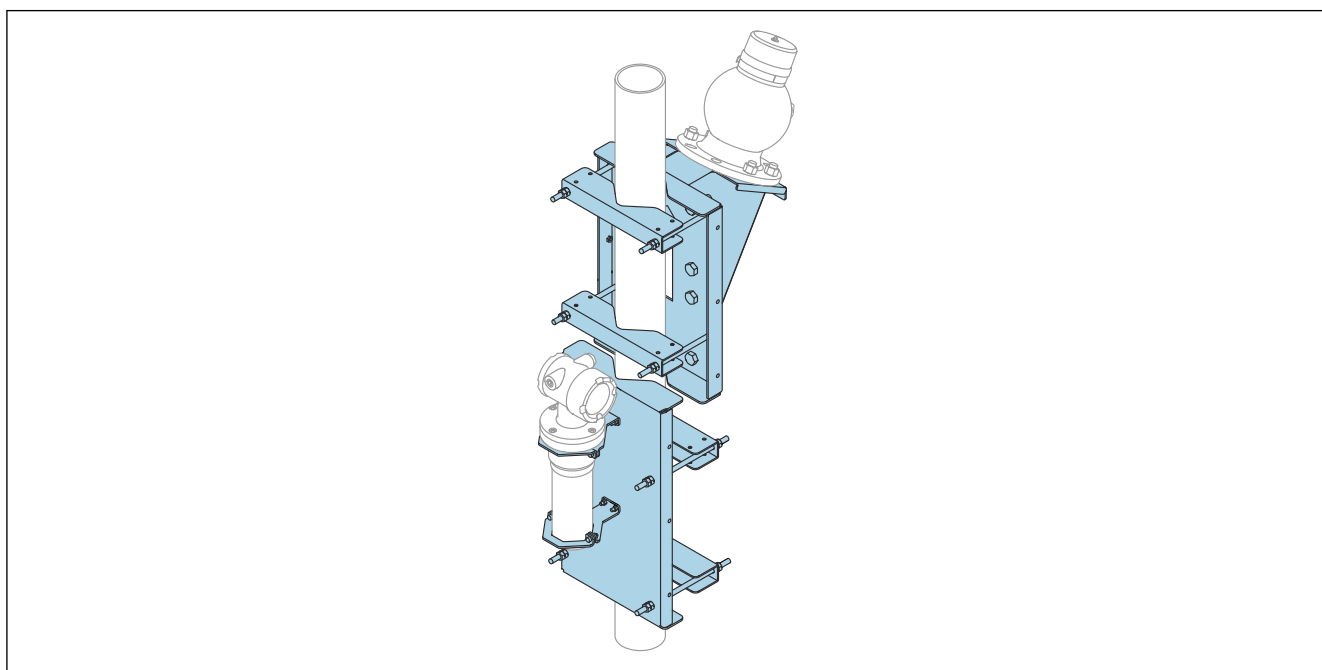
Density measurement for diagonally irradiated pipes

For pipes with an outer diameter of 50 to 220 mm (1.97 to 8.66 in)

Intended use

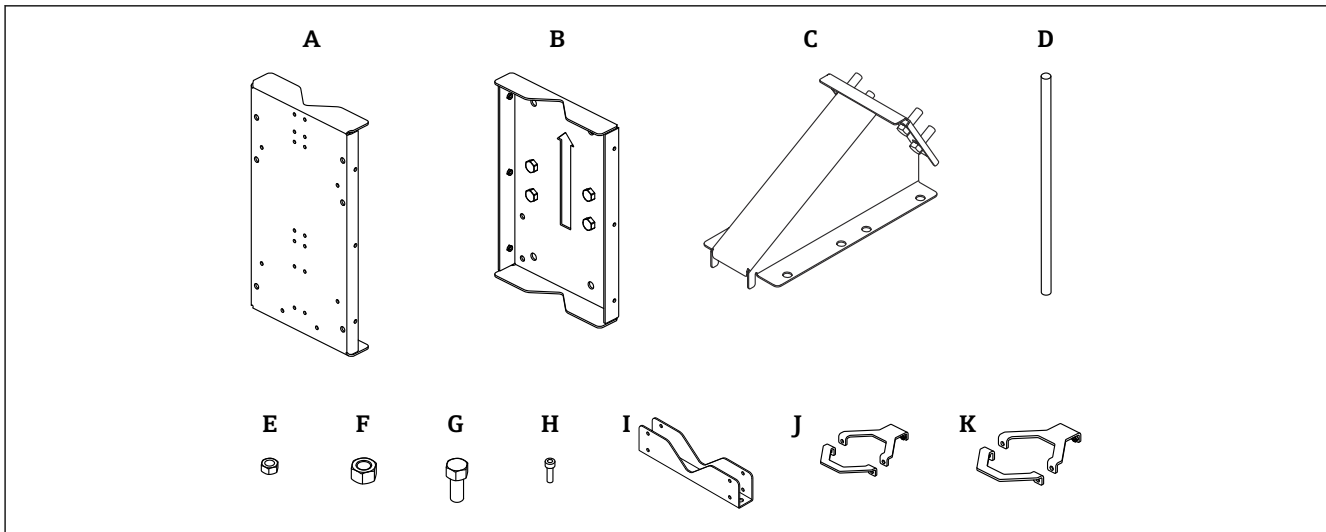
Clamping device to secure a radiometric measuring system on diagonally irradiated pipes with an outer diameter of 50 to 220 mm (1.97 to 8.66 in).

The radiometric measuring system comprises an FQG61 or FQG62 source housing and the Gammapiot FMG50 head transmitter.



A0044580

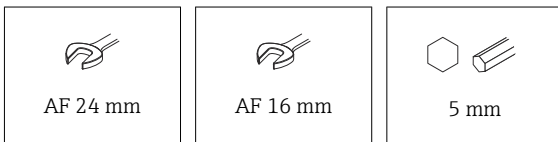
Overview of clamping device



A0043328

- A 1 × retaining plate FMG50, 316L (1.4404)
 B 1 × retaining plate FQG61, FQG62, 316L (1.4404)
 C 1 × emitter box, 316L (1.4404)
 D 8 × threaded rod DIN976-1 M10×400, A4
 E 32 × nut, ISO4032 M10, A4
 F 12 × nut ISO4032 M16, A4
 G 4 × screw ISO4017 M16×45, A4
 H 8 × screw ISO4762 M6×20, A4
 I 4 × clamp, 316L (1.4404)
 J 1 × pipe bracket Ø80 mm (3.15 in), 316L (1.4404)
 K 1 × pipe bracket Ø95 mm (3.74 in), 316L (1.4404)

Tools list



Safety instructions

⚠ CAUTION

Heavy components and devices

Risk of injury, damage to equipment

- ▶ Use hoists

⚠ CAUTION

Protruding threaded rods

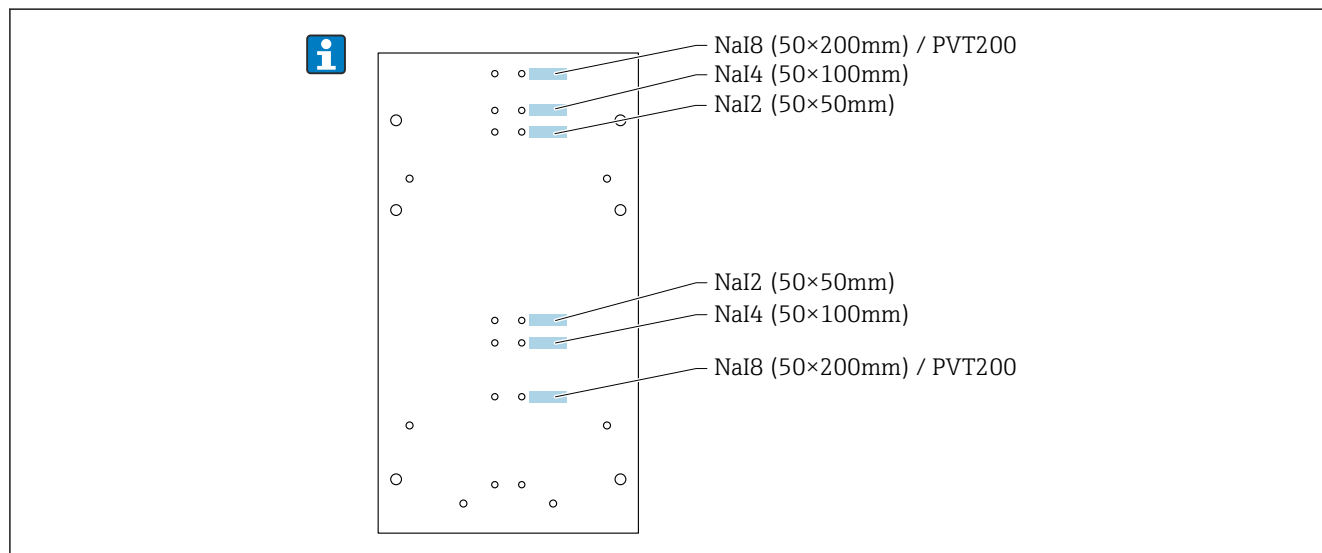
Risk of injury

- ▶ After installation, shorten any protruding threaded rods

Mounting

- i** ■ At least two people are required for the installation
- Mount the clamping device first and then mount the devices.
- Pay attention to the mounting position of the Gammapilot FMG50.
- In the case of the FQG61 and FQG62, ensure that the lifting eye bolt is aligned.

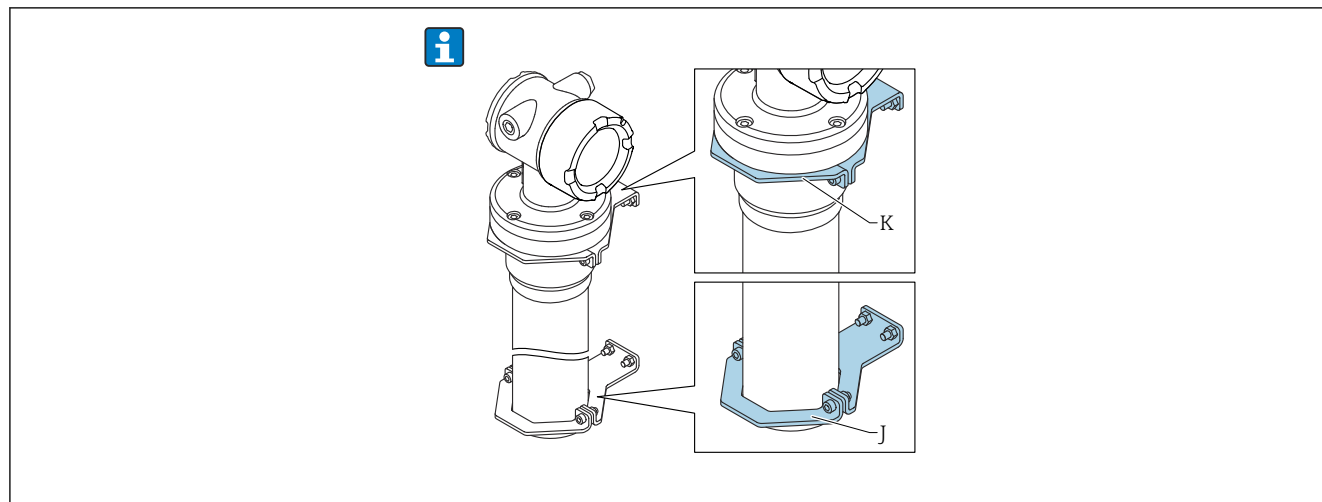
Mounting position of Gammapilot



A0045932

1 *Mounting position of Gammapilot*

Mounting position of pipe bracket



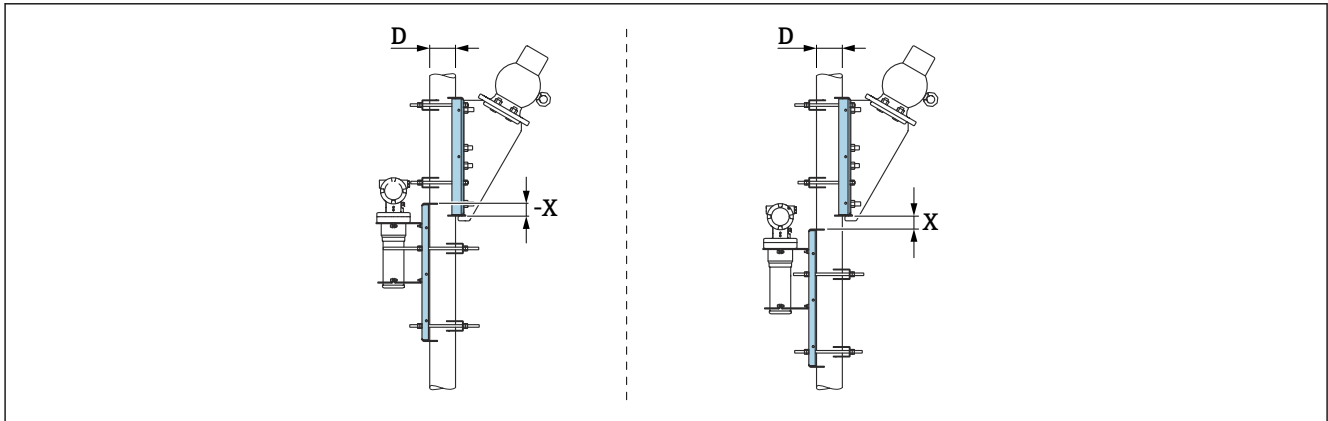
A0045877

2 *Mounting position of pipe bracket*

Mounting position of retaining plates

The distance between the retaining plates depends on the pipe diameter.

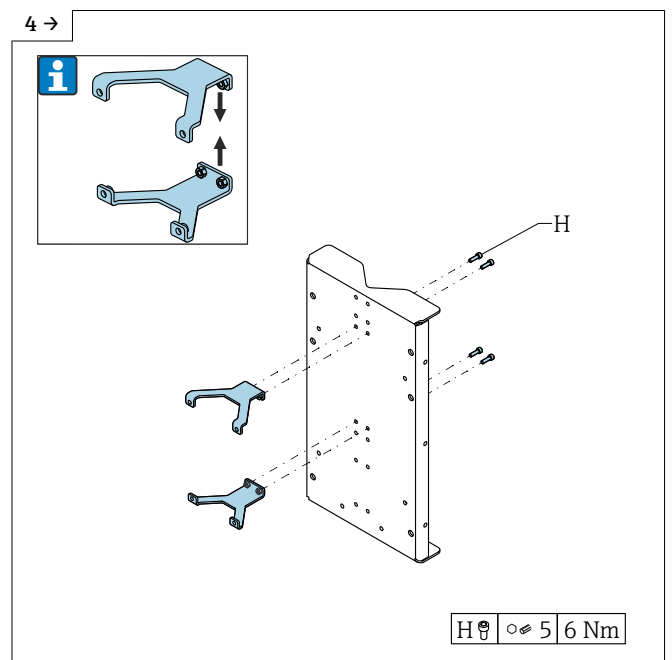
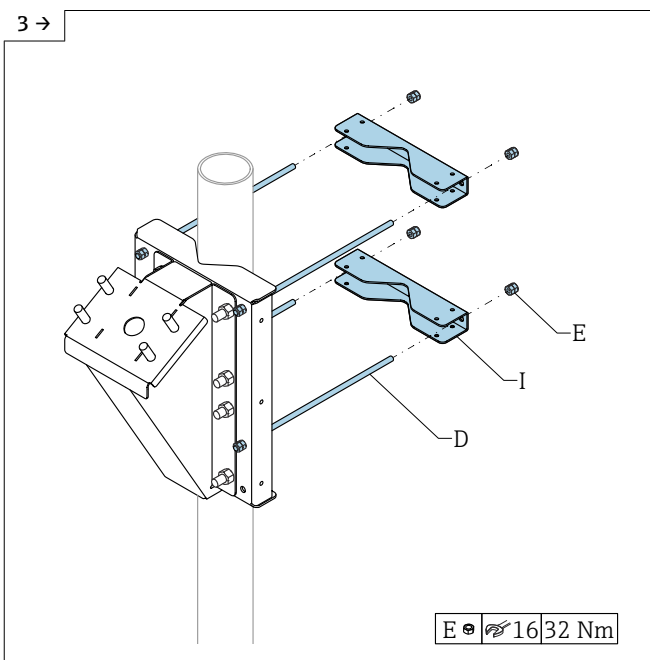
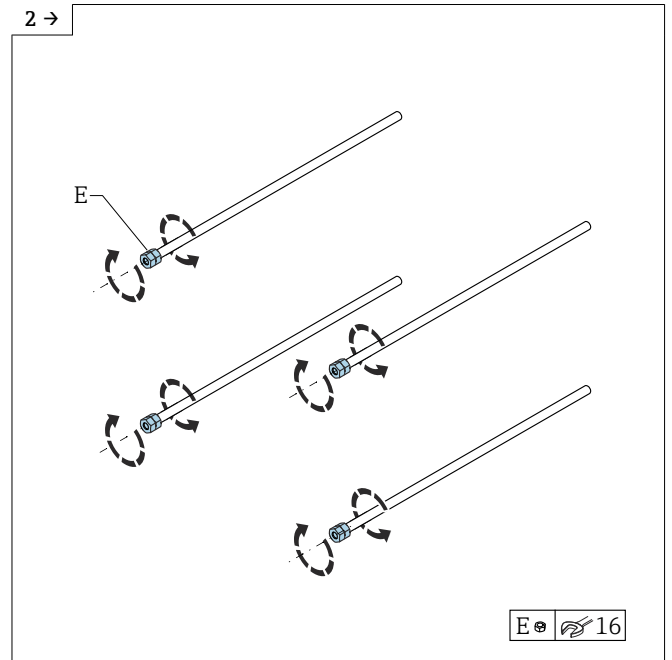
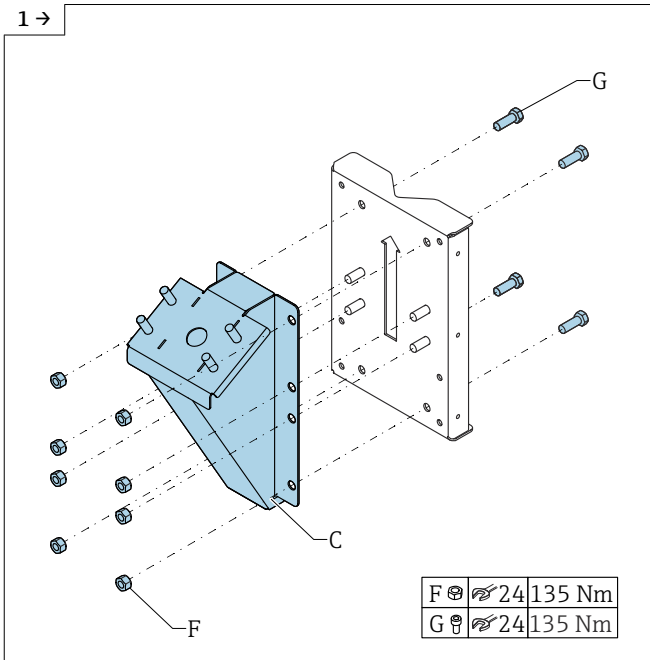
Determine the distance between the retaining plates before mounting.

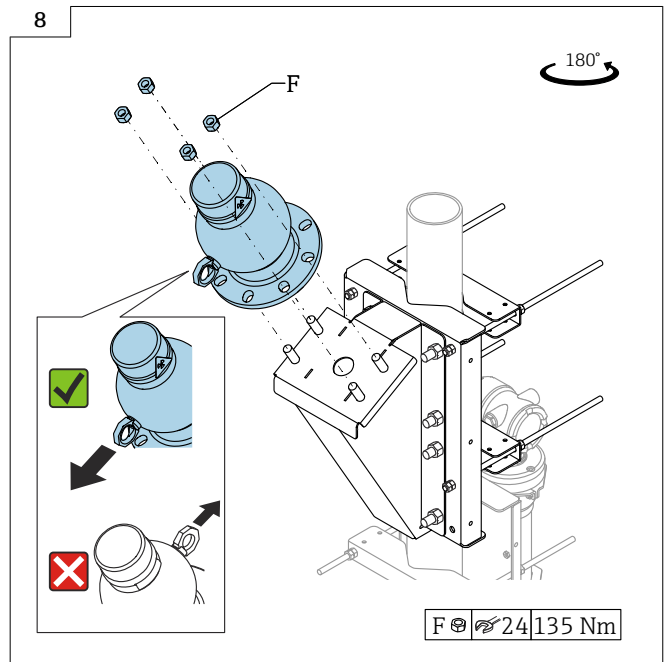
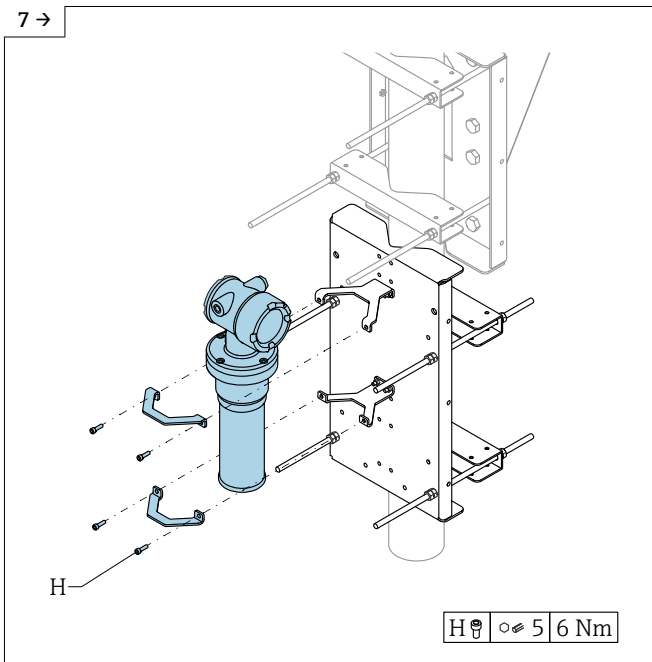
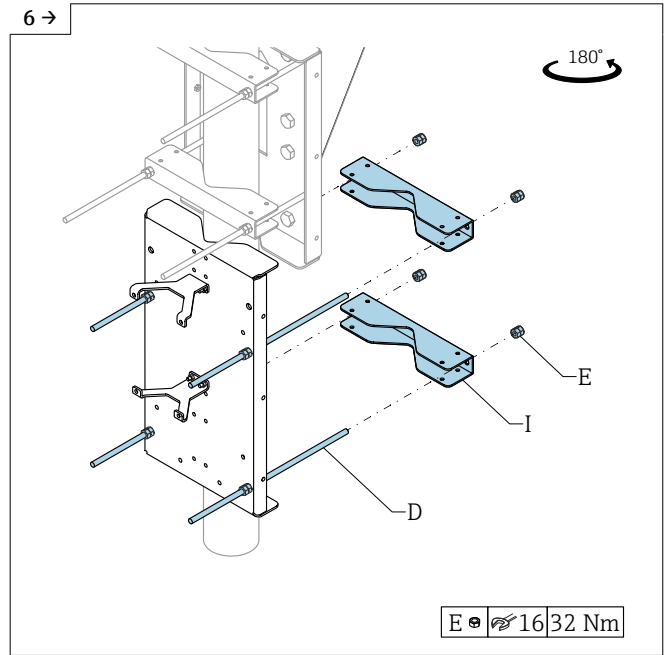
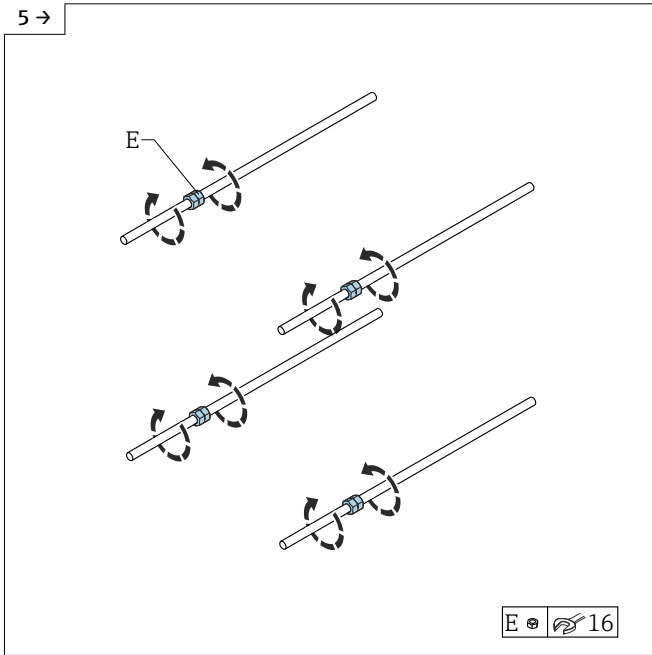


A0044119

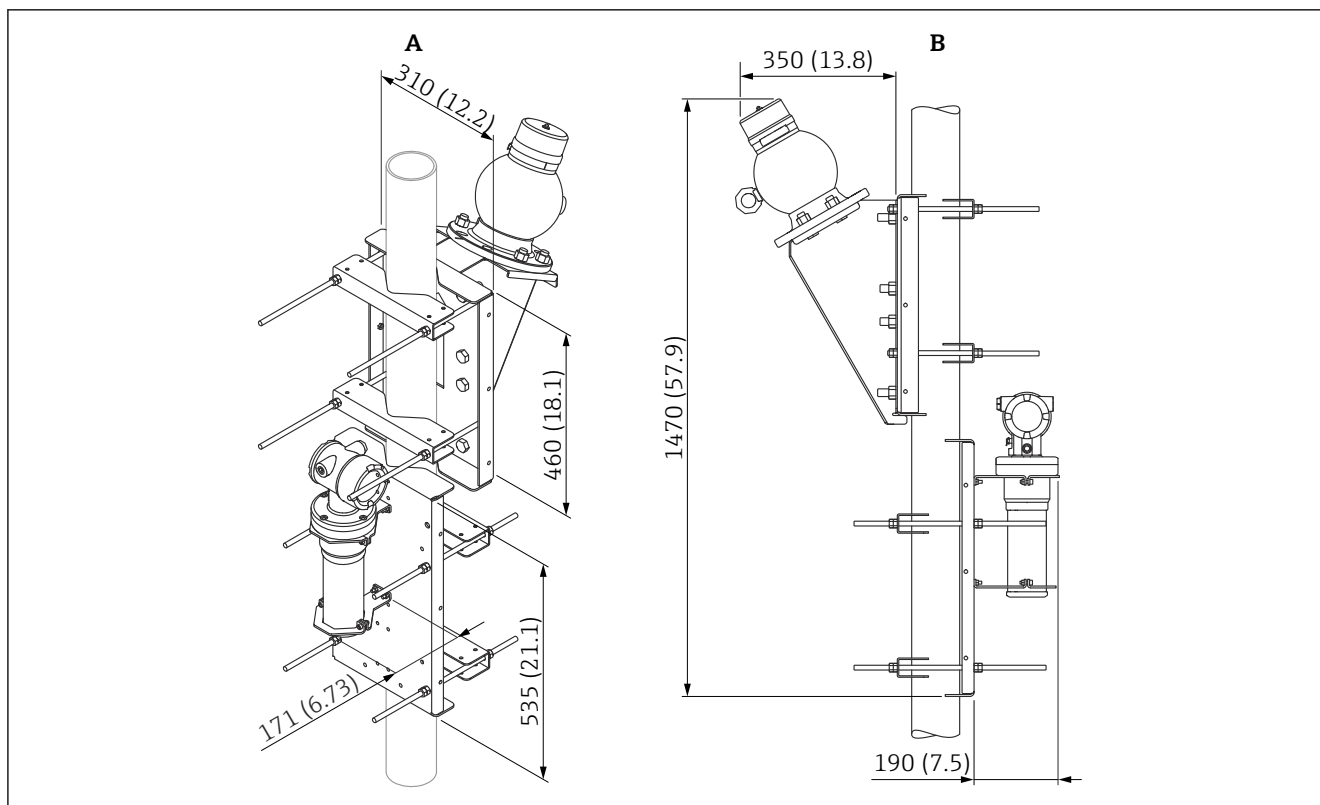
Nominal diameter of pipe		D	X
NPS	DN		
2"	50	60 (2.36)	-80 (-3.15)
2.5"	65	75 (2.95)	-40 (-1.57)
3"	80	89 (3.5)	-20 (-0.79)
3.5"	-	102 (4.02)	-10 (-0.39)
4"	100	115 (4.53)	50 (1.97)
5"	125	140 (5.51)	100 (3.94)
6"	150	168 (6.61)	160 (6.3)
8"	200	220 (8.66)	270 (10.6)

Installation steps





Dimensions and weight



A0044112

Unit of measurement mm (in)

A Product dimensions


B Maximum required installation space; less space may be required depending on the device selected

Weight: approx. 15 kg (excluding Gammapiilot FMG50 and source housing)

Supplementary documentation

The following supplementary documentation is available in the Downloads section of the Endress+Hauser website (www.endress.com/downloads):

Gammapiilot FMG50

 BA01966F

Source container FQG61, FQG62

 TI00435F
