

Installation Instructions


Adapter and washer for process isolating diaphragm, internal, Flush mount threaded adapter

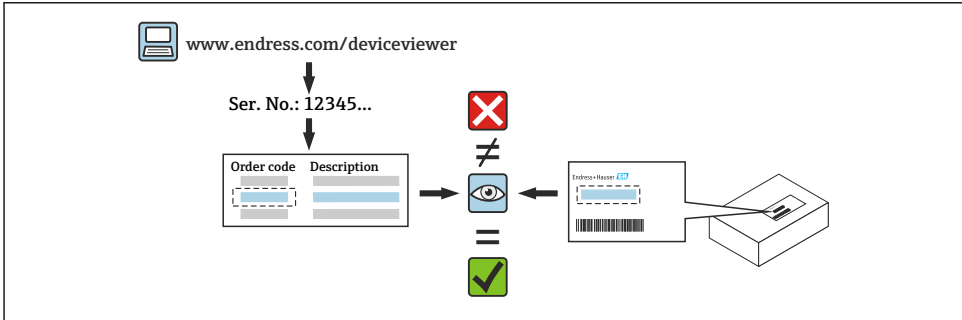
Cerabar PMC51B, PMC71B

Cerabar M PMC51, Cerabar S PMC71

1 Intended use

- A defective unit can only be replaced with a functioning unit of the same type.
- Only use original parts from Endress+Hauser.
- Check in the W@M Device Viewer if the spare part is suitable for the existing measuring device.


 A spare parts overview is located in the interior of some measuring devices. If the spare parts kit is specified on this list, no inspection is required.



2 Personnel authorized to carry out repairs

Technical staff must comply with the following requirements for repair, mounting, electrical installation and commissioning of the measuring devices:

- Specialized technical staff must be trained in instrument safety.
- They must be familiar with the individual operating conditions of the devices.
- In the case of Ex-certified measuring devices, they must also be trained in explosion protection.

 Technical staff carrying out work are responsible for ensuring that the work is carried out safely and to the required quality standard. They must also guarantee the safety of the device following repair.

3 Safety instructions

- Comply with national regulations governing mounting, electrical installation, commissioning, maintenance and repair procedures.
- The device is energized! Risk of fatal injury from electric shock. Open the device only when the device is de-energized.
- For devices intended for use in hazardous locations, please observe the guidelines in the Ex documentation (XA).

- In the case of devices in safety-related applications in accordance with IEC 61508 or IEC 61511: Commission in accordance with Operating Instructions after repair. Document the repair procedure.
- Before removing the device: set the process to a safe state and purge the pipe of dangerous process substances.
- Hot surfaces! Risk of injury! Before commencing work: allow the system and device to cool down to a touchable temperature.
- In the case of devices in custody transfer, the custody transfer status no longer applies once the seal has been removed.
- Follow the Operating Instructions for the device.
- Risk of damaging the electronic components! Ensure you have a working environment protected from electrostatic discharge.
- After removing the electronics compartment cover: risk of electrical shock due to missing touch protection!
Turn the device off before removing internal covers.
- Modifications to the device are not permitted.
- Only open the housing for a brief period. Avoid the penetration of foreign bodies, moisture or contaminants.
- Replace defective seals only with original seals from Endress+Hauser.
- If threads are damaged or defective, the device must be repaired.
- Do not lubricate threads (e.g. of electronics compartment cover or connection compartment cover).
- If spacing is reduced or the dielectric strength of the device is not guaranteed during repair work, perform a test on completion of the work (e.g. high-voltage test in accordance with the manufacturer's instructions).
- Service plug:
 - Do not connect in explosive atmospheres.
 - Only connect to Endress+Hauser service devices.
- Observe the instructions for transporting and returning the device outlined in the Operating Instructions.




In case of questions, please contact the local [Endress+Hauser service organization](#).

4 Symbols

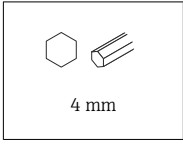
 Forbidden

Procedures, processes or actions that are forbidden.

 Do not reuse

Do not use a device component or the device a second time.

5 Tools list



6 Installation instructions

NOTICE

After the replacement of the washer and adapter, the technical properties are outside specifications. The device measures with reduced accuracy.

- ▶ Take the error factors into account
- ▶ Follow the instructions carefully

6.1 Error factors

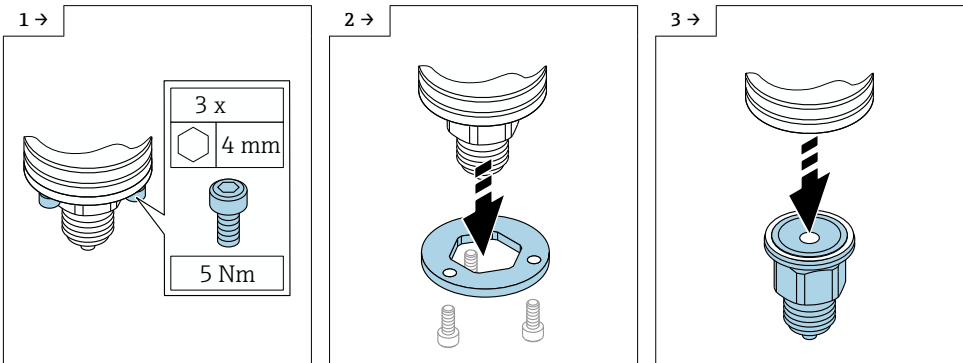
The error factor depends on the measuring range

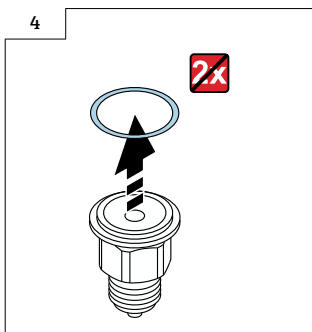
100 to 400 mbar: Error factor 3

1 to 40 bar: Error factor 2.5

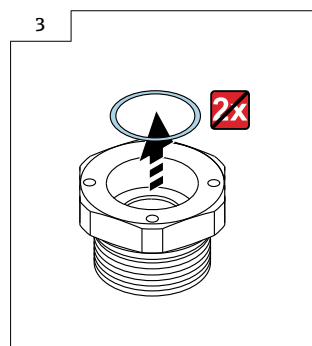
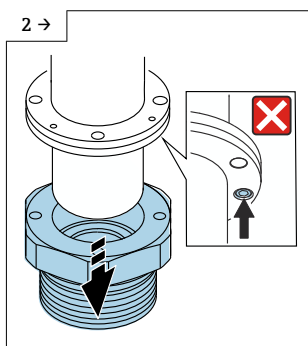
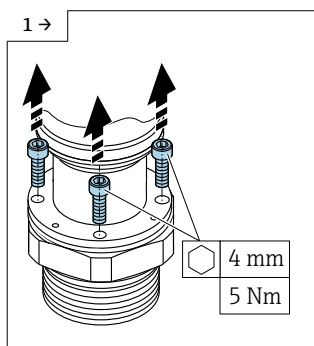
7 Disassembling the adapter and washer

7.1 Process isolating diaphragm, internal






7.2 Flush mount threaded adapter



8 Installing the adapter and washer

Installation is performed by following the removal procedure in reverse order.

Please note the following when installing:

-  Prior to installing, ensure that all sealing surfaces are clean. Sealing surfaces must not show any signs of mechanical damage.
- Clean the new process seal.
- In the case of oxygen applications, clean all of the process-wetted parts using special cleaning procedures.
- Zero point and span errors can be corrected by an adjustment; however, they change over time and depending on the temperature and require readjustment.



71491346

www.addresses.endress.com
