


Installation Instructions

Installing ground disks

Promag 10, 23, 50, 51, 53, 55, 100, 200, 300,
500, 800, 400 Index C

EN Installation Instructions: EA00070D →  3

DE Einbauanleitung: EA00070D →  21

Installation of ground disks

Promag, 10, 23, 50, 51, 53, 55, 100, 200, 300, 500, 800, 400 Index C

Table of contents

1	Overview of accessories	4
2	Authorized installation personnel	4
3	Safety Instructions	4
4	Symbols used	5
5	Tools list	6
6	Installation of ground disks	6
7	Disposal	20

1 Overview of accessories

The Installation Instructions apply to the following accessories:

Order number	Original accessory
DK5GD-****	1 × ground disk

2 Authorized installation personnel

Authorization to carry out installation depends on the measuring device's approval type. The table below shows the authorized group of people in each case.

 Whoever carries out the installation has full responsibility to ensure that work is carried out safely and to the required quality standard. He/she must also guarantee the safety of the device following installation.


Measuring device approval	Personnel authorized to carry out installation ¹⁾
No approval	1, 2, 3
With approval (e.g. IECEx)	1, 2, 3
For custody transfer	4

- 1) 1 = Qualified specialist on customer side, 2 = Service technician authorized by Endress+Hauser,
 3 = Endress+Hauser (return measuring device to manufacturer)
 4 = Check with local approval center if installation/alteration must be performed under supervision.

3 Safety Instructions



- Only use original parts from Endress+Hauser.
- Comply with national regulations governing mounting, electrical installation, commissioning, maintenance and repair procedures.
- The following requirements must be met with regard to specialized technical staff for the mounting, electrical installation, commissioning, maintenance and repair of the measuring devices:
 - Specialized technical staff must be trained in instrument safety.
 - They must be familiar with the individual operating conditions of the devices.
 - In the case of Ex-certified measuring devices, they must also be trained in explosion protection.
- The measuring device is energized! Risk of fatal injury from electric shock. Open the measuring device only when the device is deenergized.
- For measuring devices intended for use in hazardous locations, please observe the guidelines in the Ex documentation (XA).


- When using measuring devices in safety-related applications in accordance with IEC 61508 or IEC 61511: following installation, re-commission the device in accordance with the Operating Instructions. Document the installation.
- Before removing the device: set the process to a safe state and purge the pipe of dangerous process substances.
- Hot surfaces! Risk of injury! Before commencing work: allow the system and measuring device to cool down to a touchable temperature.
- In the case of devices in custody transfer, the custody transfer status no longer applies once the seal has been removed.
- The Operating Instructions for the device must be followed.
- Risk of damaging the electronic components! Ensure you have a working environment protected from electrostatic discharge.
- After removal of the electronics compartment cover: risk of electrical shock due to missing touch protection!
Turn instrument off before removing internal covers.
- Modifications to the measuring device are not permitted.
- Only open housing for a brief period. Avoid the penetration of foreign bodies, moisture or contaminants.
- Replace defective seals only with original seals from Endress+Hauser.
- If threads are damaged or defective, the measuring device must be repaired.
- Threads (e.g. of the electronics compartment cover and connection compartment cover) must be lubricated if an abrasion-proof dry lubricant is not available. Use acid-free, non-hardening lubricant.
- If, during installation, spacing is reduced or the dielectric strength of the measuring device cannot be guaranteed, perform a test on completion of the work (e.g. high-voltage test in accordance with the manufacturer's instructions).
- Service plug:
 - Do not connect in explosive atmospheres.
 - Only connect to Endress+Hauser service devices.
- Observe the instructions for transporting and returning the device outlined in the Operating Instructions.

 If you have any questions, please contact your [Endress+Hauser service organization](#).

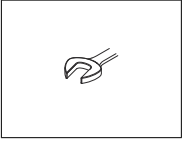
4 Symbols used

4.1 Symbols for certain types of information


Symbol	Meaning
	Permitted Procedures, processes or actions that are permitted.
	Forbidden Procedures, processes or actions that are forbidden.

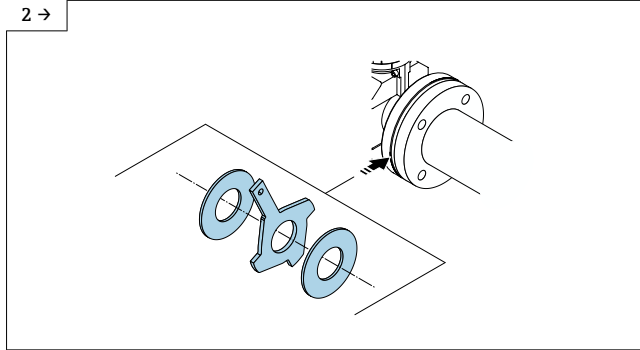
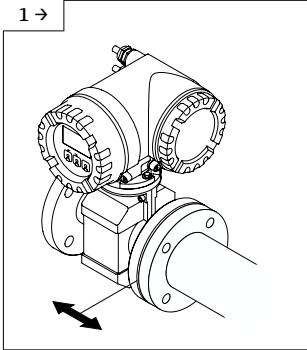
Symbol	Meaning
	Tip Indicates additional information.
1., 2., 3...	Series of steps

5 Tools list

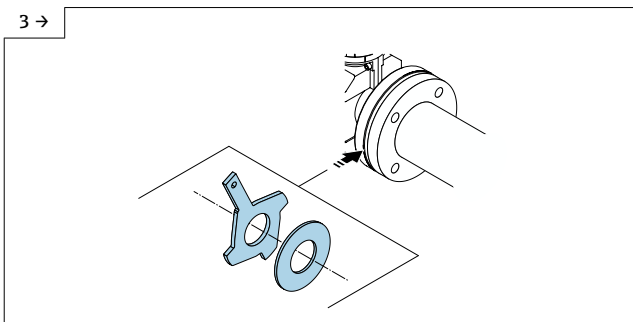


6 Installation of ground disks

 Pay attention to the dimensions! The use of ground disks (incl. seals) increases the installed length!

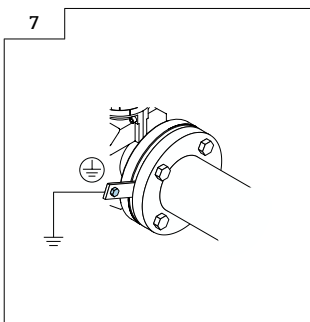
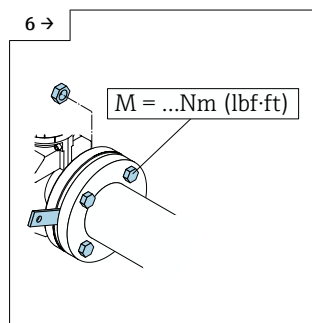
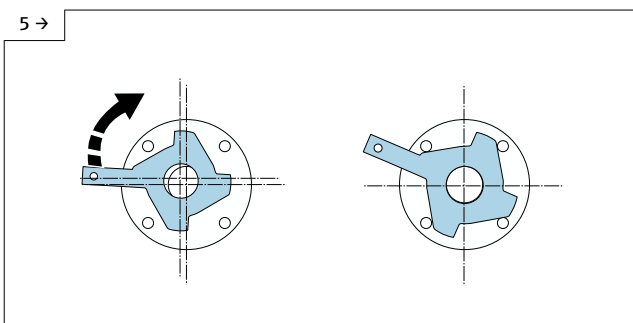
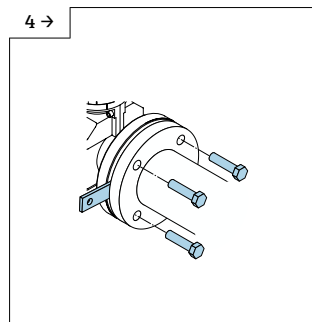



- ▶ Seal installation
- ▶ Lining: HR = hard rubber




► **Seal installation**

► Lining: PUR = polyurethane, PTFE, PFA, NR = natural rubber

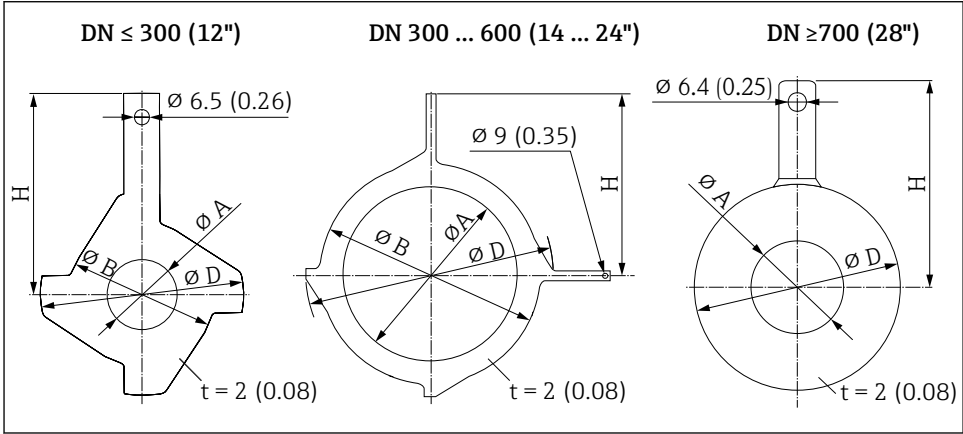


 For detailed information on potential equalization, see the "Potential equalization" section of the Operating Instructions for the device.

 For torques, see the following tables.

6.1 Dimensions

Ground disks for flange connections in accordance with EN (DIN)/ JIS/ AS/ ANSI



DN ¹⁾		Pressure rating	A				B		D		H	
EN (DIN)/ JIS/ AS ⁴⁾	ANSI		PTFE, PFA, PUR ⁵⁾ , HR ⁵⁾		NR ⁵⁾		[mm]	[inch]	[mm]	[inch]	[mm]	[inch]
[mm]	[inch]		[mm]	[inch]	[mm]	[inch]						
15	½"	1)	16	0.63	-	-	43	1.69	61.5	2.42	73	2.87
25	1"	1)	26	1.02	-	-	62	2.44	77.5	3.05	87.5	3.44
32	1 ¼"	1)	35	1.38	-	-	80	3.15	87.5	3.44	94.5	3.72
40	1 ½"	1)	41	1.61	-	-	82	3.23	101	3.98	103	4.06
50	2"	1)	52	2.05	-	-	101	3.98	115.5	4.55	108	4.25
65	2 ½"	1)	68	2.68	53	2.09	121	4.76	131.5	5.18	118	4.65
80	3"	1)	80	3.15	66	2.60	131	5.16	154.5	6.08	135	5.31
100	4"	1)	104	4.09	91.5	3.60	156	6.14	186.5	7.34	153	6.02
125	5"	1)	130	5.12	117	4.61	187	7.36	206.5	8.13	160	6.30
150	6"	1)	158	6.22	143.5	5.65	217	8.54	256	10.08	184	7.24
200	8"	1)	206	8.11	192	7.56	267	10.51	288	11.34	205	8.07
250	10"	1)	260	10.2	245	9.65	328	12.91	359	14.13	240	9.45
300	12"	2)	312	12.3	294.5	11.59	375	14.76	413	16.26	273	10.75
		3)	310	12.2	-	-	375	14.76	404	15.91	268	10.55

DN ¹⁾		Pressure rating	A				B		D		H	
EN (DIN)/ JIS/ AS ⁴⁾	ANSI		PTFE, PFA, PUR ³⁾ , HR ³⁾		NR ⁵⁾		[mm]	[inch]	[mm]	[inch]	[mm]	[inch]
[mm]	[inch]		[mm]	[inch]	[mm]	[inch]						
350	14"	PN 6	420	16.5	-	-	420	16.54	479	18.86	365	14.37
		PN 10			323.5	12.74						
		PN 16			-	-						
375	15"	PN 16	461	18.2	393	15.5	461	18.2	523	20.6	395	15.6
400	16"	PN 6	470	18.5	-	-	470	18.50	542	21.34	395	15.55
		PN 10			371	14.61						
		PN 16			-	-						
450	18"	PN 6	525	20.7	-	-	525	20.67	583	22.95	417	16.42
		PN 10			420	16.54						
		PN 16			-	-						
500	20"	PN 6	575	22.6	-	-	575	22.64	650	25.59	460	18.11
		PN 10			469	18.46						
		PN 16			-	-						
600	24"	PN 6	676	26.6	-	-	676	26.61	766	30.16	522	20.55
		PN 10			566	22.28						
		PN 16			-	-						
700	28"	PN 6	697	27.4	-	-	-	-	786	30.94	460	18.11
		PN10	693	27.3	-	-	-	-	813	32.01	480	18.9
		PN16	687	27.1	-	-	-	-	807	31.77	490	19.29
		Cl, D	693	27.3	-	-	-	-	832	32.76	494	19.45
750	30"	Cl, D	743	29.3	-	-	-	-	833	32.8	523	20.59
800	32"	PN 6	799	31.5	-	-	-	-	893	35.16	520	20.47
		PN10	795	31.3	-	-	-	-	920	36.22	540	21.26
		PN16	789	31.1	-	-	-	-	914	35.98	550	21.65
		Cl, D	795	31.3	-	-	-	-	940	37.01	561	22.09
900	36"	PN 6	897	35.3	-	-	-	-	993	39.09	570	22.44
		PN 10	893	35.2	-	-	-	-	1020	40.16	590	23.23
		PN 16	886	34.9	-	-	-	-	1014	39.92	595	23.43
		Cl, D	893	35.2	-	-	-	-	1048	41.26	615	24.21

DN ¹⁾		Pressure rating	A				B		D		H	
EN (DIN)/ JIS/ AS ⁴⁾	ANSI		PTFE, PFA, PUR ⁵⁾ , HR ⁵⁾		NR ⁵⁾		[mm]	[inch]	[mm]	[inch]	[mm]	[inch]
[mm]	[inch]		[mm]	[inch]	[mm]	[inch]						
1000	40"	PN 6	999	39.3	-	-	-	-	1093	43.03	620	24.41
		PN10	995	39.2	-	-	-	-	1127	44.37	650	25.59
		PN16	988	38.9	-	-	-	-	1131	44.53	660	25.98
		Cl, D	995	39.2	-	-	-	-	1163	45.79	675	26.57
1100	42"	PN 6	1044	41.1	-	-	-	-	1220	48.03	704	27.72
1200	48"	PN 6	1203	47.4	-	-	-	-	1310	51.57	733	28.86
		PN10	1196	47.1	-	-	-	-	1344	52.91	760	29.92
		PN16	1196	47.1	-	-	-	-	1385	54.53	786	30.94
		Cl, D	1188	46.8	-	-	-	-	1345	52.95	775	30.51

¹⁾ In the case of DN 15 to 250, ground disks can be used for all the flange standards/pressure ratings which can be supplied in the standard version

²⁾ PN 10/ 16, Cl. 150

³⁾ PN 25, JIS 10K/ 20K

⁴⁾ For flanges according to AS, only DN 25 and DN 50 are available.

⁵⁾ Abbreviations (liner): PUR = polyurethane, NR = natural rubber, HR = hard rubber

DN		Pressure rating	A		B		D		H	
[mm]	[inch]		[mm]	[inch]	[mm]	[inch]	[mm]	[inch]	[mm]	[inch]
25	1"	¹⁾	26	1.02	62	2.44	77.5	3.05	87.5	3.44
32	1 ¼"	¹⁾	35	1.38	80	3.15	87.5	3.44	94.5	3.72
40	1 ½"	¹⁾	41	1.61	82	3.23	101	3.98	103	4.06
50	2"	¹⁾	52	2.05	101	3.98	115.5	4.55	108	4.25
65	2 ½"	¹⁾	68	2.68	121	4.76	131.5	5.18	118	4.65
80	3"	¹⁾	80	3.15	131	5.16	154.5	6.08	135	5.31
100	4"	¹⁾	104	4.09	156	6.14	186.5	7.34	153	6.02
125	5"	¹⁾	130	5.12	187	7.36	206.5	8.13	160	6.30
150	6"	¹⁾	158	6.22	217	8.54	256	10.08	184	7.24
200	8"	¹⁾	206	8.11	267	10.51	288	11.34	205	8.07
250	10"	¹⁾	260	10.2	328	12.91	359	14.13	240	9.45
300	12"	PN 10 PN 16 Cl. 150	312	12.3	375	14.76	413	16.26	273	10.75

DN		Pressure rating	A		B		D		H	
[mm]	[inch]		[mm]	[inch]	[mm]	[inch]	[mm]	[inch]	[mm]	[inch]
		PN 25 JIS 10K JIS 20K	310	12.2	375	14.76	404	15.91	268	10.55
350	14"	PN 6	420	16.5	420	16.54	479	18.86	365	14.37
		PN 10								
		PN 16								
375	15"	PN 16	461	18.2	461	18.2	523	20.6	395	15.6
400	16"	PN 6	470	18.5	470	18.50	542	21.34	395	15.55
		PN 10								
		PN 16								
450	18"	PN 6	525	20.7	525	20.67	583	22.95	417	16.42
		PN 10								
		PN 16								
500	20"	PN 6	575	22.6	575	22.64	650	25.59	460	18.11
		PN 10								
		PN 16								
600	24"	PN 6	676	26.6	676	26.61	766	30.16	522	20.55
		PN 10								
		PN 16								
700	28"	PN 6	697	27.4	-	-	786	30.94	460	18.11
		PN10	693	27.3	-	-	813	32.01	480	18.9
		PN16	687	27.1	-	-	807	31.77	490	19.29
		Cl, D	693	27.3	-	-	832	32.76	494	19.45
750	30"	Cl, D	743	29.3	-	-	833	32.8	523	20.59
800	32"	PN 6	799	31.5	-	-	893	35.16	520	20.47
		PN 10	795	31.3	-	-	920	36.22	540	21.26
		PN 16	789	31.1	-	-	914	35.98	550	21.65
		Cl, D	795	31.3	-	-	940	37.01	561	22.09
900	36"	PN 6	897	35.3	-	-	993	39.09	570	22.44
		PN 10	893	35.2	-	-	1020	40.16	590	23.23
		PN 16	886	34.9	-	-	1014	39.92	595	23.43
		Cl, D	893	35.2	-	-	1048	41.26	615	24.21

DN		Pressure rating	A		B		D		H	
[mm]	[inch]		[mm]	[inch]	[mm]	[inch]	[mm]	[inch]	[mm]	[inch]
1000	40°	PN 6	999	39.3	-	-	1093	43.03	620	24.41
		PN 10	995	39.2	-	-	1127	44.37	650	25.59
		PN 16	988	38.9	-	-	1131	44.53	660	25.98
		Cl, D	995	39.2	-	-	1163	45.79	675	26.57
-	42°	PN 6	1044	41.1	-	-	1220	48.03	704	27.72
1200	48°	PN 6	1203	47.4	-	-	1310	51.57	733	28.86
		PN 10	1196	47.1	-	-	1344	52.91	760	29.92
		PN 16	1196	47.1	-	-	1385	54.53	786	30.94
		Cl, D	1188	46.8	-	-	1345	52.95	775	30.51

- 1) In the case of DN 25 to 250, ground disks can be used for all the flange standards/pressure ratings which can be supplied in the standard version

6.2 Torques

Abbreviations (lining): PUR = polyurethane, NR = natural rubber, HR = hard rubber

EN (DIN) (pressure rating in [bar])

Nominal diameter	Pressure rating	Screws	Max. tightening torque [Nm]					
			HR	PUR	PTFE	PFA	NR	
Promag W, P, S								
15	40	4 × M12	-	-	11	-	-	
25	40	4 × M12	-	15	26	20	-	
32	40	4 × M16	-	24	41	35	-	
40	40	4 × M16	-	31	52	47	-	
50	40	4 × M16	48	40	65	59	-	
65*	16	4 × M16	32	27	87	80	11	
65	40	8 × M16	32	27	43	40	-	
80	16	8 × M16	40	34	53	48	13	
80	40	8 × M16	40	34	53	48	-	
100	16	8 × M16	43	36	57	51	14	
100	40	8 × M20	59	50	78	70	-	
125	16	8 × M16	56	48	75	67	19	
125	40	8 × M24	83	71	111	99	-	
150	16	8 × M20	74	63	99	85	27	

Nominal diameter	Pressure rating	Screws	Max. tightening torque [Nm]				
			HR	PUR	PTFE	PFA	NR
Promag W, P, S							
150	40	8 × M24	104	88	136	120	-
200	10	8 × M20	106	91	141	101	-
200	16	12 × M20	70	61	94	67	28
200	25	12 × M24	104	92	138	105	-
250	10	12 × M20	82	71	110	-	27
250	16	12 × M24	98	85	131	-	-
250	25	12 × M27	150	134	200	-	-
300	10	12 × M20	94	81	125	-	34
300	16	12 × M24	134	118	179	-	-
300	25	16 × M27	153	138	204	-	-
350	6	12 × M20	111	120	-	-	-
350	10	16 × M20	112	118	188	-	47
350	16	16 × M24	152	165	254	-	-
350	25	16 × M30	227	252	380	-	-
400	6	16 × M20	90	98	-	-	-
400	10	16 × M24	151	167	260	-	65
400	16	16 × M27	193	215	330	-	-
400	25	16 × M33	289	326	488	-	-
450	6	16 × M20	112	126	-	-	-
450	10	20 × M24	153	133	235	-	59
450	16	20 × M27	198	196	300	-	-
450	25	20 × M33	256	253	385	-	-
500	6	20 × M20	119	123	-	-	-
500	10	20 × M24	155	171	265	-	66
500	16	20 × M30	275	300	448	-	-
500	25	20 × M33	317	360	533	-	-
600	6	20 × M24	139	147	-	-	-
600	10	20 × M27	206	219	345	-	93
600*	16	20 × M33	415	443	658	-	-
600	25	20 × M36	431	516	731	-	-
700	6	24 × M24	148	139	-	-	-

Nominal diameter	Pressure rating	Screws	Max. tightening torque [Nm]				
			HR	PUR	PTFE	PFA	NR
Promag W, P, S							
700	10	24 × M27	246	246	-	-	-
700	16	24 × M33	278	318	-	-	-
700	25	24 × M39	449	507	-	-	-
800	6	24 × M27	206	182	-	-	-
800	10	24 × M30	331	316	-	-	-
800	16	24 × M36	369	385	-	-	-
800	25	24 × M45	664	721	-	-	-
900	6	24 × M27	230	637	-	-	-
900	10	28 × M30	316	307	-	-	-
900	16	28 × M36	353	398	-	-	-
900	25	28 × M45	690	716	-	-	-
1000	6	28 × M27	218	208	-	-	-
1000	10	28 × M33	402	405	-	-	-
1000	16	28 × M39	502	518	-	-	-
1000	25	28 × M52	970	971	-	-	-
1200	6	32 × M30	319	299	-	-	-
1200	10	32 × M36	564	568	-	-	-
1200	16	32 × M45	701	753	-	-	-
1400	6	36 × M33	430	398	-	-	-
1400	10	36 × M39	654	618	-	-	-
1400	16	36 × M45	729	762	-	-	-
1600	6	40 × M33	440	417	-	-	-
1600	10	40 × M45	946	893	-	-	-
1600	16	40 × M52	1007	1100	-	-	-
1800	6	44 × M36	547	521	-	-	-
1800	10	44 × M45	961	895	-	-	-
1800	16	44 × M52	1108	1003	-	-	-
2000	6	48 × M39	629	605	-	-	-
2000	10	48 × M45	1047	1092	-	-	-
2000	16	48 × M56	1324	1261	-	-	-
*Designed acc. to EN 1092-1 (not to DIN 2501)							

EN (DIN) (pressure rating in [bar])

Nominal diameter	Pressure rating	Screws	Max. tightening torque [Nm]				
			HR	PUR	PTFE	PFA	NR
Promag L							
50	16	4 × M16	-	15	-	-	-
65*	16	8 × M16	-	10	-	-	-
80	16	8 × M16	-	15	-	-	-
100	16	8 × M16	-	20	-	-	-
125	16	8 × M16	-	30	-	-	-
150	16	8 × M20	-	50	-	-	-
200	10	8 × M20	-	65	-	-	-
250	10	12 × M20	-	50	-	-	-
300	10	12 × M20	-	55	-	-	-
*Designed acc. to EN 1092-1 (not to DIN 2501)							

AS 2129 (pressure rating Tab. E)

Nominal diameter	Pressure rating	Screws	Max. tightening torque [Nm]				
			HR	PUR	PTFE	PFA	NR
25	Tab. E	4 × M12	15	-	21	-	-
40	Tab. E	4 × M12	21	-	27	-	-
50	Tab. E	4 × M16	32	-	42	-	-
80	Tab. E	4 × M16	49	-	66	-	-
100	Tab. E	8 × M16	38	-	51	-	-
150	Tab. E	8 × M20	64	-	86	-	-
200	Tab. E	8 × M20	96	-	128	-	-
250	Tab. E	12 × M20	98	-	130	-	-
300	Tab. E	12 × M24	123	-	164	-	-
350	Tab. E	12 × M24	203	-	339	-	-
400	Tab. E	12 × M24	226	-	387	-	-
450	Tab. E	16 × M24	226	-	-	-	-
500	Tab. E	16 × M24	271	-	442	-	-
600	Tab. E	16 × M30	439	-	706	-	-
700	Tab. E	20 × M30	355	-	-	-	-
750	Tab. E	20 × M33	559	-	-	-	-

Nominal diameter	Pressure rating	Screws	Max. tightening torque [Nm]				
			HR	PUR	PTFE	PFA	NR
800	Tab. E	20 × M33	631	-	-	-	-
900	Tab. E	24 × M33	627	-	-	-	-
1000	Tab. E	24 × M36	634	-	-	-	-
1200	Tab. E	32 × M36	727	-	-	-	-

AS 4087 (pressure rating PN16)

Nominal diameter	Pressure rating	Screws	Max. tightening torque [Nm]				
			HR	PUR	PTFE	PFA	NR
25	PN16	-	-	-	-	-	-
40	PN16	-	-	-	-	-	-
50	PN16	4 × M16	32	-	42	-	-
80	PN16	4 × M16	49	-	66	-	-
100	PN16	4 × M16	76	-	101	-	-
150	PN16	8 × M16	52	-	69	-	-
200	PN16	8 × M16	77	-	103	-	-
250	PN16	8 × M20	147	-	195	-	-
300	PN16	12 × M20	103	-	137	-	-
350	PN16	12 × M24	203	-	339	-	-
375	PN16	12 × M24	137	-	-	-	-
400	PN16	12 × M24	226	-	387	-	-
450	PN16	12 × M24	301	-	-	-	-
500	PN16	16 × M24	271	-	442	-	-
600	PN16	16 × M27	393	-	632	-	-
700	PN16	20 × M27	330	-	-	-	-
750	PN16	20 × M30	529	-	-	-	-
800	PN16	20 × M33	631	-	-	-	-
900	PN16	24 × M33	627	-	-	-	-
1000	PN16	24 × M33	595	-	-	-	-
1200	PN16	32 × M33	703	-	-	-	-

JIS

Nominal diameter	Pressure rating	Screws	Max. tightening torque [Nm]				
			HR	PUR	PTFE	PFA	NR
15	10K	4 × M12	-	-	14	-	-
15	20K	4 × M12	-	-	14	-	-
25	10K	4 × M16	-	19	32	27	-
25	20K	4 × M16	-	19	32	27	-
32	10K	4 × M16	-	22	38	-	-
32	20K	4 × M16	-	22	38	-	-
40	10K	4 × M16	-	24	41	37	-
40	20K	4 × M16	-	24	41	37	-
50	10K	4 × M16	40	33	54	46	-
50	20K	8 × M16	20	17	27	23	-
65	10K	4 × M16	55	45	74	63	-
65	20K	8 × M16	28	23	37	31	-
80	10K	8 × M16	29	23	38	32	-
80	20K	8 × M20	42	35	57	46	-
100	10K	8 × M16	35	29	47	38	-
100	20K	8 × M20	56	48	75	58	-
125	10K	8 × M20	60	51	80	-	-
125	20K	8 × M22	91	79	121	-	-
150	10K	8 × M20	75	63	99	-	-
150	20K	12 × M22	81	72	108	-	-
200	10K	12 × M20	61	52	82	-	-
200	20K	12 × M22	91	80	121	-	-
250	10K	12 × M22	100	87	133	-	-
250	20K	12 × M24	159	144	212	-	-
300	10K	16 × M22	74	63	99	-	-
300	20K	16 × M24	138	124	183	-	-

ANSI

Nominal diameter		Pressure rating	Screws	Max. tightening torque							
				HR		PUR		PTFE		PFA	
Inch	mm			[lbf ft]	[Nm]	[lbf ft]	[Nm]	[lbf ft]	[Nm]	[lbf ft]	[Nm]
Promag W, P, S											
½"	15	Class 150	4 × ½"	-	-	-	-	4.4	6	-	-
		Class 300	4 × ½"	-	-	-	-	4.4	6	-	-
1"	25	Class 150	4 × ½"	-	-	5.2	7	8.1	11	7.4	10
		Class 300	4 × 5/8"	-	-	5.9	8	10	14	8.9	12
1½"	40	Class 150	4 × ½"	-	-	7.4	10	18	24	15	21
		Class 300	4 × ¾"	-	-	11	15	25	34	23	31
2"	50	Class 150	4 × 5/8"	26	35	16	22	35	47	32	44
		Class 300	8 × 5/8"	13	18	8.1	11	17	23	16	22
3"	80	Class 150	4 × 5/8"	44	60	32	43	58	79	49	67
		Class 300	8 × ¾"	28	38	19	26	35	47	31	42
4"	100	Class 150	8 × 5/8"	31	42	23	31	41	56	37	50
		Class 300	8 × ¾"	43	58	30	40	49	67	44	59
6"	150	Class 150	8 × ¾"	58	79	44	59	78	106	63	86
		Class 300	12 × ¾"	52	70	38	51	54	73	49	67
8"	200	Class 150	8 × ¾"	79	107	59	80	105	143	80	109
10"	250	Class 150	12 × 7/8"	75	101	55	75	100	135	-	-
12"	300	Class 150	12 × 7/8"	98	133	76	103	131	178	-	-
14"	350	Class 150	12 × 1"	100	135	117	158	192	260	-	-
16"	400	Class 150	16 × 1"	94	128	111	150	181	246	-	-
18"	450	Class 150	16 × 11/8"	150	204	173	234	274	371	-	-
20"	500	Class 150	20 × 11/8"	135	183	160	217	252	341	-	-
24"	600	Class 150	20 × 1¼"	198	268	226	307	352	477	-	-

Nominal diameter		Pressure rating	Screws	Max. tightening torque							
				HR		PUR		PTFE		PFA	
Inch	mm			[lbf ft]	[Nm]	[lbf ft]	[Nm]	[lbf ft]	[Nm]	[lbf ft]	[Nm]
Promag L											
2"	50	Class 150	4 × 5/8"	-	-	11	15	-	-	-	-
3"	80	Class 150	4 × 5/8"	-	-	18	25	-	-	-	-

Nominal diameter		Pressure rating	Screws	Max. tightening torque							
				HR		PUR		PTFE		PFA	
Inch	mm			[lbf ft]	[Nm]	[lbf ft]	[Nm]	[lbf ft]	[Nm]	[lbf ft]	[Nm]
Promag L											
4"	100	Class 150	8 × 5/8"	-	-	15	20	-	-	-	-
6"	150	Class 150	8 × ¾"	-	-	33	45	-	-	-	-
8"	200	Class 150	8 × ¾"	-	-	48	65	-	-	-	-
10"	250	Class 150	12 × 7/8"	-	-	41	55	-	-	-	-
12"	300	Class 150	12 × 7/8"	-	-	56	68	-	-	-	-

AWWA

Nominal diameter		Pressure rating	Screws	Max. tightening torque			
				HR		PUR	
Inch	mm			[lbf ft]	[Nm]	[lbf ft]	[Nm]
28"	700	Class D	28 × 1¼"	182	247	215	292
30"	750	Class D	28 × 1¼"	212	287	223	302
32"	800	Class D	28 × 1½"	291	394	311	422
36"	900	Class D	32 × 1½"	309	419	317	430
40"	1000	Class D	36 × 1½"	310	420	352	477
42"	1050	Class D	36 × 1½"	389	528	382	518
48"	1200	Class D	44 × 1½"	407	552	392	531
54"	1350	Class D	44 × 1¾"	538	730	467	633
60"	1500	Class D	52 × 1¾"	559	758	614	832
66"	1650	Class D	52 × 1¾"	698	946	704	955
72"	1800	Class D	60 × 1¾"	719	975	802	1087
78"	2000	Class D	64 × 2"	629	853	580	786

7 Disposal



If required by the Directive 2012/19/EU on waste electrical and electronic equipment (WEEE), the product is marked with the depicted symbol in order to minimize the disposal of WEEE as unsorted municipal waste. Do not dispose of products bearing this marking as unsorted municipal waste. Instead, return them to Endress+Hauser for disposal under the applicable conditions.

Einbau von Erdungsscheiben

Promag, 10, 23, 50, 51, 53, 55, 100, 200, 300, 500, 800, 400 Index C

Inhaltsverzeichnis

1	Übersicht Zubehörteil	22
2	Einbauberechtigte Personen	22
3	Sicherheitshinweise	22
4	Verwendete Symbole	23
5	Werkzeugliste	24
6	Einbau von Erdungsscheiben	24
7	Entsorgung	38

1 Übersicht Zubehörteil

Die Einbauanleitung ist für folgendes Zubehörteil gültig:

Bestellnummer	Original Zubehörteil
DK5GD-****	1 × Erdungsscheibe

2 Einbauberechtigte Personen

Die Berechtigung zur Durchführung eines Einbaus ist von der Zulassung des Messgeräts abhängig. Die Tabelle zeigt den jeweils berechtigten Personenkreis.



Die Person, die einen Einbau vornimmt, übernimmt die Verantwortung für die Sicherheit während der Arbeiten, die Qualität der Ausführung und die Sicherheit des Geräts nach dem Einbau.

Zulassung des Messgeräts	Einbauberechtigter Personenkreis ¹⁾
Ohne Zulassung	1, 2, 3
Mit Zulassung (z.B. IECEx)	1, 2, 3
Bei eichfähigem Verkehr	4

- 1) 1 = Ausgebildete Fachkraft des Kunden, 2 = Von Endress+Hauser autorisierter Servicetechniker,
 3 = Endress+Hauser (Messgerät an Hersteller zurücksenden)
 4 = Mit der lokalen Zulassungsstelle prüfen, ob ein Ein-/Umbau unter Aufsicht erfolgen muss.

3 Sicherheitshinweise

- Nur Originalteile von Endress+Hauser verwenden.
- Nationale Vorschriften bezüglich der Montage, elektrischen Installation, Inbetriebnahme, Wartung und Reparatur einhalten.
- Folgende Anforderungen an das Fachpersonal für Montage, elektrische Installation, Inbetriebnahme, Wartung und Reparatur der Messgeräte müssen erfüllt sein:
 - In Gerätesicherheit ausgebildet.
 - Mit den jeweiligen Einsatzbedingungen der Geräte vertraut.
 - Bei Ex-zertifizierten Messgeräten: zusätzlich im Explosionsschutz ausgebildet.
- Messgerät unter Spannung! Lebensgefahr durch Stromschlag. Messgerät nur im spannungslosen Zustand öffnen.
- Bei Messgeräten für den explosionsgefährdeten Bereich: Hinweise in der Ex-Dokumentation (XA) beachten.
- Bei Messgeräten in sicherheitstechnischen Applikationen gemäß IEC 61508 bzw. IEC 61511: Nach Einbau Neuinbetriebnahme gemäß Betriebsanleitung durchführen. Einbau dokumentieren.




- Vor einem Geräteausbau: Prozess in sicheren Zustand bringen und Leitung von gefährlichen Prozessstoffen befreien.
- Verbrennungsgefahr durch heiße Oberflächen! Vor Arbeitsbeginn: Anlage und Messgerät auf berührungssichere Temperatur abkühlen.
- Bei Messgeräten im abrechnungspflichtigen Verkehr: Nach Entfernen der Plombe ist der geeichte Zustand aufgehoben.
- Die Betriebsanleitung zum Messgerät ist zu beachten.
- Beschädigungsgefahr elektronischer Bauteile! Eine ESD-geschützte Arbeitsumgebung herstellen.
- Nach Entfernen der Elektronikabdeckung: Stromschlaggefahr durch aufgehobenen Berührungsschutz!
Messgerät ausschalten, bevor interne Abdeckungen entfernt werden.
- Änderungen am Messgerät sind nicht zulässig.
- Gehäuse nur kurzzeitig öffnen. Eindringen von Fremdkörpern, Feuchtigkeit oder Verunreinigung vermeiden.
- Defekte Dichtungen nur durch Original-Dichtungen von Endress+Hauser ersetzen.
- Defekte Gewinde erfordern eine Instandsetzung des Messgeräts.
- Gewinde (z.B. von Elektronikraum- und Anschlussraumdeckel) müssen geschmiert sein, sofern keine abriebfeste Trockenschmierung vorhanden ist. Säurefreies, nicht härtendes Fett verwenden.
- Wenn bei den Einbauarbeiten Abstände reduziert oder die Spannungsfestigkeit des Messgeräts nicht sichergestellt werden kann: Prüfung nach Abschluss der Arbeiten durchführen (z.B. Hochspannungstest gemäß Herstellerangaben).
- Servicestecker:
 - Nicht in explosionsfähiger Atmosphäre anschließen.
 - Nur an Servicegeräte von Endress+Hauser anschließen.
- Die in der Betriebsanleitung aufgeführten Hinweise zum Transport und zur Rücksendung beachten.



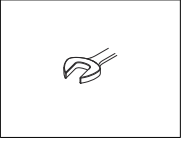
Bei Fragen kontaktieren Sie bitte Ihre zuständige [Endress+Hauser Serviceorganisation](#).

4 Verwendete Symbole

4.1 Symbole für Informationstypen

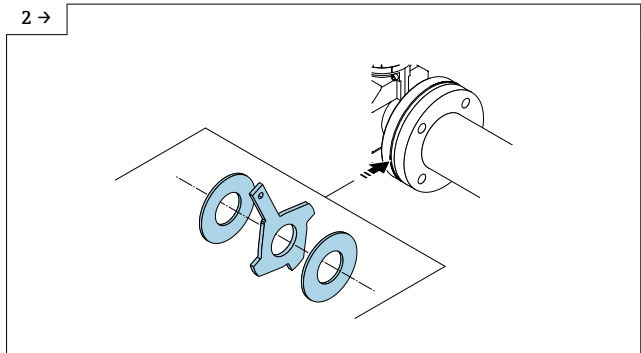
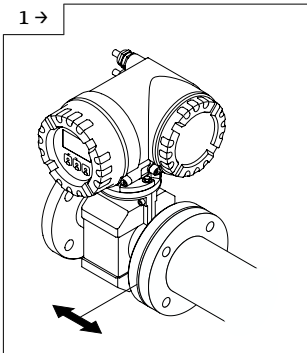
Symbol	Bedeutung
	Erlaubt Abläufe, Prozesse oder Handlungen, die erlaubt sind.
	Verboten Abläufe, Prozesse oder Handlungen, die verboten sind.
	Tipp Kennzeichnet zusätzliche Informationen.
1, 2, 3...	Handlungsschritte

5 Werkzeugliste

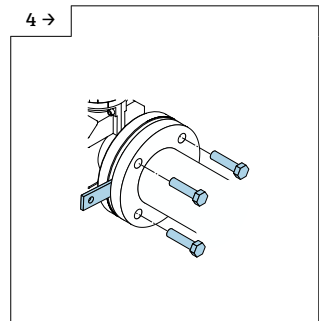
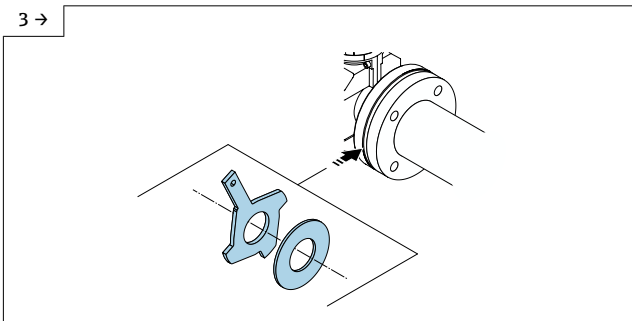


6 Einbau von Erdungsscheiben

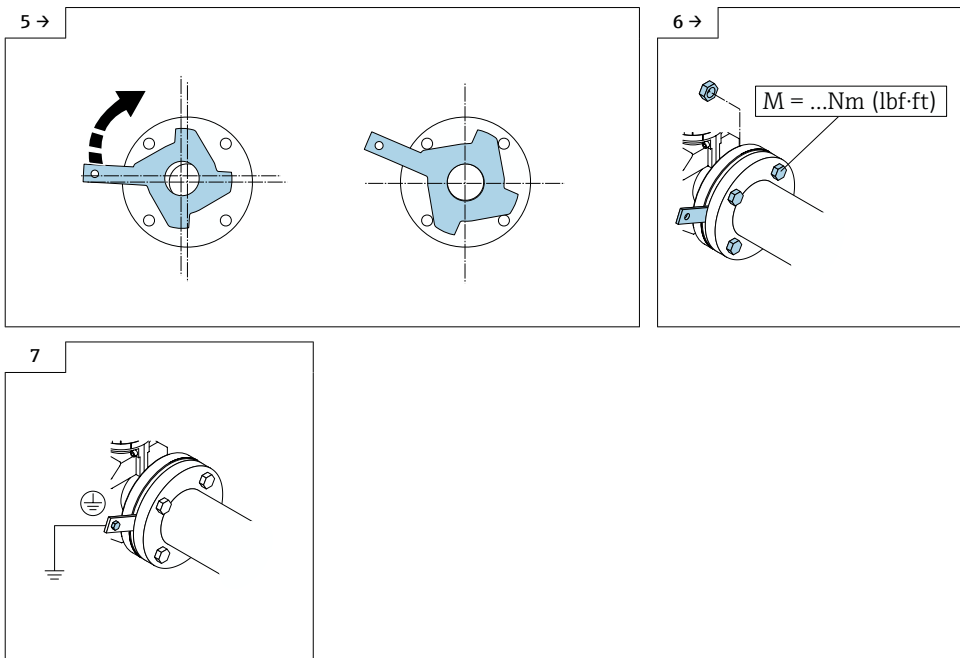
i Abmessungen beachten! Bei der Verwendung von Erdungsscheiben (inkl. Dichtungen) erhöht sich die Einbaulänge!




- ▶ Dichtungsmontage
- ▶ Auskleidung: HR = Hartgummi



- ▶ Dichtungsmontage
- ▶ Auskleidung: PUR = Polyurethan, PTFE, PFA, NR = Naturgummi

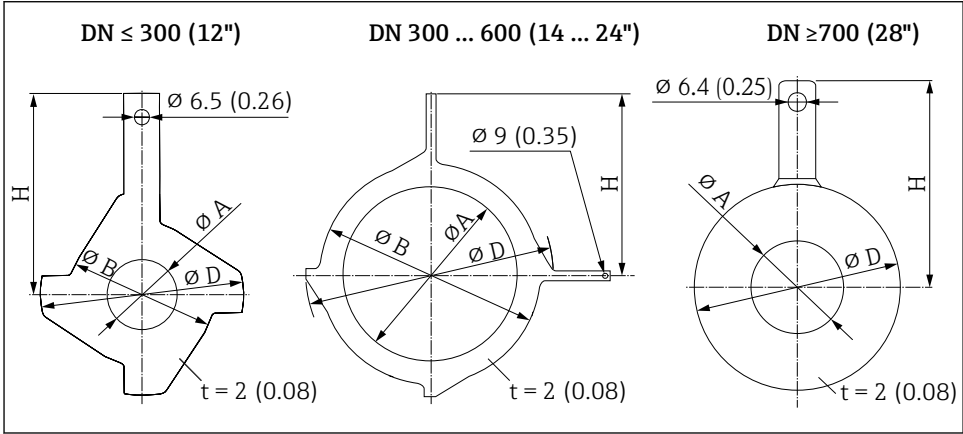


 Detaillierte Angaben zum Potentialausgleich: Kapitel "Potentialausgleich", Betriebsanleitung zum Gerät.

 Drehmomente siehe nachfolgende Tabellen.

6.1 Abmessungen

Erdungsscheiben für Flanschschlüsse gemäß EN (DIN)/ JIS/ AS/ ANSI



DN ¹⁾		Druckstufe	A				B		D		H	
EN (DIN)/ JIS/ AS ⁴⁾	ANSI		PTFE, PFA, PUR ⁵⁾ , HR ⁵⁾		NR ⁵⁾		[mm]	[inch]	[mm]	[inch]	[mm]	[inch]
[mm]	[inch]		[mm]	[inch]	[mm]	[inch]						
15	½"	1)	16	0,63	-	-	43	1,69	61,5	2,42	73	2,87
25	1"	1)	26	1,02	-	-	62	2,44	77,5	3,05	87,5	3,44
32	1 ¼"	1)	35	1,38	-	-	80	3,15	87,5	3,44	94,5	3,72
40	1 ½"	1)	41	1,61	-	-	82	3,23	101	3,98	103	4,06
50	2"	1)	52	2,05	-	-	101	3,98	115,5	4,55	108	4,25
65	2 ½"	1)	68	2,68	53	2,09	121	4,76	131,5	5,18	118	4,65
80	3"	1)	80	3,15	66	2,60	131	5,16	154,5	6,08	135	5,31
100	4"	1)	104	4,09	91,5	3,60	156	6,14	186,5	7,34	153	6,02
125	5"	1)	130	5,12	117	4,61	187	7,36	206,5	8,13	160	6,30
150	6"	1)	158	6,22	143,5	5,65	217	8,54	256	10,08	184	7,24
200	8"	1)	206	8,11	192	7,56	267	10,51	288	11,34	205	8,07
250	10"	1)	260	10,2	245	9,65	328	12,91	359	14,13	240	9,45
300	12"	2)	312	12,3	294,5	11,59	375	14,76	413	16,26	273	10,75
		3)	310	12,2	-	-	375	14,76	404	15,91	268	10,55

DN ¹⁾		Druckstufe	A				B		D		H	
EN (DIN)/ JIS/ AS ⁴⁾	ANSI		PTFE, PFA, PUR ⁵⁾ , HR ⁵⁾		NR ⁵⁾		[mm]	[inch]	[mm]	[inch]	[mm]	[inch]
[mm]	[inch]		[mm]	[inch]	[mm]	[inch]						
350	14"	PN 6	420	16,5	-	-	420	16,54	479	18,86	365	14,37
		PN 10			323,5	12,74						
		PN 16			-	-						
375	15"	PN 16	461	18,2	393	15,5	461	18,2	523	20,6	395	15,6
400	16"	PN 6	470	18,5	-	-	470	18,50	542	21,34	395	15,55
		PN 10			371	14,61						
		PN 16			-	-						
450	18"	PN 6	525	20,7	-	-	525	20,67	583	22,95	417	16,42
		PN 10			420	16,54						
		PN 16			-	-						
500	20"	PN 6	575	22,6	-	-	575	22,64	650	25,59	460	18,11
		PN 10			469	18,46						
		PN 16			-	-						
600	24"	PN 6	676	26,6	-	-	676	26,61	766	30,16	522	20,55
		PN 10			566	22,28						
		PN 16			-	-						
700	28"	PN 6	697	27,4	-	-	-	-	786	30,94	460	18,11
		PN10	693	27,3	-	-	-	-	813	32,01	480	18,9
		PN16	687	27,1	-	-	-	-	807	31,77	490	19,29
		Cl, D	693	27,3	-	-	-	-	832	32,76	494	19,45
750	30"	Cl, D	743	29,3	-	-	-	-	833	32,8	523	20,59
800	32"	PN 6	799	31,5	-	-	-	-	893	35,16	520	20,47
		PN10	795	31,3	-	-	-	-	920	36,22	540	21,26
		PN16	789	31,1	-	-	-	-	914	35,98	550	21,65
		Cl, D	795	31,3	-	-	-	-	940	37,01	561	22,09
900	36"	PN 6	897	35,3	-	-	-	-	993	39,09	570	22,44
		PN 10	893	35,2	-	-	-	-	1020	40,16	590	23,23
		PN 16	886	34,9	-	-	-	-	1014	39,92	595	23,43
		Cl, D	893	35,2	-	-	-	-	1048	41,26	615	24,21

DN ¹⁾		Druckstufe	A				B		D		H	
EN (DIN)/ JIS/ AS ⁴⁾	ANSI		PTFE, PFA, PUR ⁵⁾ , HR ⁵⁾		NR ⁵⁾							
[mm]	[inch]		[mm]	[inch]	[mm]	[inch]	[mm]	[inch]	[mm]	[inch]	[mm]	[inch]
1000	40"	PN 6	999	39,3	-	-	-	-	1093	43,03	620	24,41
		PN10	995	39,2	-	-	-	-	1127	44,37	650	25,59
		PN16	988	38,9	-	-	-	-	1131	44,53	660	25,98
		Cl, D	995	39,2	-	-	-	-	1163	45,79	675	26,57
1100	42"	PN 6	1044	41,1	-	-	-	-	1220	48,03	704	27,72
1200	48"	PN 6	1203	47,4	-	-	-	-	1310	51,57	733	28,86
		PN10	1196	47,1	-	-	-	-	1344	52,91	760	29,92
		PN16	1196	47,1	-	-	-	-	1385	54,53	786	30,94
		Cl, D	1188	46,8	-	-	-	-	1345	52,95	775	30,51

¹⁾ Erdungsscheiben bei DN 15 ... 250 für alle im Standard lieferbaren Flanschnormen/ Druckstufen einsetzbar
²⁾ PN 10/ 16, Cl. 150
³⁾ PN 25, JIS 10K/ 20K
⁴⁾ Bei Flanschen nach AS sind nur DN 25 und DN 50 verfügbar.
⁵⁾ Abkürzungen (Auskleidung): PUR = Polyurethan, NR = Naturgummi, HR = Hartgummi

DN		Druckstufe	A		B		D		H	
[mm]	[inch]		[mm]	[inch]	[mm]	[inch]	[mm]	[inch]	[mm]	[inch]
25	1"	¹⁾	26	1,02	62	2,44	77,5	3,05	87,5	3,44
32	1 ¼"	¹⁾	35	1,38	80	3,15	87,5	3,44	94,5	3,72
40	1 ½"	¹⁾	41	1,61	82	3,23	101	3,98	103	4,06
50	2"	¹⁾	52	2,05	101	3,98	115,5	4,55	108	4,25
65	2 ½"	¹⁾	68	2,68	121	4,76	131,5	5,18	118	4,65
80	3"	¹⁾	80	3,15	131	5,16	154,5	6,08	135	5,31
100	4"	¹⁾	104	4,09	156	6,14	186,5	7,34	153	6,02
125	5"	¹⁾	130	5,12	187	7,36	206,5	8,13	160	6,30
150	6"	¹⁾	158	6,22	217	8,54	256	10,08	184	7,24
200	8"	¹⁾	206	8,11	267	10,51	288	11,34	205	8,07
250	10"	¹⁾	260	10,2	328	12,91	359	14,13	240	9,45
300	12"	PN 10 PN 16 Cl. 150	312	12,3	375	14,76	413	16,26	273	10,75

DN		Druckstufe	A		B		D		H	
[mm]	[inch]		[mm]	[inch]	[mm]	[inch]	[mm]	[inch]	[mm]	[inch]
		PN 25 JIS 10K JIS 20K	310	12,2	375	14,76	404	15,91	268	10,55
350	14"	PN 6	420	16,5	420	16,54	479	18,86	365	14,37
		PN 10								
		PN 16								
375	15"	PN 16	461	18,2	461	18,2	523	20,6	395	15,6
400	16"	PN 6	470	18,5	470	18,50	542	21,34	395	15,55
		PN 10								
		PN 16								
450	18"	PN 6	525	20,7	525	20,67	583	22,95	417	16,42
		PN 10								
		PN 16								
500	20"	PN 6	575	22,6	575	22,64	650	25,59	460	18,11
		PN 10								
		PN 16								
600	24"	PN 6	676	26,6	676	26,61	766	30,16	522	20,55
		PN 10								
		PN 16								
700	28"	PN 6	697	27,4	-	-	786	30,94	460	18,11
		PN10	693	27,3	-	-	813	32,01	480	18,9
		PN16	687	27,1	-	-	807	31,77	490	19,29
		Cl, D	693	27,3	-	-	832	32,76	494	19,45
750	30"	Cl, D	743	29,3	-	-	833	32,8	523	20,59
800	32"	PN 6	799	31,5	-	-	893	35,16	520	20,47
		PN 10	795	31,3	-	-	920	36,22	540	21,26
		PN 16	789	31,1	-	-	914	35,98	550	21,65
		Cl, D	795	31,3	-	-	940	37,01	561	22,09
900	36"	PN 6	897	35,3	-	-	993	39,09	570	22,44
		PN 10	893	35,2	-	-	1020	40,16	590	23,23
		PN 16	886	34,9	-	-	1014	39,92	595	23,43
		Cl, D	893	35,2	-	-	1048	41,26	615	24,21

DN		Druckstufe	A		B		D		H	
[mm]	[inch]		[mm]	[inch]	[mm]	[inch]	[mm]	[inch]	[mm]	[inch]
1000	40"	PN 6	999	39,3	-	-	1093	43,03	620	24,41
		PN 10	995	39,2	-	-	1127	44,37	650	25,59
		PN 16	988	38,9	-	-	1131	44,53	660	25,98
		Cl, D	995	39,2	-	-	1163	45,79	675	26,57
-	42"	PN 6	1044	41,1	-	-	1220	48,03	704	27,72
1200	48"	PN 6	1203	47,4	-	-	1310	51,57	733	28,86
		PN 10	1196	47,1	-	-	1344	52,91	760	29,92
		PN 16	1196	47,1	-	-	1385	54,53	786	30,94
		Cl, D	1188	46,8	-	-	1345	52,95	775	30,51

1) Erdungsscheiben bei DN 25 ... 250 für alle im Standard lieferbaren Flanschnormen/ Druckstufen einsetzbar

6.2 Drehmomente

Abkürzungen (Auskleidung): PUR = Polyurethan, NR = Naturgummi, HR = Hartgummi

EN (DIN) (Druckstufe in [bar])

Nennweite	Druckstufe	Schrauben	Max. Anziehdrehmoment [Nm]				
			HR	PUR	PTFE	PFA	NR
Promag W, P, S							
15	40	4 × M12	-	-	11	-	-
25	40	4 × M12	-	15	26	20	-
32	40	4 × M16	-	24	41	35	-
40	40	4 × M16	-	31	52	47	-
50	40	4 × M16	48	40	65	59	-
65*	16	4 × M16	32	27	87	80	11
65	40	8 × M16	32	27	43	40	-
80	16	8 × M16	40	34	53	48	13
80	40	8 × M16	40	34	53	48	-
100	16	8 × M16	43	36	57	51	14
100	40	8 × M20	59	50	78	70	-
125	16	8 × M16	56	48	75	67	19
125	40	8 × M24	83	71	111	99	-
150	16	8 × M20	74	63	99	85	27

Nennweite	Druckstufe	Schrauben	Max. Anziehdrehmoment [Nm]				
			HR	PUR	PTFE	PFA	NR
Promag W, P, S							
150	40	8 × M24	104	88	136	120	-
200	10	8 × M20	106	91	141	101	-
200	16	12 × M20	70	61	94	67	28
200	25	12 × M24	104	92	138	105	-
250	10	12 × M20	82	71	110	-	27
250	16	12 × M24	98	85	131	-	-
250	25	12 × M27	150	134	200	-	-
300	10	12 × M20	94	81	125	-	34
300	16	12 × M24	134	118	179	-	-
300	25	16 × M27	153	138	204	-	-
350	6	12 × M20	111	120	-	-	-
350	10	16 × M20	112	118	188	-	47
350	16	16 × M24	152	165	254	-	-
350	25	16 × M30	227	252	380	-	-
400	6	16 × M20	90	98	-	-	-
400	10	16 × M24	151	167	260	-	65
400	16	16 × M27	193	215	330	-	-
400	25	16 × M33	289	326	488	-	-
450	6	16 × M20	112	126	-	-	-
450	10	20 × M24	153	133	235	-	59
450	16	20 × M27	198	196	300	-	-
450	25	20 × M33	256	253	385	-	-
500	6	20 × M20	119	123	-	-	-
500	10	20 × M24	155	171	265	-	66
500	16	20 × M30	275	300	448	-	-
500	25	20 × M33	317	360	533	-	-
600	6	20 × M24	139	147	-	-	-
600	10	20 × M27	206	219	345	-	93
600*	16	20 × M33	415	443	658	-	-
600	25	20 × M36	431	516	731	-	-
700	6	24 × M24	148	139	-	-	-

Nennweite	Druckstufe	Schrauben	Max. Anziehdrehmoment [Nm]				
			HR	PUR	PTFE	PFA	NR
Promag W, P, S							
700	10	24 × M27	246	246	-	-	-
700	16	24 × M33	278	318	-	-	-
700	25	24 × M39	449	507	-	-	-
800	6	24 × M27	206	182	-	-	-
800	10	24 × M30	331	316	-	-	-
800	16	24 × M36	369	385	-	-	-
800	25	24 × M45	664	721	-	-	-
900	6	24 × M27	230	637	-	-	-
900	10	28 × M30	316	307	-	-	-
900	16	28 × M36	353	398	-	-	-
900	25	28 × M45	690	716	-	-	-
1000	6	28 × M27	218	208	-	-	-
1000	10	28 × M33	402	405	-	-	-
1000	16	28 × M39	502	518	-	-	-
1000	25	28 × M52	970	971	-	-	-
1200	6	32 × M30	319	299	-	-	-
1200	10	32 × M36	564	568	-	-	-
1200	16	32 × M45	701	753	-	-	-
1400	6	36 × M33	430	398	-	-	-
1400	10	36 × M39	654	618	-	-	-
1400	16	36 × M45	729	762	-	-	-
1600	6	40 × M33	440	417	-	-	-
1600	10	40 × M45	946	893	-	-	-
1600	16	40 × M52	1007	1100	-	-	-
1800	6	44 × M36	547	521	-	-	-
1800	10	44 × M45	961	895	-	-	-
1800	16	44 × M52	1108	1003	-	-	-
2000	6	48 × M39	629	605	-	-	-
2000	10	48 × M45	1047	1092	-	-	-
2000	16	48 × M56	1324	1261	-	-	-
*Auslegung gemäß EN 1092-1 ((nicht nach DIN 2501)							

EN (DIN) (Druckstufe in [bar])

Nennweite	Druckstufe	Schrauben	Max. Anziehdrehmoment [Nm]				
			HR	PUR	PTFE	PFA	NR
Promag L							
50	16	4 × M16	-	15	-	-	-
65*	16	8 × M16	-	10	-	-	-
80	16	8 × M16	-	15	-	-	-
100	16	8 × M16	-	20	-	-	-
125	16	8 × M16	-	30	-	-	-
150	16	8 × M20	-	50	-	-	-
200	10	8 × M20	-	65	-	-	-
250	10	12 × M20	-	50	-	-	-
300	10	12 × M20	-	55	-	-	-
*Auslegung gemäß EN 1092-1 ((nicht nach DIN 2501)							

AS 2129 (Druckstufe Tab. E)

Nennweite	Druckstufe	Schrauben	Max. Anziehdrehmoment [Nm]				
			HR	PUR	PTFE	PFA	NR
25	Tab. E	4 × M12	15	-	21	-	-
40	Tab. E	4 × M12	21	-	27	-	-
50	Tab. E	4 × M16	32	-	42	-	-
80	Tab. E	4 × M16	49	-	66	-	-
100	Tab. E	8 × M16	38	-	51	-	-
150	Tab. E	8 × M20	64	-	86	-	-
200	Tab. E	8 × M20	96	-	128	-	-
250	Tab. E	12 × M20	98	-	130	-	-
300	Tab. E	12 × M24	123	-	164	-	-
350	Tab. E	12 × M24	203	-	339	-	-
400	Tab. E	12 × M24	226	-	387	-	-
450	Tab. E	16 × M24	226	-	-	-	-
500	Tab. E	16 × M24	271	-	442	-	-
600	Tab. E	16 × M30	439	-	706	-	-
700	Tab. E	20 × M30	355	-	-	-	-
750	Tab. E	20 × M33	559	-	-	-	-

Nennweite	Druckstufe	Schrauben	Max. Anziehdrehmoment [Nm]				
			HR	PUR	PTFE	PFA	NR
800	Tab. E	20 × M33	631	-	-	-	-
900	Tab. E	24 × M33	627	-	-	-	-
1000	Tab. E	24 × M36	634	-	-	-	-
1200	Tab. E	32 × M36	727	-	-	-	-

AS 4087 (Druckstufe PN16)

Nennweite	Druckstufe	Schrauben	Max. Anziehdrehmoment [Nm]				
			HR	PUR	PTFE	PFA	NR
25	PN16	-	-	-	-	-	-
40	PN16	-	-	-	-	-	-
50	PN16	4 × M16	32	-	42	-	-
80	PN16	4 × M16	49	-	66	-	-
100	PN16	4 × M16	76	-	101	-	-
150	PN16	8 × M16	52	-	69	-	-
200	PN16	8 × M16	77	-	103	-	-
250	PN16	8 × M20	147	-	195	-	-
300	PN16	12 × M20	103	-	137	-	-
350	PN16	12 × M24	203	-	339	-	-
375	PN16	12 × M24	137	-	-	-	-
400	PN16	12 × M24	226	-	387	-	-
450	PN16	12 × M24	301	-	-	-	-
500	PN16	16 × M24	271	-	442	-	-
600	PN16	16 × M27	393	-	632	-	-
700	PN16	20 × M27	330	-	-	-	-
750	PN16	20 × M30	529	-	-	-	-
800	PN16	20 × M33	631	-	-	-	-
900	PN16	24 × M33	627	-	-	-	-
1000	PN16	24 × M33	595	-	-	-	-
1200	PN16	32 × M33	703	-	-	-	-

JIS

Nennweite	Druckstufe	Schrauben	Max. Anziehdrehmoment [Nm]				
			HR	PUR	PTFE	PFA	NR
15	10K	4 × M12	-	-	14	-	-
15	20K	4 × M12	-	-	14	-	-
25	10K	4 × M16	-	19	32	27	-
25	20K	4 × M16	-	19	32	27	-
32	10K	4 × M16	-	22	38	-	-
32	20K	4 × M16	-	22	38	-	-
40	10K	4 × M16	-	24	41	37	-
40	20K	4 × M16	-	24	41	37	-
50	10K	4 × M16	40	33	54	46	-
50	20K	8 × M16	20	17	27	23	-
65	10K	4 × M16	55	45	74	63	-
65	20K	8 × M16	28	23	37	31	-
80	10K	8 × M16	29	23	38	32	-
80	20K	8 × M20	42	35	57	46	-
100	10K	8 × M16	35	29	47	38	-
100	20K	8 × M20	56	48	75	58	-
125	10K	8 × M20	60	51	80	-	-
125	20K	8 × M22	91	79	121	-	-
150	10K	8 × M20	75	63	99	-	-
150	20K	12 × M22	81	72	108	-	-
200	10K	12 × M20	61	52	82	-	-
200	20K	12 × M22	91	80	121	-	-
250	10K	12 × M22	100	87	133	-	-
250	20K	12 × M24	159	144	212	-	-
300	10K	16 × M22	74	63	99	-	-
300	20K	16 × M24	138	124	183	-	-

ANSI

Nennweite		Druckstufe	Schrauben	Max. Anziehdrehmoment							
				HR		PUR		PTFE		PFA	
Inch	mm			[lbf ft]	[Nm]	[lbf ft]	[Nm]	[lbf ft]	[Nm]	[lbf ft]	[Nm]
Promag W, P, S											
½"	15	Class 150	4 × ½"	-	-	-	-	4.4	6	-	-
		Class 300	4 × ½"	-	-	-	-	4.4	6	-	-
1"	25	Class 150	4 × ½"	-	-	5.2	7	8.1	11	7.4	10
		Class 300	4 × 5/8"	-	-	5.9	8	10	14	8.9	12
1½"	40	Class 150	4 × ½"	-	-	7.4	10	18	24	15	21
		Class 300	4 × ¾"	-	-	11	15	25	34	23	31
2"	50	Class 150	4 × 5/8"	26	35	16	22	35	47	32	44
		Class 300	8 × 5/8"	13	18	8.1	11	17	23	16	22
3"	80	Class 150	4 × 5/8"	44	60	32	43	58	79	49	67
		Class 300	8 × ¾"	28	38	19	26	35	47	31	42
4"	100	Class 150	8 × 5/8"	31	42	23	31	41	56	37	50
		Class 300	8 × ¾"	43	58	30	40	49	67	44	59
6"	150	Class 150	8 × ¾"	58	79	44	59	78	106	63	86
		Class 300	12 × ¾"	52	70	38	51	54	73	49	67
8"	200	Class 150	8 × ¾"	79	107	59	80	105	143	80	109
10"	250	Class 150	12 × 7/8"	75	101	55	75	100	135	-	-
12"	300	Class 150	12 × 7/8"	98	133	76	103	131	178	-	-
14"	350	Class 150	12 × 1"	100	135	117	158	192	260	-	-
16"	400	Class 150	16 × 1"	94	128	111	150	181	246	-	-
18"	450	Class 150	16 × 11/8"	150	204	173	234	274	371	-	-
20"	500	Class 150	20 × 11/8"	135	183	160	217	252	341	-	-
24"	600	Class 150	20 × 1¼"	198	268	226	307	352	477	-	-

Nennweite		Druckstufe	Schrauben	Max. Anziehdrehmoment							
				HR		PUR		PTFE		PFA	
Inch	mm			[lbf ft]	[Nm]	[lbf ft]	[Nm]	[lbf ft]	[Nm]	[lbf ft]	[Nm]
Promag L											
2"	50	Class 150	4 × 5/8"	-	-	11	15	-	-	-	-
3"	80	Class 150	4 × 5/8"	-	-	18	25	-	-	-	-

Nennweite		Druckstufe	Schrauben	Max. Anziehdrehmoment							
				HR		PUR		PTFE		PFA	
Inch	mm			[lbf ft]	[Nm]	[lbf ft]	[Nm]	[lbf ft]	[Nm]	[lbf ft]	[Nm]
Promag L											
4"	100	Class 150	8 × 5/8"	-	-	15	20	-	-	-	-
6"	150	Class 150	8 × ¾"	-	-	33	45	-	-	-	-
8"	200	Class 150	8 × ¾"	-	-	48	65	-	-	-	-
10"	250	Class 150	12 × 7/8"	-	-	41	55	-	-	-	-
12"	300	Class 150	12 × 7/8"	-	-	56	68	-	-	-	-

AWWA

Nennweite		Druckstufe	Schrauben	Max. Anziehdrehmoment			
				HR		PUR	
Inch	mm			[lbf ft]	[Nm]	[lbf ft]	[Nm]
28"	700	Class D	28 × 1¼"	182	247	215	292
30"	750	Class D	28 × 1¼"	212	287	223	302
32"	800	Class D	28 × 1½"	291	394	311	422
36"	900	Class D	32 × 1½"	309	419	317	430
40"	1000	Class D	36 × 1½"	310	420	352	477
42"	1050	Class D	36 × 1½"	389	528	382	518
48"	1200	Class D	44 × 1½"	407	552	392	531
54"	1350	Class D	44 × 1¾"	538	730	467	633
60"	1500	Class D	52 × 1¾"	559	758	614	832
66"	1650	Class D	52 × 1¾"	698	946	704	955
72"	1800	Class D	60 × 1¾"	719	975	802	1087
78"	2000	Class D	64 × 2"	629	853	580	786

7 Entsorgung



Gemäß der Richtlinie 2012/19/EG über Elektro- und Elektronik-Altgeräte (WEEE) ist das Produkt mit dem abgebildeten Symbol gekennzeichnet, um die Entsorgung von WEEE als unsortierten Hausmüll zu minimieren. Gekennzeichnete Produkte nicht als unsortierter Hausmüll entsorgen, sondern zu den gültigen Bedingungen an Endress+Hauser zurückgeben.



71496843

www.addresses.endress.com
