

# Safety Instructions

## **Cerabar M PMP51, PMP55**

4-20 mA HART, PROFIBUS PA, FOUNDATION Fieldbus

Ex d IIC T4/T6 Gb



Document: XA00515P-D

Safety instructions for electrical apparatus for explosion-hazardous areas →  3

---

# Cerabar M PMP51, PMP55

4-20 mA HART, PROFIBUS PA, FOUNDATION Fieldbus

## Table of contents

Associated documentation . . . . .	4
Supplementary documentation . . . . .	4
Manufacturer's certificates . . . . .	4
Manufacturer address . . . . .	4
Extended order code . . . . .	4
Safety instructions: General . . . . .	5
Safety instructions: Special conditions . . . . .	6
Safety instructions: Installation . . . . .	6
Temperature tables . . . . .	6
Connection data . . . . .	6

<b>Associated documentation</b>	<p>This document is an integral part of the following Operating Instructions:</p> <p>HART BA00382P/00</p> <p>PROFIBUS PA BA00383P/00</p> <p>FOUNDATION Fieldbus BA00384P/00</p>										
<b>Supplementary documentation</b>	<p>Explosion-protection brochure: CP00021Z/11</p> <p>The Explosion-protection brochure is available:</p> <ul style="list-style-type: none"> <li>■ In the download area of the Endress+Hauser website: <a href="http://www.endress.com">www.endress.com</a> -&gt; Downloads -&gt; Media Type: Documentation -&gt; Documentation Type: Brochures and catalogs -&gt; Text Search: CP00021Z</li> <li>■ On the CD for devices with CD-based documentation</li> </ul>										
<b>Manufacturer's certificates</b>	<p><b>NEPSI Declaration of Conformity</b></p> <p>Certificate number: GYJ19.1358X</p> <p>Affixing the certificate number certifies conformity with the following standards (depending on the device version):</p> <ul style="list-style-type: none"> <li>■ GB3836.1-2010</li> <li>■ GB3836.2-2010</li> </ul>										
<b>Manufacturer address</b>	<p>Endress+Hauser SE+Co. KG Hauptstraße 1 79689 Maulburg, Germany Address of the manufacturing plant: See nameplate.</p>										
<b>Extended order code</b>	<p>The extended order code is indicated on the nameplate, which is affixed to the device in such a way that it is clearly visible. Additional information about the nameplate is provided in the associated Operating Instructions.</p> <p><b>Structure of the extended order code</b></p> <table border="0" style="margin-left: 40px;"> <tr> <td style="text-align: center;">PMP5x</td> <td style="text-align: center;">-</td> <td style="text-align: center;">*****</td> <td style="text-align: center;">+</td> <td style="text-align: center;">A*B*C*D*E*F*G*..</td> </tr> <tr> <td style="text-align: center;"><i>(Device type)</i></td> <td></td> <td style="text-align: center;"><i>(Basic specifications)</i></td> <td></td> <td style="text-align: center;"><i>(Optional specifications)</i></td> </tr> </table> <p>* = Placeholder At this position, an option (number or letter) selected from the specification is displayed instead of the placeholders.</p> <p><i>Basic specifications</i></p> <p>The features that are absolutely essential for the device (mandatory features) are specified in the basic specifications. The number of positions depends on the number of features available. The selected option of a feature can consist of several positions.</p> <p><i>Optional specifications</i></p> <p>The optional specifications describe additional features for the device (optional features). The number of positions depends on the number of features available. The features have a 2-digit structure to aid identification (e.g. JA). The first digit (ID) stands for the feature group and consists</p>	PMP5x	-	*****	+	A*B*C*D*E*F*G*..	<i>(Device type)</i>		<i>(Basic specifications)</i>		<i>(Optional specifications)</i>
PMP5x	-	*****	+	A*B*C*D*E*F*G*..							
<i>(Device type)</i>		<i>(Basic specifications)</i>		<i>(Optional specifications)</i>							

of a number or a letter (e.g. J = Test, Certificate). The second digit constitutes the value that stands for the feature within the group (e.g. A = 3.1 material (wetted parts), inspection certificate).

More detailed information about the device is provided in the following tables. These tables describe the individual positions and IDs in the extended order code which are relevant to hazardous locations.

#### Extended order code: Cerabar M



The following specifications reproduce an extract from the product structure and are used to assign:

- This documentation to the device (using the extended order code on the nameplate).
- The device options cited in the document.

#### Device type

PMP51, PMP55

#### Basic specifications

Position 1, 2 (Approval)		
Selected option		Description
PMP5x	NB	NEPSI Ex d IIC T4/T6 Gb

Position 3 (Output)		
Selected option		Description
PMP5x	2	4-20 mA HART
	3	PROFIBUS PA
	4	FOUNDATION Fieldbus

#### Optional specifications

No options specific to hazardous locations are available.

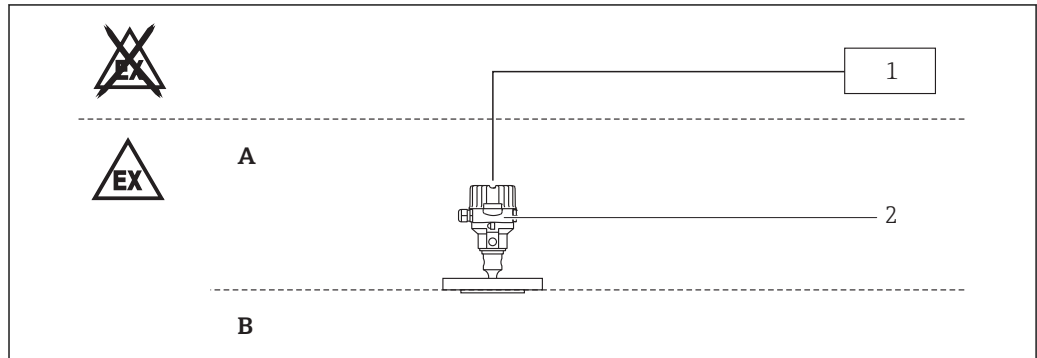
#### Safety instructions: General

- Comply with the installation and safety instructions in the Operating Instructions.
- Staff must meet the following conditions for mounting, electrical installation, commissioning and maintenance of the device:
  - Be suitably qualified for their role and the tasks they perform
  - Be trained in explosion protection
  - Be familiar with national regulations
- Install the device according to the manufacturer's instructions and national regulations.
- For installation, use and maintenance of the device, users must also observe the requirements stated in the Operating Instructions and the standards:
  - GB50257-2014: "Code for construction and acceptance of electric device for explosion atmospheres and fire hazard electrical equipment installation engineering".
  - GB3836.13-2013: "Explosive atmospheres, Part 13: Equipment repair, overhaul and reclamation".
  - GB/T 3836.15-2017: "Explosive atmospheres, Part 15: Electrical installations design, selection and erection".
  - GB/T 3836.16-2017: "Explosive atmospheres, Part 16: Electrical installations inspection and maintenance".
- Only use the device in media to which the wetted materials have sufficient durability.
- Avoid electrostatic charging:
  - Of plastic surfaces (e.g. housing, sensor element, special varnishing, attached additional plates, ..)
  - Of isolated capacities (e.g. isolated metallic plates)

**Safety instructions:  
Special conditions**

- For light metal flanges or flange faces (e.g. titanium, zirconium), avoid sparks caused by impact and friction.
- In the event of additional or alternative special varnishing on the housing or other metal parts:
  - Observe the danger of electrostatic charging and discharge.
  - Do not rub surfaces with a dry cloth.

**Safety instructions:  
Installation**



- A Zone 1, Electronic
- B Zone 1, Process
- 1 Power supply U
- 2 PMP51, PMP55

- In potentially explosive atmospheres: Do not open the connection compartment cover and the electronics compartment cover when energized.
- Before operation:
  - Screw in the cover all the way.
  - Tighten the securing clamp on the cover.
- Connect the device:
  - Using suitable cable and wire entries of protection type "Flameproof Enclosure (Ex d)".
  - Using piping systems of protection type "Flameproof Enclosure (Ex d)".
- When connecting through a conduit entry approved for this purpose, mount the associated sealing unit directly at the housing.
- For ambient temperatures higher than +70 °C, use suitable heat resisting cables or wires.
- Seal unused entry glands with supplied metal blind plug. Alternative use only suitable, separate approved Ex d blanking elements.
- The plastic sealing plug is used only as transport protection.

**Temperature tables**

Temperature class	Process temperature T <sub>p</sub> (process)	Ambient temperature T <sub>a</sub> (ambient): housing
T6	≤ 80 °C	-40 °C ≤ T <sub>a</sub> ≤ +75 °C
T4	≤ 120 °C	

- i** Do not exceed the max. ambient temperature at the housing.
  - Device type PMP51*  
The process temperatures refer to the temperature at the separation membrane.
  - Device type PMP55*  
Higher temperatures are permitted depending on the type of diaphragm seal.

**Connection data**

Basic specification, Position 3 (Output) = 2

Power supply
U ≤ 45 V <sub>DC</sub> P ≤ 1.1 W

*Basic specification, Position 3 (Output) = 3, 4*

<b>Power supply</b>
U ≤ 32 V <sub>DC</sub> P ≤ 1.25 W



71460205

[www.addresses.endress.com](http://www.addresses.endress.com)

---