

# Safety Instructions


## **Cerabar S PMP71, PMP75**

4-20 mA HART, PROFIBUS PA, FOUNDATION Fieldbus

EAC: 1Ex db IIC T6...T4 Gb  
1Ex db IIC T6...T1 Gb



Document: XA01397P-C

Safety instructions for electrical apparatus for explosion-hazardous areas →  3

---

# Cerabar S PMP71, PMP75

4-20 mA HART, PROFIBUS PA, FOUNDATION Fieldbus

## Table of contents

Associated documentation . . . . .	4
Supplementary documentation . . . . .	4
Manufacturer's certificates . . . . .	4
Manufacturer address . . . . .	4
Extended order code . . . . .	4
Safety instructions: General . . . . .	6
Safety instructions: Special conditions . . . . .	6
Safety instructions: Installation . . . . .	6
Safety instructions: Ex d joints . . . . .	7
Temperature tables . . . . .	7
Connection data . . . . .	8

<b>Associated documentation</b>	<p>This document is an integral part of the following Operating Instructions:</p> <p>HART</p> <ul style="list-style-type: none"> <li>■ BA00271P/00</li> <li>■ BA00274P/00</li> </ul> <p>PROFIBUS PA</p> <ul style="list-style-type: none"> <li>■ BA00295P/00</li> <li>■ BA00296P/00</li> </ul> <p>FOUNDATION Fieldbus</p> <ul style="list-style-type: none"> <li>■ BA00302P/00</li> <li>■ BA00303P/00</li> </ul>										
<b>Supplementary documentation</b>	<p>Explosion-protection brochure: CP00021Z/11</p> <p>The Explosion-protection brochure is available:</p> <ul style="list-style-type: none"> <li>■ In the download area of the Endress+Hauser website:  <a href="http://www.endress.com">www.endress.com</a> -&gt; Downloads -&gt; Media Type: Documentation -&gt;  Documentation Type: Brochures and catalogs -&gt; Text Search: CP00021Z</li> <li>■ On the CD for devices with CD-based documentation</li> </ul>										
<b>Manufacturer's certificates</b>	<p><b>Certificate of Conformity TP TC 012/2011</b></p> <p>Inspection authority: LLC NANIO CCVE (ООО «НАНИО ЦСВЭ»)</p> <p>Certificate number: TC RU C-DE.AA87.B.01064</p> <p>Affixing the certificate number certifies conformity with the following standards (depending on the device version):</p> <ul style="list-style-type: none"> <li>■ GOST IEC 60079-1-2013</li> <li>■ GOST 31610.0-2014 (IEC 60079-0:2011)</li> </ul>										
<b>Manufacturer address</b>	<p>Endress+Hauser SE+Co. KG Hauptstraße 1 79689 Maulburg, Germany Address of the manufacturing plant: See nameplate.</p>										
<b>Extended order code</b>	<p>The extended order code is indicated on the nameplate, which is affixed to the device in such a way that it is clearly visible. Additional information about the nameplate is provided in the associated Operating Instructions.</p> <p><b>Structure of the extended order code</b></p> <table border="0" style="margin-left: 40px;"> <tr> <td style="text-align: center;">PMP7x</td> <td style="text-align: center;">–</td> <td style="text-align: center;">*****</td> <td style="text-align: center;">+</td> <td style="text-align: center;">A*B*C*D*E*F*G*..</td> </tr> <tr> <td style="text-align: center;"><i>(Device type)</i></td> <td></td> <td style="text-align: center;"><i>(Basic specifications)</i></td> <td></td> <td style="text-align: center;"><i>(Optional specifications)</i></td> </tr> </table> <p>* = Placeholder At this position, an option (number or letter) selected from the specification is displayed instead of the placeholders.</p> <p><i>Basic specifications</i></p> <p>The features that are absolutely essential for the device (mandatory features) are specified in the basic specifications. The number of positions depends on the number of features available. The selected option of a feature can consist of several positions.</p>	PMP7x	–	*****	+	A*B*C*D*E*F*G*..	<i>(Device type)</i>		<i>(Basic specifications)</i>		<i>(Optional specifications)</i>
PMP7x	–	*****	+	A*B*C*D*E*F*G*..							
<i>(Device type)</i>		<i>(Basic specifications)</i>		<i>(Optional specifications)</i>							

*Optional specifications*

The optional specifications describe additional features for the device (optional features). The number of positions depends on the number of features available. The features have a 2-digit structure to aid identification (e.g. JA). The first digit (ID) stands for the feature group and consists of a number or a letter (e.g. J = Test, Certificate). The second digit constitutes the value that stands for the feature within the group (e.g. A = 3.1 material (wetted parts), inspection certificate).

More detailed information about the device is provided in the following tables. These tables describe the individual positions and IDs in the extended order code which are relevant to hazardous locations.

**Extended order code: Cerabar S**

The following specifications reproduce an extract from the product structure and are used to assign:

- This documentation to the device (using the extended order code on the nameplate).
- The device options cited in the document.

*Device type*

PMP71, PMP75

*Basic specifications*

Position 1 (Approval)		
Selected option		Description
PMP71	5	ATEX II 2 G Ex db IIC T6...T4 Gb
PMP75	5	ATEX II 2 G Ex db IIC T6...T1 Gb

Position 2 (Output, Operating)		
Selected option		Description
PMP7x	A, B, C	4-20 mA HART
	D, E, F	4-20 mA HART, L <sub>1</sub> = 0
	M, N, O	PROFIBUS PA
	P, Q, R	FOUNDATION Fieldbus

Position 3 (Housing; Cover Sealing; Cable Entry)		
Selected option		Description
PMP7x	A, G, 1, 7	T14 IP66/67 NEMA6P; M20
	B, 2	T14 IP66/67 NEMA6P; G1/2
	C, H, 3, 8	T14 IP66/67 NEMA6P; NPT1/2

*Optional specifications*

ID Jx (Test, Certificate)		
Selected option		Description
PMP7x	JN	Ambient temperature transmitter -50 °C/-58 °F
	JT	Ambient temperature transmitter -60 °C/-76 °F

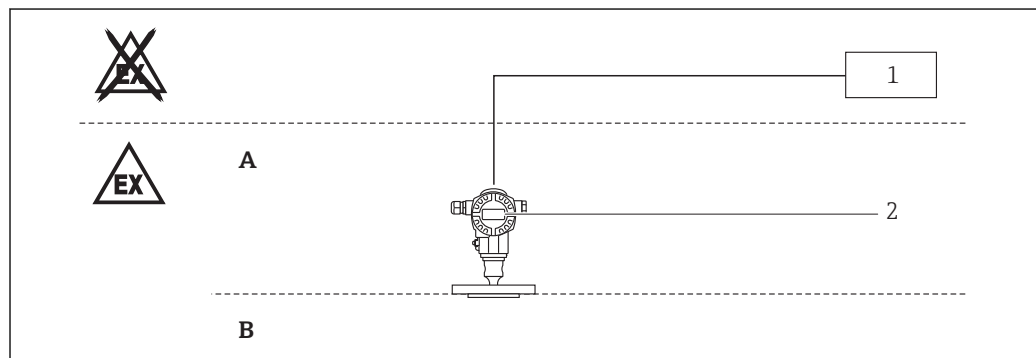
ID Lx (Additional Approval)		
Selected option		Description
PMP7x	L8	EAC marking

**Safety instructions: General**

- Comply with the installation and safety instructions in the Operating Instructions.
- Staff must meet the following conditions for mounting, electrical installation, commissioning and maintenance of the device:
  - Be suitably qualified for their role and the tasks they perform
  - Be trained in explosion protection
  - Be familiar with national regulations
- Install the device according to the manufacturer's instructions and national regulations.
- Only use the device in media to which the wetted materials have sufficient durability.
- Avoid electrostatic charging:
  - Of plastic surfaces (e.g. housing, sensor element, special varnishing, attached additional plates, ..)
  - Of isolated capacities (e.g. isolated metallic plates)

**Safety instructions: Special conditions**

- In the case of process connections made of polymeric material or with polymeric coatings, avoid electrostatic charging of the plastic surfaces.
- For light metal flanges or flange faces (e.g. titanium, zirconium), avoid sparks caused by impact and friction.
- In the event of additional or alternative special varnishing on the housing or other metal parts:
  - Observe the danger of electrostatic charging and discharge.
  - Do not rub surfaces with a dry cloth.

**Safety instructions: Installation**

- A Zone 1, Electronic  
 B Zone 1, Process  
 1 Power supply  
 2 PMP71, PMP75

- After aligning (rotating) the housing, retighten the fixing screw.
- In potentially explosive atmospheres: Do not open the connection compartment cover and the electronics compartment cover when energized.
- Before operation:
  - Screw in the cover all the way.
  - Tighten the securing clamp on the cover.
- Connect the device:
  - Using suitable cable and wire entries of protection type "Flameproof Enclosure (Ex d)".
  - Using piping systems of protection type "Flameproof Enclosure (Ex d)".
- When connecting through a conduit entry approved for this purpose, mount the associated sealing unit directly at the housing.
- For ambient temperatures higher than +70 °C, use suitable heat resisting cables or wires.

- Seal unused entry glands with approved sealing plugs that correspond to the type of protection. The plastic transport sealing plug does not meet this requirement and must therefore be replaced during installation.
- Only use certified cable entries or sealing plugs. The metal sealing plugs supplied meet this requirement.
- Only use genuine spare parts from Endress+Hauser which are specified for the device.

*Basic specification, Position 3 (Housing; Cover Sealing; Cable Entry) = B, 2*

Flameproof equipment with G threaded entry holes is not intended for new installations but only for replacement of equipment in existing installations. Application of this equipment shall comply with the local installation requirements.

**Safety instructions:**  
**Ex d joints**

If required or if in doubt: ask manufacturer for specifications.

**Temperature tables**

*Device type PMP71*

Type of protection:  
EAC: 1Ex db IIC T6...T4 Gb

Option: Process Connection	Temperature class	Process temperature T <sub>p</sub> (process)	Ambient temperature T <sub>a</sub> (ambient)
all	T6	-40 °C ≤ T <sub>p</sub> ≤ +75 °C	-40 °C ≤ T <sub>a</sub> ≤ +75 °C
with flush mount process isolating diaphragm	T4	-40 °C ≤ T <sub>p</sub> ≤ +100 °C	-40 °C ≤ T <sub>a</sub> ≤ +75 °C
with internal process isolating diaphragm		-40 °C ≤ T <sub>p</sub> ≤ +125 °C	-40 °C ≤ T <sub>a</sub> ≤ +75 °C

 The process temperatures refer to the temperature at the separation membrane.


*Device type PMP75*

Type of protection:  
EAC: 1Ex db IIC T6...T1 Gb

Option: Process Connection	Temperature class	Process temperature T <sub>p</sub> (process)	Ambient temperature T <sub>a</sub> (ambient)
all	T6	-40 °C ≤ T <sub>p</sub> ≤ +75 °C	-40 °C ≤ T <sub>a</sub> ≤ +75 °C
	T4	-40 °C ≤ T <sub>p</sub> ≤ +125 °C	-40 °C ≤ T <sub>a</sub> ≤ +75 °C

Option: Transmitter Mounting	Temperature class	Process temperature T <sub>p</sub> (process)	Ambient temperature T <sub>a</sub> (ambient)
with temperature isolator	T3	-40 °C ≤ T <sub>p</sub> ≤ +185 °C <sup>1)</sup>	-40 °C ≤ T <sub>a</sub> ≤ +75 °C
	T2	-40 °C ≤ T <sub>p</sub> ≤ +285 °C <sup>1)</sup>	-40 °C ≤ T <sub>a</sub> ≤ +75 °C
	T1	-40 °C ≤ T <sub>p</sub> ≤ +400 °C <sup>1)</sup>	-40 °C ≤ T <sub>a</sub> ≤ +75 °C

1) Depending on the selected version; see Operating Instructions

-  The specified ambient and process temperature ranges exclusively refer to the explosion protection and must not be exceeded. Operationally permitted ambient temperature ranges can be restricted depending on the version: See Operating Instructions.
- Do not exceed the max. ambient temperature at the housing.

*Optional specification, ID Jx (Test, Certificate) = JN*

Lower limit of the ambient temperature for explosion protection changes to  $-50\text{ }^{\circ}\text{C}$ .

*Optional specification, ID Jx (Test, Certificate) = JT*

Lower limit of the ambient temperature for explosion protection changes to  $-60\text{ }^{\circ}\text{C}$ .

#### Connection data

*Basic specification, Position 2 (Output, Operating) = A, B, C, D, E, F*

Power supply
$U \leq 45\text{ V}_{\text{DC}}$ $P \leq 3\text{ W}$

*Basic specification, Position 2 (Output, Operating) = M, N, O, P, Q, R*

Power supply
$U \leq 32\text{ V}_{\text{DC}}$ $P \leq 3\text{ W}$



---

---

---



[www.addresses.endress.com](http://www.addresses.endress.com)

---