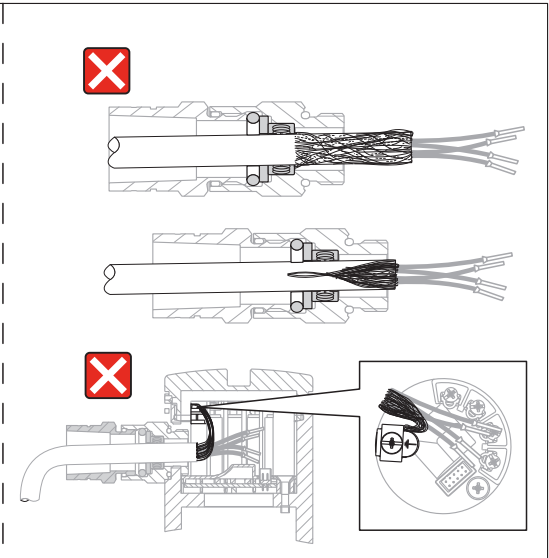
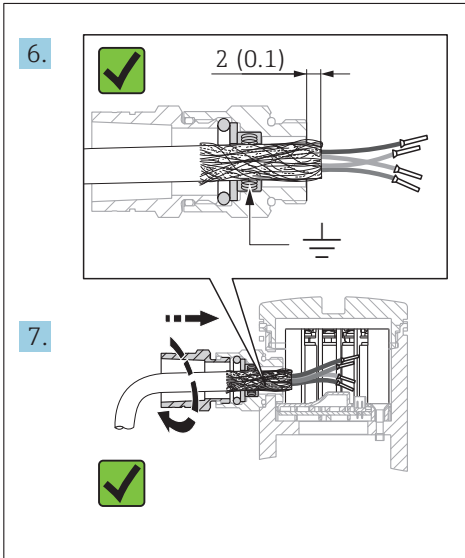
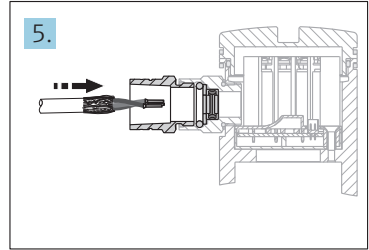
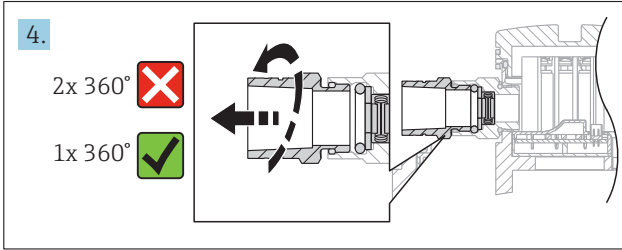
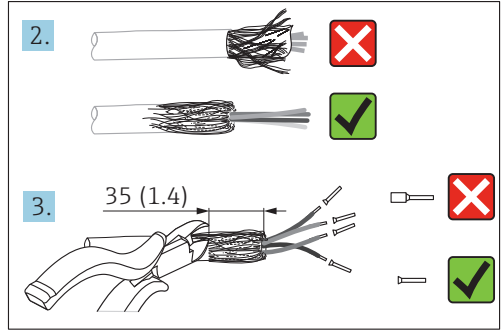
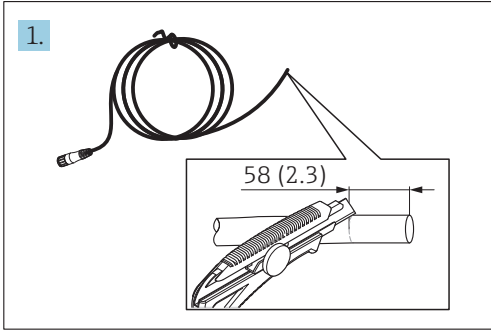


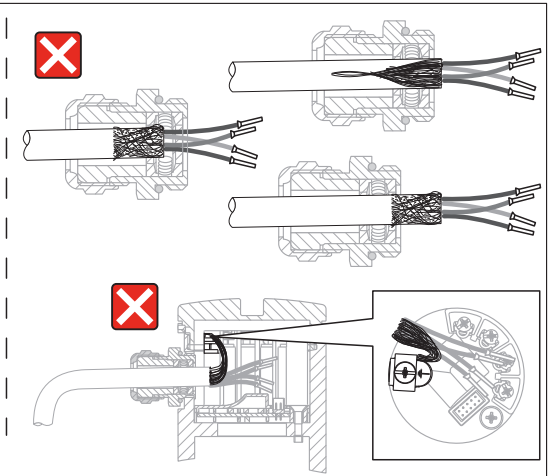
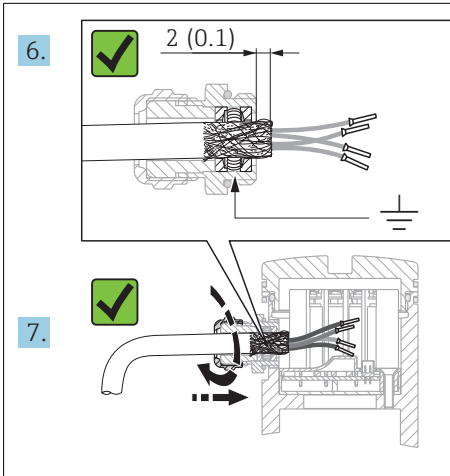
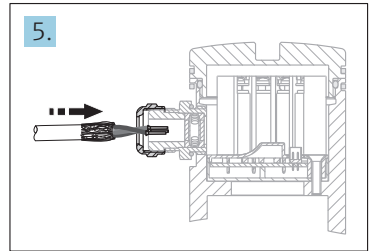
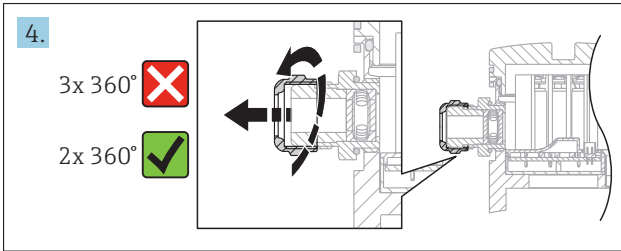
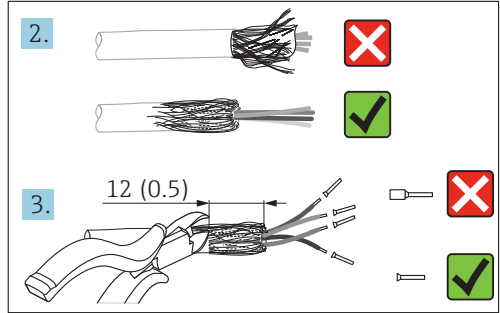
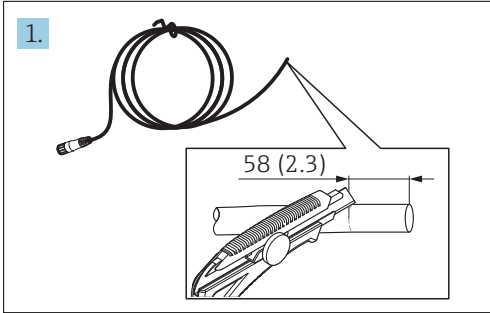
# Deltabar FMD71, FMD72

Gewinde NPT 1/2 / Thread NPT 1/2  
mm (in)



# Kabelverschraubung M20 / Gland M20

mm (in)



71375841

[www.addresses.endress.com](http://www.addresses.endress.com)

Endress+Hauser 

People for Process Automation