

Safety Instructions

Prosonic M

FMU40, FMU41, FMU42, FMU44

4-20 mA HART, PROFIBUS PA,
FOUNDATION Fieldbus

ATEX, IECEx: Ex db [ia] IIC T6...T4 Ga/Gb
Ex db [ia] IIC Gb



Prosonic M

FMU40, FMU41, FMU42, FMU44

4-20 mA HART, PROFIBUS PA, FOUNDATION Fieldbus

Table of contents

About this document	4
Associated documentation	4
Supplementary documentation	4
Manufacturer's certificates	4
Manufacturer address	5
Other standards	5
Extended order code	5
Safety instructions: General	7
Safety instructions: Special conditions	8
Safety instructions: Installation	8
Safety instructions: Ex d joints	9
Temperature tables	9
Connection data	9

About this document



This document has been translated into several languages. Legally determined is solely the English source text.

The document translated into EU languages is available:

- In the download area of the Endress+Hauser website:
www.endress.com -> Downloads -> Manuals and Datasheets ->
 Type: Ex Safety Instruction (XA) -> Text Search: ...
- In the Device Viewer: www.endress.com -> Product tools ->
 Access device specific information -> Check device features



If not yet available, the document can be ordered.

Associated documentation

This document is an integral part of the following Operating Instructions:

HART:

BA00237F/00

PROFIBUS PA:

BA00238F/00

FOUNDATION Fieldbus:

BA00239F/00

Supplementary documentation

Explosion-protection brochure: CP00021Z/11

The Explosion-protection brochure is available:

- In the download area of the Endress+Hauser website:
www.endress.com -> Downloads -> Brochures and Catalogs ->
 Text Search: CP00021Z
- On the CD for devices with CD-based documentation

Manufacturer's certificates

EU Declaration of Conformity

Declaration Number:

EG02007

The EU Declaration of Conformity is available:

In the download area of the Endress+Hauser website:

www.endress.com -> Downloads -> Declaration ->

Type: EU Declaration -> Product Code: ...

EU type-examination certificate

Certificate number:

KEMA 02ATEX1006 X

List of applied standards: See EU Declaration of Conformity.

IEC Declaration of Conformity

Certificate number:
IECEX DEK 11.0014X

Affixing the certificate number certifies conformity with the following standards (depending on the device version):

- IEC 60079-0 : 2017
- IEC 60079-1 : 2014
- IEC 60529 : 2013

Manufacturer address

Endress+Hauser SE+Co. KG
Hauptstraße 1
79689 Maulburg, Germany

Address of the manufacturing plant: See nameplate.

Other standards

Among other things, the following standards shall be observed in their current version for proper installation:

- IEC/EN 60079-14: "Explosive atmospheres - Part 14: Electrical installations design, selection and erection"
- EN 1127-1: "Explosive atmospheres - Explosion prevention and protection - Part 1: Basic concepts and methodology"

Extended order code

The extended order code is indicated on the nameplate, which is affixed to the device in such a way that it is clearly visible. Additional information about the nameplate is provided in the associated Operating Instructions.

Structure of the extended order code

FMU4x	-	*****	+	A*B*C*D*E*F*G*..
<i>(Device type)</i>		<i>(Basic specifications)</i>		<i>(Optional specifications)</i>

* = Placeholder

At this position, an option (number or letter) selected from the specification is displayed instead of the placeholders.

Basic specifications

The features that are absolutely essential for the device (mandatory features) are specified in the basic specifications. The number of positions depends on the number of features available. The selected option of a feature can consist of several positions.

Optional specifications

The optional specifications describe additional features for the device (optional features). The number of positions depends on the number of features available. The features have a 2-digit structure to aid identification (e.g. JA). The first digit (ID) stands for the feature group and consists of a number or a letter (e.g. J = Test, Certificate). The second digit constitutes the value that stands for the feature within the group (e.g. A = 3.1 material (wetted parts), inspection certificate).

More detailed information about the device is provided in the following tables. These tables describe the individual positions and IDs in the extended order code which are relevant to hazardous locations.

Extended order code: Prosonic M



The following specifications reproduce an extract from the product structure and are used to assign:

- This documentation to the device (using the extended order code on the nameplate).
- The device options cited in the document.

Device type

FMU40, FMU41, FMU42, FMU44

Basic specifications

Position 1 (Approval)		
Selected option		Description
FMU4x	4	ATEX II 1/2 G Ex db [ia] IIC T6...T4 Ga/Gb ATEX II 2 G Ex db [ia] IIC T6...T4 Gb
	D	IECEX Ex db [ia] IIC T6...T4 Ga/Gb IECEX Ex db [ia] IIC T6...T4 Gb

Position 3 (Power Supply, Output)		
Selected option		Description
FMU4x	B, J, P	2-wire; 4-20 mA HART
	D, K, Q	2-wire; PROFIBUS PA
	F, L, R	2-wire; FOUNDATION Fieldbus

Position 4 (Operation)		
Selected option		Description
FMU4x	1	W/o display, via communication
	2	4-line display VU331, Envelope curve display on site
	3	Prepared for FHX40, remote display (accessory)

Position 5 (Housing)		
Selected option		Description
FMU4x	C	T12 Alu, coated, IP68 NEMA6P, separate conn. compartment

Optional specifications

No options specific to hazardous locations are available.

Safety instructions: General

- The device is intended to be used in explosive atmospheres as defined in the scope of IEC 60079-0 or equivalent national standards. If no potentially explosive atmospheres are present or if additional protective measures have been taken: The device may be operated according to the manufacturer's specifications.
- Staff must meet the following conditions for mounting, electrical installation, commissioning and maintenance of the device:
 - Be suitably qualified for their role and the tasks they perform
 - Be trained in explosion protection
 - Be familiar with national regulations
- Install the device according to the manufacturer's instructions and national regulations.
- Avoid electrostatic charging:
 - Of plastic surfaces (e.g. enclosure, sensor element, special varnishing, attached additional plates, ..)
 - Of isolated capacities (e.g. isolated metallic plates)
- Refer to the temperature tables for the relationship between the permitted ambient temperature for the electronics enclosure, depending on the range of application and the temperature class.

Safety instructions:

Special conditions

Permitted ambient temperature range at the electronics enclosure:
 $-40\text{ °C} \leq T_a \leq +60\text{ °C}$

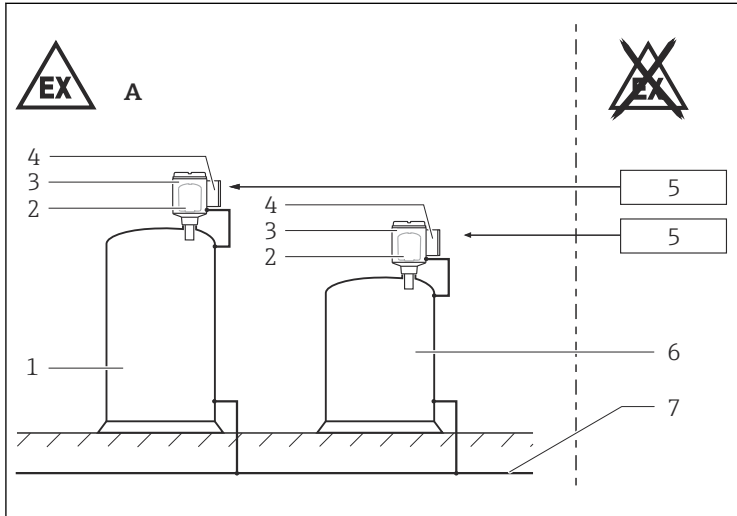
- Observe the information in the temperature tables.
- To avoid electrostatic charging: Do not rub surfaces with a dry cloth.
- In the event of additional or alternative special varnishing on the enclosure or other metal parts or for adhesive plates:
 - Observe the danger of electrostatic charging and discharge.
 - Do not install in the vicinity of processes ($\leq 0.5\text{ m}$) generating strong electrostatic charges.

Device type FMU42, FMU44

Avoid electrostatic charging of the sensor (e.g. do not rub dry and install outside the filling flow).

Safety instructions:

Installation



A0035792



- 1 Zone 1
- 1 Tank, hazardous area Zone 0
- 2 Electronic insert
- 3 Enclosure
- 4 Connection compartment (Ex db)
- 5 Power supply
- 6 Tank, hazardous area Zone 1
- 7 Local potential equalization

- In potentially explosive atmospheres:
 - Do not disconnect the electrical connection of the power supply circuit when energized.
 - Do not open the connection compartment cover when energized.
- Only use certified cable entries suitable for the application. Observe national regulations and standards.
- When operating the transmitter enclosure at an ambient temperature under $-20\text{ }^{\circ}\text{C}$, use appropriate cables and cable entries permitted for this application.
- Continuous service temperature of the connecting cable: $\geq T_a + 5\text{ K}$.
- When connecting through a conduit entry approved for this purpose, mount the associated sealing unit directly at the enclosure.
- Seal unused entry glands with approved Ex db sealing plugs.
- Option:
 - Remote display, e.g. FHX40 (Observe Safety Instructions)
 - Service interface: Commubox with associated ToF cable (Observe Safety Instructions)

Potential equalization

Integrate the device into the local potential equalization.

Safety instructions: Ex d joints

- If required or if in doubt: ask manufacturer for specifications.
- Flameproof joints are not intended to be repaired.

Temperature tables

Zone 1 - Application



Observe the permitted temperature range.

Temperature class	Ambient temperature T_a (ambient)	Process temperature T_p (process)
T6, T5, T4	-40 to $+60\text{ }^{\circ}\text{C}$	max. $80\text{ }^{\circ}\text{C}$

Connection data

Connection compartment Ex db

Power supply	
<i>Basic specification, Position 3 =</i>	
<i>B, J, P</i>	<i>D, K, Q, F, L, R</i>
$U_e = 30\text{ V}_{DC}$ $U_m \leq 250\text{ V}_{AC}$	$U_e = 32\text{ V}_{DC}$ $U_m \leq 250\text{ V}_{AC}$

Option

Remote display, e.g. FHX40:

Power supply and signal circuit with protection type: intrinsic safety

Ex ia IIC, Ex ia IIB.

Power supply
$U_o = 4.2 \text{ V}$ $I_o = 34 \text{ mA}$ $P_o = 36 \text{ mW}$ effective inner inductance $L_i = \text{negligible}$ effective inner capacitance $C_i = \text{negligible}$ Characteristic curve: linear

Connecting the Commubox service interface with the associated ToF cable

Commubox output + ToF cable						
$U_o = 3.74 \text{ V}$ $I_o = 9.9 \text{ mA}$ $P_o = 9.2 \text{ mW}$ effective inner inductance $L_i = \text{negligible}$ effective inner capacitance $C_i = \text{negligible}$ Characteristic curve: linear						
For material group IIC: <ul style="list-style-type: none"> ■ permitted outer inductance $L_o \leq 340 \text{ mH}$ ■ permitted outer capacitance $C_o \leq 100 \text{ }\mu\text{F}$ 						
When interconnected to a Prosonic M, the following results apply:						
	$L_o =$	0.15 mH	0.5 mH	1 mH	2 mH	5 mH
for material group IIC	$C_o =$	$\leq 8 \text{ }\mu\text{F}$	$\leq 7 \text{ }\mu\text{F}$	$\leq 5.5 \text{ }\mu\text{F}$	$\leq 5 \text{ }\mu\text{F}$	$\leq 4 \text{ }\mu\text{F}$
for material group IIB	$C_o =$	10 μF				



71557904

www.addresses.endress.com
