

Safety Instructions

Prothermo NMT81

4-20 mA HART
Control Drawing IS



Prothermo NMT81

Table of contents

Associated documentation	4
Supplementary documentation	4
Manufacturer's certificates	4
Manufacturer address	4
Extended order code	4
Safety instructions: General	6
Safety instructions: Special conditions	6
Safety instructions: Installation	7
Temperature tables	8
Connection data	8
Intrinsic safety	9
Others	10

Associated documentation	<p>This document is an integral part of the following Operating Instructions: BA02038G</p>										
Supplementary documentation	<p>Explosion-protection brochure: CP00021Z/11</p> <p>The Explosion-protection brochure is available:</p> <ul style="list-style-type: none"> ■ In the download area of the Endress+Hauser website: www.endress.com -> Downloads -> Media Type: Documentation -> Documentation Type: Brochures and catalogs -> Text Search: CP00021Z ■ On the CD for devices with CD-based documentation 										
Manufacturer's certificates	<p>CSA C/US certificate</p> <p>Certificate number: CSA22CA80107108X</p>										
Manufacturer address	<p>Endress+Hauser Yamanashi Co., Ltd. 406-0846 862-1 Mitsukunugi, Sakaigawa-cho, Fuefuki-shi, Yamanashi</p>										
Extended order code	<p>The extended order code is indicated on the nameplate, which is affixed to the device in such a way that it is clearly visible. Additional information about the nameplate is provided in the associated Operating Instructions.</p> <p>Structure of the extended order code</p> <table border="0" style="margin-left: 40px;"> <tr> <td style="text-align: center;">NMT81</td> <td style="text-align: center;">-</td> <td style="text-align: center;">*****</td> <td style="text-align: center;">+</td> <td style="text-align: center;">A*B*C*D*E*F*G*..</td> </tr> <tr> <td style="text-align: center;"><i>(Device type)</i></td> <td></td> <td style="text-align: center;"><i>(Basic specifications)</i></td> <td></td> <td style="text-align: center;"><i>(Optional specifications)</i></td> </tr> </table> <p>* = Placeholder At this position, an option (number or letter) selected from the specification is displayed instead of the placeholders.</p> <p><i>Basic specifications</i></p> <p>The features that are absolutely essential for the device (mandatory features) are specified in the basic specifications. The number of positions depends on the number of features available. The selected option of a feature can consist of several positions.</p> <p><i>Optional specifications</i></p> <p>The optional specifications describe additional features for the device (optional features). The number of positions depends on the number of features available. The features have a 2-digit structure to aid identification (e.g. JA). The first digit (ID) stands for the feature group and consists of a number or a letter (e.g. J = Test, Certificate). The second digit constitutes the value that stands for the feature within the group (e.g. A = 3.1 material (wetted parts), inspection certificate).</p> <p>More detailed information about the device is provided in the following tables. These tables describe the individual positions and IDs in the extended order code which are relevant to hazardous locations.</p>	NMT81	-	*****	+	A*B*C*D*E*F*G*..	<i>(Device type)</i>		<i>(Basic specifications)</i>		<i>(Optional specifications)</i>
NMT81	-	*****	+	A*B*C*D*E*F*G*..							
<i>(Device type)</i>		<i>(Basic specifications)</i>		<i>(Optional specifications)</i>							

Extended order code: Prothermo

The following specifications reproduce an extract from the product structure and are used to assign:

- This documentation to the device (using the extended order code on the nameplate).
- The device options cited in the document.

Device type

NMT81

Basic specifications

Position 1, 2 (Approval)		
Selected option		Description
NMT81	CB	CSA C/US IS Cl.I Div.1 Gr.A-D, Cl.I zone 0, AEx/Ex ia IIC Ga
	CH	CSA C/US IS Cl.I Div 1 Gr.A-D Cl.I zone 1, AEx/Ex ia IIC Gb
	CJ	CSA C/US IS Cl.II Div.1 Gr.C-D, Cl.I zone 0, AEx/Ex ia IIB Ga

Position 6 (Housing ; Material)		
Selected option		Description
NMT81	M	Dual compartment L-shape; Alu, coated

Position 7 (Electrical Connection)		
Selected option		Description
NMT81	F	Thread M20, IP66/68 Type 4X/6P
	G	Thread G1/2, IP66/68 Type 4X/6P
	H	Thread NPT1/2, IP66/68 Type 4X/6P

Position 8 (Application temperature)		
Selected option		Description
NMT81	A	Converter, not selected
	F	Process max -40 to 75 °C (-40 to 167 °F)
	G	Process max -55 to 235 °C (-67 to 455 °F)
	H	Process max -196 to 100 °C (-320.8 to 212 °F)

Position 19, 20 (Water bottom length)		
Selected option		Description
NMT81	00	W/o
	05	500 mm (19.69 in)
	10	1 000 mm (39.37 in)
	20	2 000 mm (78.74 in)

Safety instructions: General

- Comply with the installation and safety instructions in the Operating Instructions.
- Staff must meet the following conditions for mounting, electrical installation, commissioning and maintenance of the device:
 - Be suitably qualified for their role and the tasks they perform
 - Be trained in explosion protection
 - Be familiar with national regulations
- Install the device according to the manufacturer's instructions and national regulations.
- Do not operate the device outside the specified electrical, thermal and mechanical parameters.
- Only use the device in media to which the wetted materials have sufficient durability.
- Avoid electrostatic charging:
 - Of plastic surfaces (e.g. housing, sensor element, special varnishing, attached additional plates, ..)
 - Of isolated capacities (e.g. isolated metallic plates)
- Refer to the temperature tables for the relationship between the permitted ambient temperature for the sensor and/or transmitter, depending on the range of application and the temperature class.
- Modifications to the device can affect the explosion protection and must be carried out by staff authorized to perform such work by Endress+Hauser.

**Safety instructions:
Special conditions**

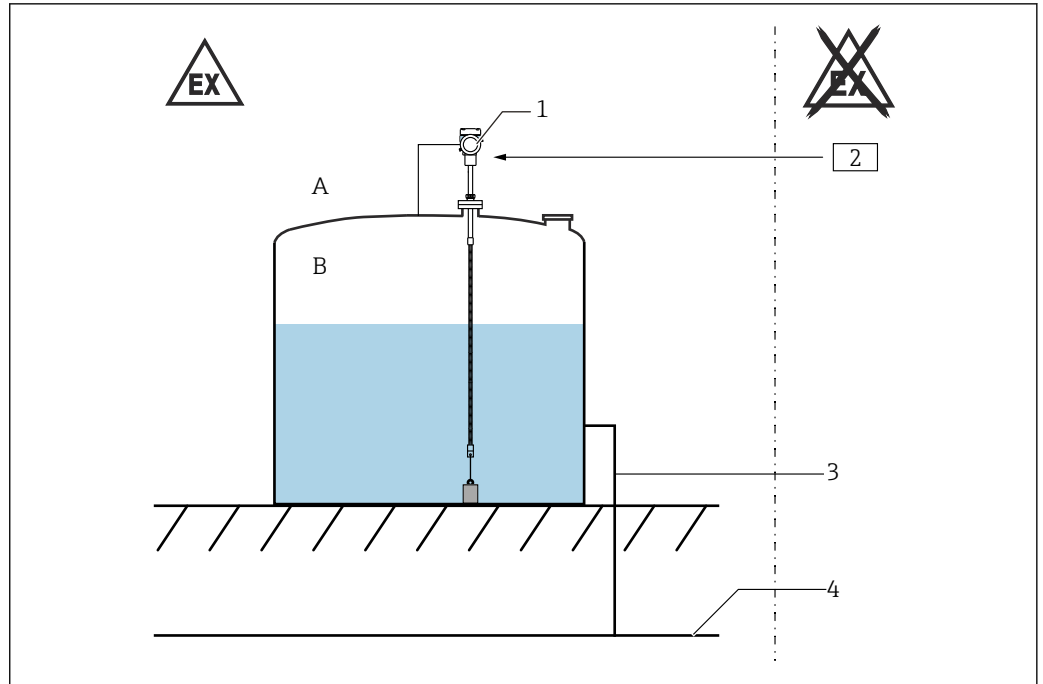
Permitted ambient temperature range at the electronics housing:

$-40\text{ °C} \leq T_a \leq +60\text{ °C}$

Observe the information in the temperature table on page →  8

- Use supply wires suitable for 20 K above the ambient temperature.
- In the event of additional or alternative special varnishing on the housing or other metal parts:
 - Observe the danger of electrostatic charging and discharge.
 - Do not rub surfaces with a dry cloth.
 - Do not install in the vicinity of processes generating strong electrostatic charges.
- The apparatus is not capable of withstanding the 500V insulation test required by Clause 6.3.13 of EN 60079-11:2012/ IEC60079-11:2012. This must be taken into account when installing the equipment.
- For ordinary locations to be supplied by a Class 2 or Limited Energy Source in accordance with CSA 61010-1-12/UL 61010-1.

**Safety instructions:
Installation**



A0042768

- A Zone 1
- B Tank; Zone 0
- 1 Prothermo NMT81
- 2 Power supply
- 3 Potential equalization line
- 4 Potential equalization

- Install the device to exclude any mechanical damage or friction during the application. Pay particular attention to flow conditions and tank fittings.
- Pay particular attention to the following points to prevent leakage of gas or vapor.
 - Connection of equipment and tank connection flange.
 - When opening the cover and reclosing it.
 - If the O-ring is deteriorated or deformed, replace it with a new O-ring.
- Continuous operating temperature of external wiring cable: See → 7
- In potentially explosive atmospheres:
 - Do not disconnect the electrical connection of the power supply circuit when energized.
 - Do not open the connection compartment cover.

Potential equalization

Integrate the device into the local potential equalization.

Measure of low or high temperature liquid

- The process temperature shall not bring the enclosure of the electronics compartment beyond the specified ambient temperature range limits.
- When installing high or low temperature storage tank, heat or cold from the liquid, the vapor or tank wall should not be conducted to the NMT81 directly.
- Cover the tank with a thermal isolation material and/or install an ambient temperature adjustment pipe between NMT81 and nozzle of the tank.

Temperature tables

The ambient temperature and the process temperature are specified as below table.

T-Class	Temperature specification	T ambient	T process ¹⁾	
			Temperature only	Temperature + WB
T6	Standard	$-40\text{ °C} \leq T_a \leq 60\text{ °C}$	$-40\text{ °C} \leq T_p \leq 75\text{ °C}$	$-40\text{ °C} \leq T_p \leq 70\text{ °C}$
	Low temperature		$-196\text{ °C} \leq T_p \leq 75\text{ °C}$	-
T4...T2	Standard	$-40\text{ °C} \leq T_a \leq 70\text{ °C}$	$-40\text{ °C} \leq T_p \leq 75\text{ °C}$	$-40\text{ °C} \leq T_p \leq 75\text{ °C}$
	High temperature		$-55\text{ °C} \leq T_p \leq 235\text{ °C}$	-
	Low temperature		$-196\text{ °C} \leq T_p \leq 100\text{ °C}$	-

1) T process varies depending on the specification of the sensor if the convertor only is selected.

Connection data**Input entity parameters for:**

- Average temperature probe + Converter
- Average temperature probe + Converter + Water bottom sensor
- Converter

Power supply terminal
$U_i = 30\text{ V}$
$I_i = 300\text{ mA}$
$P_i = 1\text{ W}$
$C_i = 10\text{ nF}$
$L_i = 0$

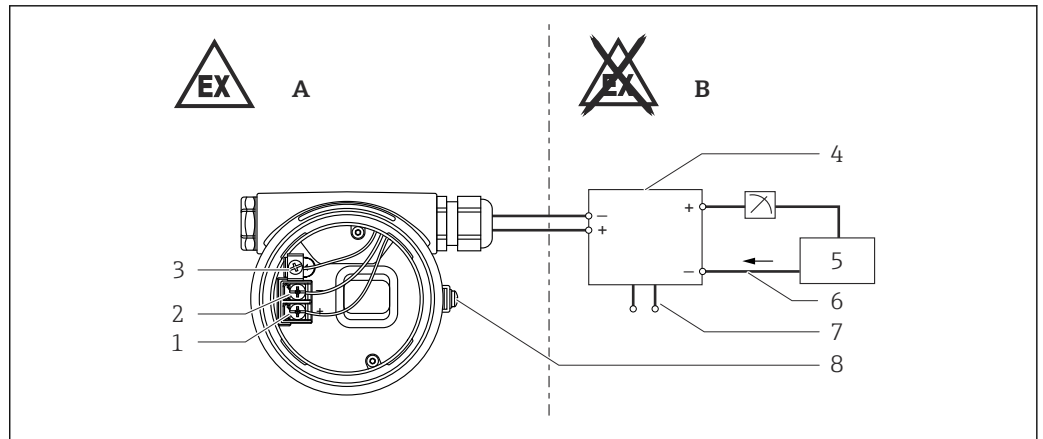
Output entity parameters for converter

Connection for sensor
$U_o = 7\text{ V}$
$I_o = 68\text{ mA}$
$P_o = 250\text{ mW}$
$C_o = 15.58\text{ uF}$ (for $L_o = 0$)
$L_o = 5\text{ mH}$ (for $C_o = 0$)

Intrinsic safety

Temperature + Transmitter

Temperature + Transmitter + Water bottom sensor



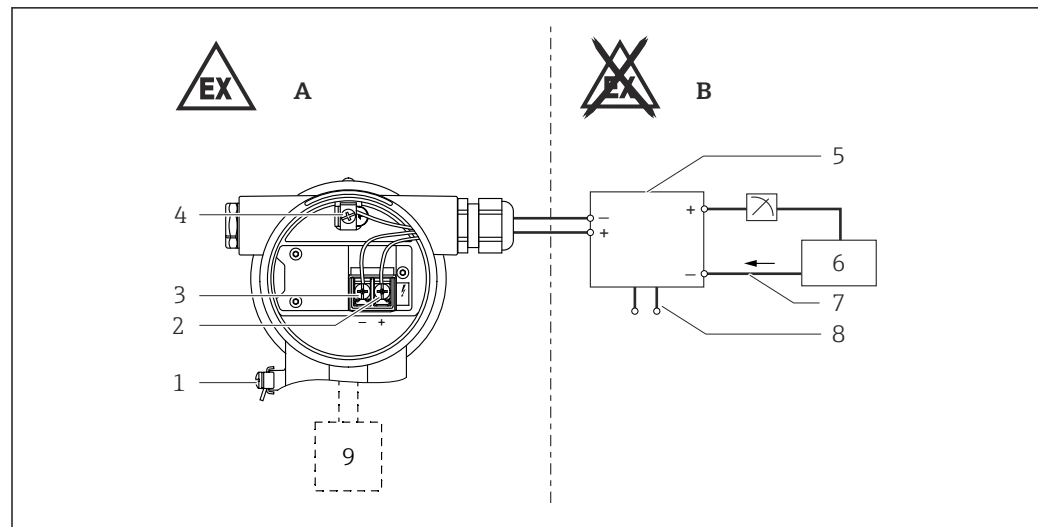
A0045083

- A Hazardous location:
 Basic specification, Position 1, 2 = CB:
 Class I, Div. 1, Groups A, B, C, D; Class I, Zone 0, AEx/Ex ia IIC Ga
 Basic specification, Position 1, 2 = CJ:
 Class I, Div. 1, Groups C, D; Class I, Zone 0, AEx/Ex ia IIB Ga
- B Non-hazardous location
- 1 External ground terminal
- 2 Positive terminal
- 3 Negative terminal
- 4 Internal ground terminal
- 5 Barrier / Associated equipment
- 6 External load
- 7 4 to 20 mA loop
- 8 Supply

Entity installation

- Install per National Electrical Code (NFPA70) or Canadian Electrical Code, Part I (C22.1), as applicable.
- Use an intrinsic safety barrier or other associated equipment that is approved for the country in use and satisfies the following conditions: $U_o (V_{oc}) \leq U_i (V_{max})$, $I_o (I_{sc}) \leq I_i (I_{max})$, $C_o (C_a) \geq C_i + C_{cable}$, $L_o (L_a) \geq L_i + L_{cable}$ and $P_o \leq P_i$.
- For transmitter parameters: See "Connection data" section.
- Associated devices with galvanic isolation between the intrinsically safe and non-intrinsically safe circuits are preferred.
- Control room equipment may not use or generate over 250 V_{rms}.
- Always follow the installation instructions provided by the intrinsic safety barrier manufacturer when installing this equipment.
- WARNINGS: Substitution of components may impair intrinsic safety.
- The transmitter housing is to be connected to ground via internal or external ground terminals.

Converter only



A0047845

- A *Hazardous location:*
 Basic specification, Position 1, 2 = CH
 Class I, Div. 1, Groups A, B, C, D
 Class I, Zone 1, AEx/Ex ia IIC Gb
- B *Non-hazardous location*
- 1 *External ground terminal*
 2 *Positive terminal*
 3 *Negative terminal*
 4 *Internal ground terminal*
 5 *Barrier / Associated equipment*
 6 *External load*
 7 *4 to 20 mA loop*
 8 *Supply*
 9 *Temperature measurement circuit (not include in NMT81-CJ)*

Entity installation

- Install per National Electrical Code (NFPA70) or Canadian Electrical Code, Part I (C22.1), as applicable.
- Use an intrinsic safety barrier or other associated equipment that is approved for the country in use and satisfies the following conditions: $U_o (V_{oc}) \leq U_i (V_{max})$, $I_o (I_{sc}) \leq I_i (I_{max})$, $C_o (C_a) \geq C_i + C_{cable}$, $L_o (L_a) \geq L_i + L_{cable}$ and $P_o \leq P_i$.
- For transmitter parameters: See "Connection data" section.
- Associated devices with galvanic isolation between the intrinsically safe and non-intrinsically safe circuits are preferred.
- Control room equipment may not use or generate over 250 V_{rms}.
- Always follow the installation instructions provided by the intrinsic safety barrier manufacturer when installing this equipment.
- WARNINGS: Substitution of components may impair intrinsic safety.
- The transmitter housing is to be connected to ground via internal or external ground terminals.

Others

- The contents of this document may be added or changed without notice when new knowledge about explosion protection or safety is obtained.
- Keep this document together with the instruction manual (BA).



www.addresses.endress.com
