



Brief Operating Instructions HAW569-AA2B, HAW569-DA2B

Surge arresters for field mounting

Basic safety instructions

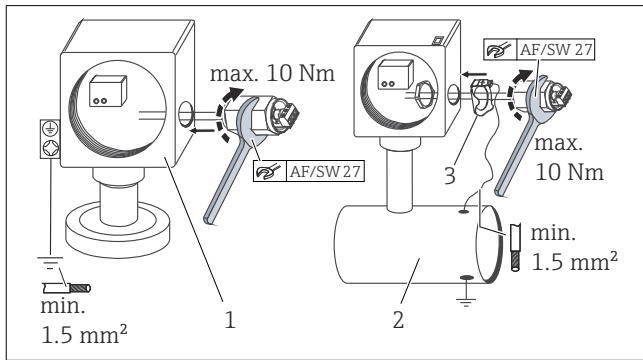
The device must be connected and installed only by an electrical technician. The national regulations and safety requirements must be observed. The device must be checked for external damage prior to installation. If any damage or other defect is found, the device must not be installed. The device may only be used within the scope of the conditions specified and outlined in these Installation Instructions. Loads exceeding the specified values may destroy the device and the electrical equipment connected to it. Tampering with or modifying the device

will invalidate the warranty. If it is necessary to isolate the shield cable for operational reasons, indirect shield grounding is recommended. → 1

If the shield connection terminal (middle terminal) on the input side is not connected, it is to be regarded as not having any function. Separate Ex documentation is supplied with devices used in hazardous areas (HAW569-DA2B). The safety instructions contained therein must be observed at all times!

Mounting

Mounting the device



- 1 Mounting in field housing (metal housing) without grounding ring - grounding via metal housing
- 2 Mounting in field housing (non-metal housing) with grounding ring
- 3 Grounding ring (available as accessory)

Installation instructions

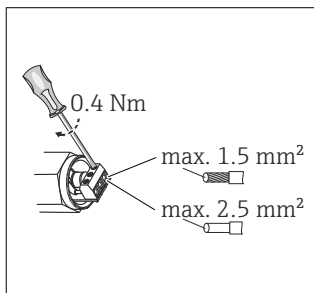
Installation on field/device side: M20 x 1.5 internal thread / M20 x 1.5 external thread

Orientation

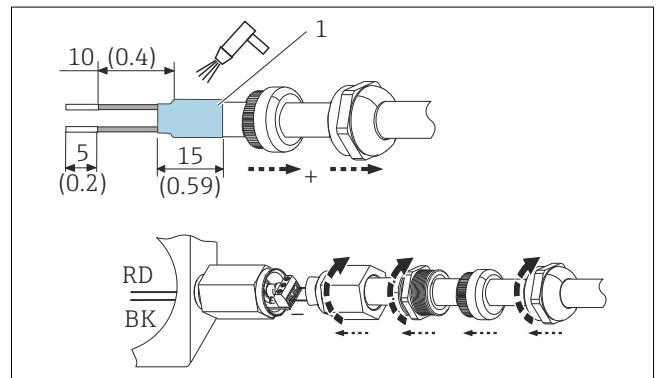
No restrictions

Electrical connection

Shield grounding

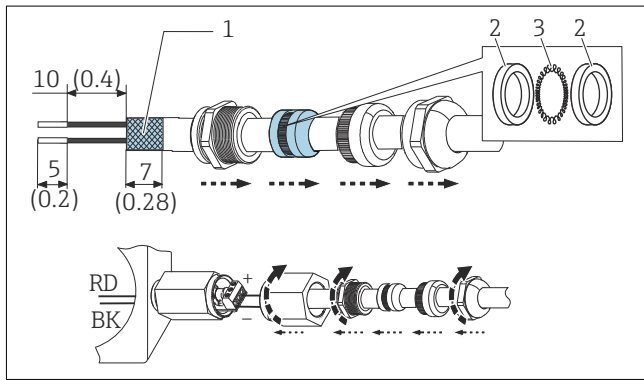


- 1 General instructions



- 2 Without shield grounding

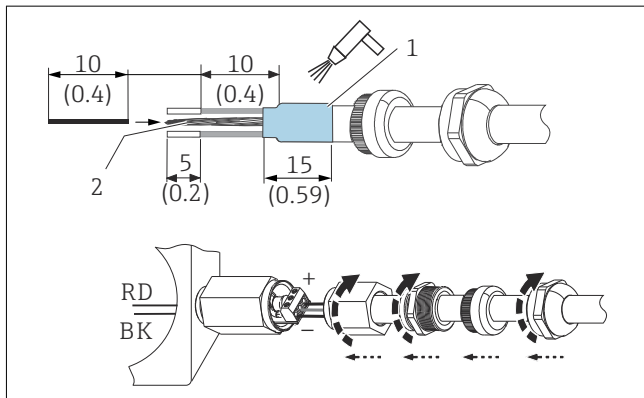
- 1 Heat-shrink tube



3 Direct shield grounding with EMC cable gland (accessory)

- 1 Cable shield
- 2 Spring
- 3 Washer

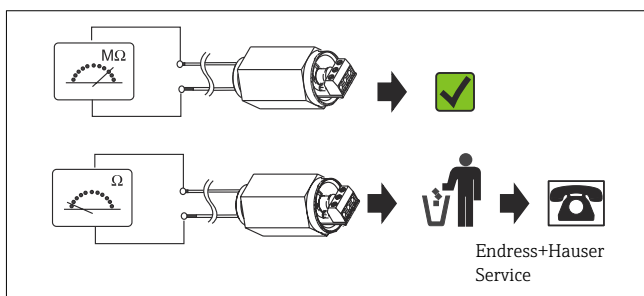
i Washers and springs are part of the cable gland. The spring establishes contact between the cable shield and ground.



4 Indirect shield grounding via gas discharge (not permitted in Ex area)

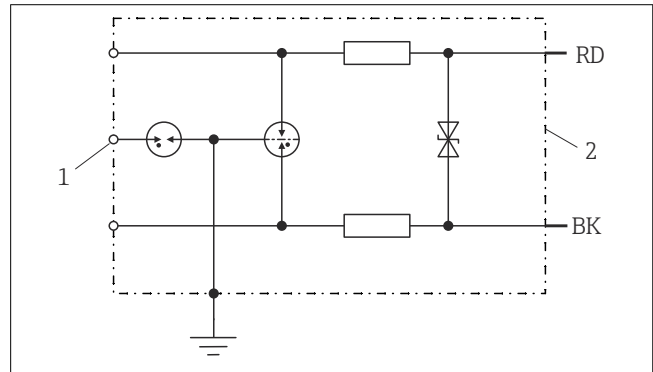
- 1 Heat-shrink tube
- 2 Cable shield

Commissioning



7 Function test

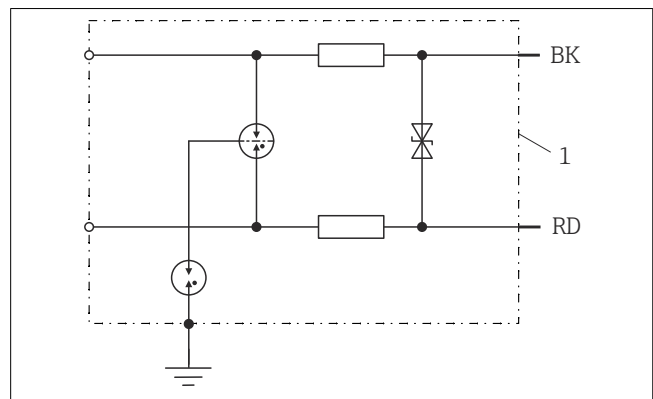
HAW569-AA2B (non-Ex lead-through version)



5 Internal circuitry HAW569-AA2B

- 1 Shield
- 2 Protected

HAW569-DA2B (Ex ia lead-through version)



6 Internal circuitry HAW569-DA2B

- 1 Protected