

Safety Instructions

Memosens ISFET pH sensors

pH measurement

Supplement to BA02154C

CSA C/US IS Cl. 1 Div. 1 GP A-D T3/T4/T6 + CSA

C/US IS Cl. 1 Zone 0 AEx ia IIC T3/T4/T6

CSA C/US IS Cl. 1 Div. 1 GP A-D T4/T6 + CSA C/US

IS Cl. 1 Zone 0 AEx ia IIC T4/T6

CSA C/ US Cl. 1 Div 1&2 GP A-D T6...T3



Memosens ISFET pH sensors

pH measurement

Table of contents

Associated documentation	4
Additional documentation	4
Certificates	4
Identification	4
Safety Instructions	5
Temperature tables	6
Connection	6
Installation conditions	8

Associated documentation

This document is an integral part of Operating Instructions BA02154C.

Additional documentation



- Competence Brochure CP00021Z
 - Explosion Protection: Guidelines and General Principles
 - www.endress.com

Certificates

The certificates and declarations of conformity are available in the Downloads area of the Endress+Hauser website:

www.endress.com/download

CSA C/US certificate, certificate number: CSA20CA80021490X

Identification

The nameplate provides you with the following information on your device:

- Manufacturer identification
- Order code
- Extended order code
- Serial number
- Safety information and warnings
- Ex marking on hazardous area versions

► Compare the information on the nameplate with the order.

Type code

Item type	Version					
xPS47E xPS77E	CI: CSA C/US IS Cl. 1 Div. 1 GP A-D T3/T4/T6 + CSA C/US IS Cl. 1 Zone 0 AEx ia IIC T3/T4/T6 CB: CSA C/ US Cl. 1 Div 1&2 GP A-D T6...T3	*	*	**	*	+*
x = C, OC No Ex relevance		No Ex relevance				

Item type	Version					
xPS97E	CI: CSA C/US IS Cl. 1 Div. 1 GP A-D T4/T6 + CSA C/US IS Cl. 1 Zone 0 AEx ia IIC T4/T6 CB: CSA C/ US Cl. 1 Div 1&2 GP A-D T6/T3	*	*	**	*	+*
x = C, OC No Ex relevance		No Ex relevance				

Certificates and approvals

The product meets the requirements of:

- CLASS - C225804 - PROCESS CONTROL EQUIPMENT - Intrinsically Safe Entity - For Hazardous Locations
- CLASS - C225884 - PROCESS CONTROL EQUIPMENT - Intrinsically Safe Entity - For Hazardous Locations - Certified to US Standards

This is verified by compliance with the following standards:

- CAN/CSA-C22.2 No. 60079-0:19
- CAN/CSA-C22.2 No. 60079-11:14
- ANSI/UL 60079-0:19
- ANSI/UL 60079-11:13
- CAN/CSA-C22.2 No. 61010-1-12 (May 2012)
- UL Std. No. 61010-1 (3rd Edition)

Ex approvals

CPS47E / CPS77E:

CSA C/US IS Cl. 1 Div. 1 GP A-D T3/T4/T6
+
CSA C/US IS Cl. 1 Zone 0 AEx ia IIC T3/T4/T6
CSA C/ US Cl. 1 Div 1&2 GP A-D T6...T3


CPS97E:

CSA C/US IS Cl. 1 Div. 1 GP A-D T4/T6
+
CSA C/US IS Cl. 1 Zone 0 AEx ia IIC T4/T6
CSA C/ US Cl. 1 Div 1&2 GP A-D T6...T3

Safety Instructions


The inductive Memosens ISFET pH sensors CPS47E, CPS77E, CPS97E are suitable for use in hazardous areas in accordance with: CSA C/US certificate CSA20CA8002.1490X

- ISFET pH sensors of the series xPSx7E must not be operated under electrostatically critical process conditions. Intensive vapor or dust clouds, which have a direct impact on the connection system, must be avoided.
- The sensor may not be operated on processing conditions, in which an electrostatic loading of the sensor and the connecting system is to be counted. Operation in product application intended fluid media providing conductivity of least 10 ns/cm can be assumed as electrostatic uncritical.
- Ex-protected digital sensors with Memosens technology are identified by an orange-red ring on the terminal head.
- Install the device according to the National Electrical Code (NFPA70) or the Canadian Electrical Code, Part 1 (C22.1), where applicable.

- The procedures for electrical connection described in the Operating Instructions must be followed.
- The maximum ambient and process temperatures for temperature classes T3, T4 or T6 are limited as specified in the tables of this certificate →  6.
- The device must be installed as specified in Control Drawing 211038777.

Temperature tables

Sensor	Temperature class	Process temperature T _p		Ambient temperature T _a	
		minimum	maximum	minimum	maximum
CPS47E CPS77E	T3	-15 °C (5 °F)	135 °C (275 °F)	-15 °C (5 °F)	70 °C (158 °F)
	T4	-15 °C (5 °F)	115 °C (239 °F)	-15 °C (5 °F)	75 °C (167 °F)
			110 °C (230 °F)		80 °C (176 °F)
			100 °C (212 °F)		85 °C (185 °F)
			90 °C (194 °F)		90 °C (194 °F)
T6	-15 °C (5 °F)	65 °C (149 °F)	-15 °C (5 °F)	65 °C (149 °F)	
CPS97E	T4	-15 °C (5 °F)	110 °C (230 °F)	-15 °C (5 °F)	80 °C (176 °F)
			100 °C (212 °F)		85 °C (185 °F)
			90 °C (194 °F)		90 °C (194 °F)
			T6		-15 °C (5 °F)

The temperature table above applies only under the following installation conditions, which are described in the following graphic →  8. If the installation conditions cannot be met, the maximum process temperature T_p must not exceed the maximum ambient temperature T_a.

Connection

Ex specification



The sensors can be connected both Class I Division 1 and Class I Division 2:

Division 1 equipment can be used in Division 2 as long as they are installed in the same manner as they were intended for Division 1 (NEC 500.8 (B)(2)). This is the case for Memosens sensor with inductive coupling between sensor and cable. There are no different installation methods between sensor and cable. For the cable-transmitter connection the XA of the transmitter must be considered.

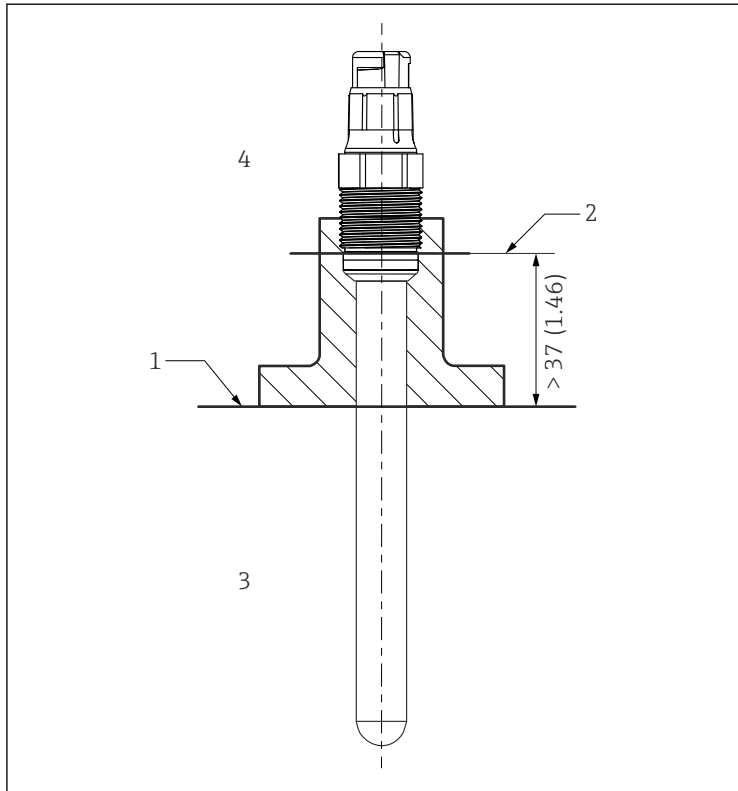
- The ISFET pH sensors of the series CPSx7E are approved according to CSA20CA80021490X and suitable for use in explosion-hazardous environments.
- The approved digital ISFET pH sensors feature an intrinsically safe input with the following parameter set:

Parameters	Value
P _i	180 mW

The approved CPSx7E-type digital ISFET pH sensors must be connected to a Memosens measuring cable or cable transmitter with an intrinsically safe output with the following parameter:

Parameters	Value
P _o	Maximum 180 mW

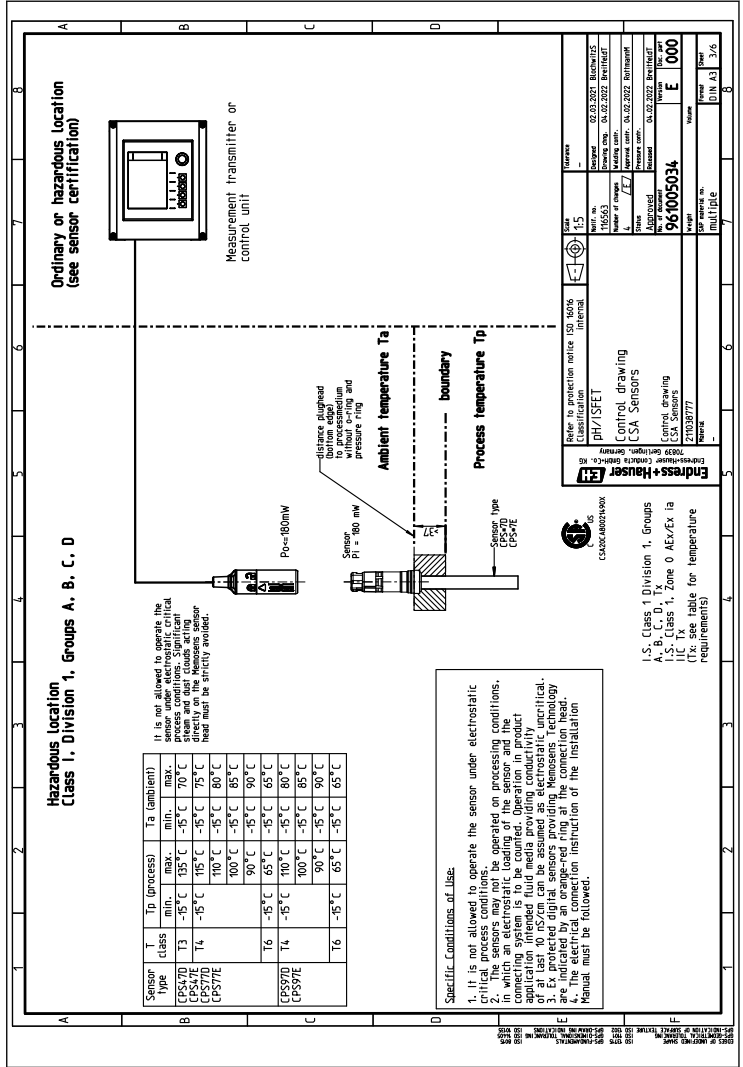
Installation conditions



A0041281

1 Installation conditions

- 1 Limit
- 2 Distance between plug-in head (lower edge) and process medium, without ring and thrust collar
- 3 Process temperature T_p
- 4 Ambient temperature T_a





71554950

www.addresses.endress.com
