

Installation Instructions


HistoROM

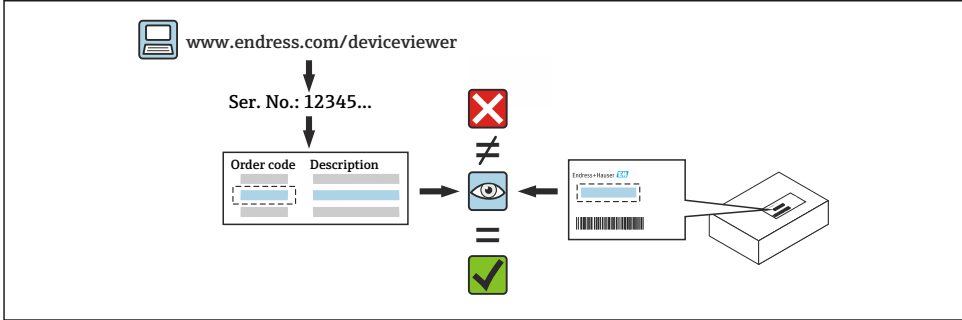
Gammapilot, Liquiphant, Micropilot, Prothermo
Cerabar, Deltabar



1 Intended use

- A defective unit can only be replaced with a functioning unit of the same type.
- Only use original parts from Endress+Hauser.
- Check in the W@M Device Viewer if the spare part is suitable for the existing measuring device.


 A spare parts overview is located in the interior of some measuring devices. If the spare parts kit is specified on this list, no inspection is required.



2 Personnel authorized to carry out repairs

Technical staff must comply with the following requirements for repair, mounting, electrical installation and commissioning of the measuring devices:

- Specialized technical staff must be trained in instrument safety.
- They must be familiar with the individual operating conditions of the devices.
- In the case of Ex-certified measuring devices, they must also be trained in explosion protection.

 Technical staff carrying out work are responsible for ensuring that the work is carried out safely and to the required quality standard. They must also guarantee the safety of the device following repair.

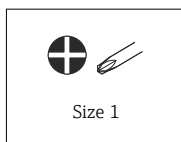
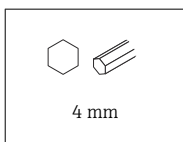
3 Safety instructions

- Comply with national regulations governing mounting, electrical installation, commissioning, maintenance and repair procedures.
- The device is energized! Risk of fatal injury from electric shock. Open the device only when the device is de-energized.
- For devices intended for use in hazardous locations, please observe the guidelines in the Ex documentation (XA).

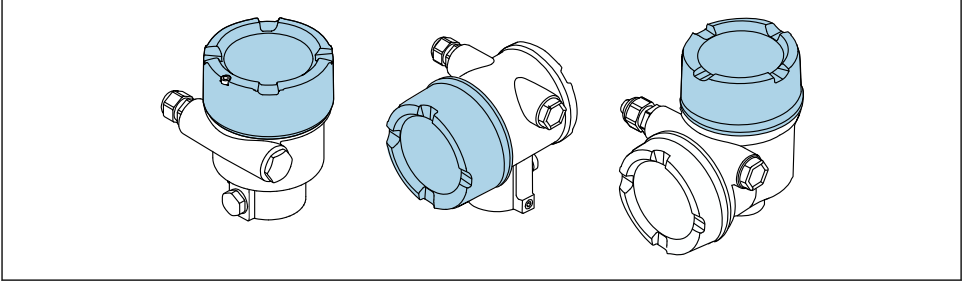
- In the case of devices in safety-related applications in accordance with IEC 61508 or IEC 61511: Commission in accordance with Operating Instructions after repair. Document the repair procedure.
- Before removing the device: set the process to a safe state and purge the pipe of dangerous process substances.
- Hot surfaces! Risk of injury! Before commencing work: allow the system and device to cool down to a touchable temperature.
- In the case of devices in custody transfer, the custody transfer status no longer applies once the seal has been removed.
- Follow the Operating Instructions for the device.
- Risk of damaging the electronic components! Ensure you have a working environment protected from electrostatic discharge.
- After removing the electronics compartment cover: risk of electrical shock due to missing touch protection!
Turn the device off before removing internal covers.
- Modifications to the device are not permitted.
- Only open the housing for a brief period. Avoid the penetration of foreign bodies, moisture or contaminants.
- Replace defective seals only with original seals from Endress+Hauser.
- If threads are damaged or defective, the device must be repaired.
- Do not lubricate threads (e.g. of electronics compartment cover or connection compartment cover).
- If spacing is reduced or the dielectric strength of the device is not guaranteed during repair work, perform a test on completion of the work (e.g. high-voltage test in accordance with the manufacturer's instructions).
- Service plug:
 - Do not connect in explosive atmospheres.
 - Only connect to Endress+Hauser service devices.
- Observe the instructions for transporting and returning the device outlined in the Operating Instructions.

 In case of questions, please contact the local [Endress+Hauser service organization](#).

4 Tools list

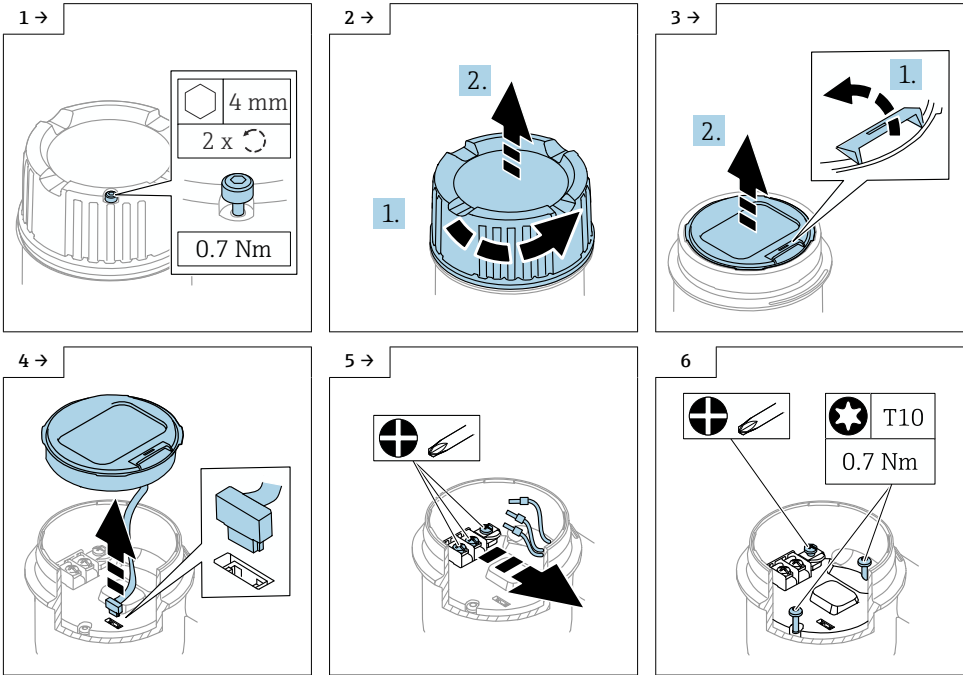


5 Installation position

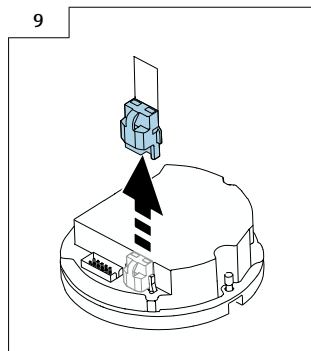
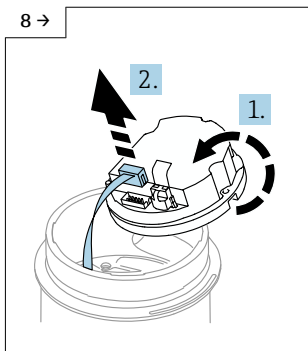
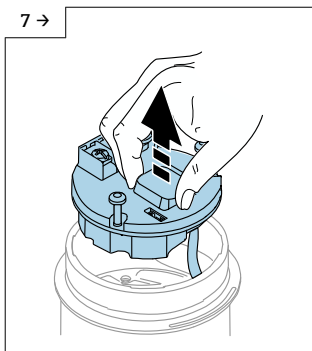


6 Single-compartment housing: Removing the HistoROM

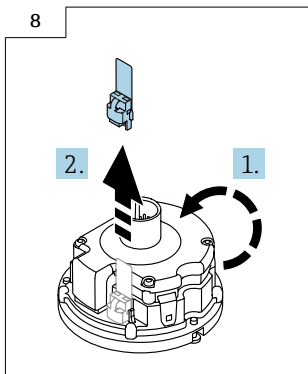
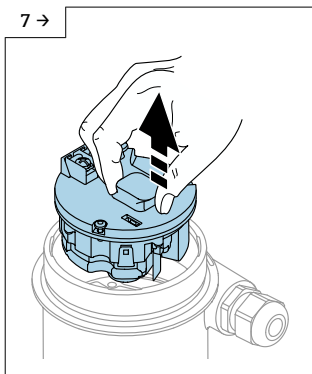
Optional: cover lock, display



6.1 Gammapilot, Micropilot, Prothermo, Cerabar, Deltabar

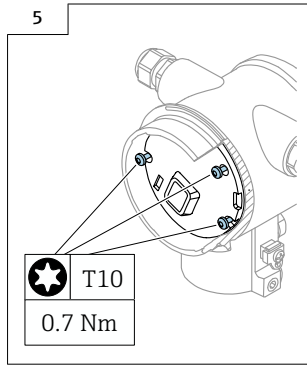
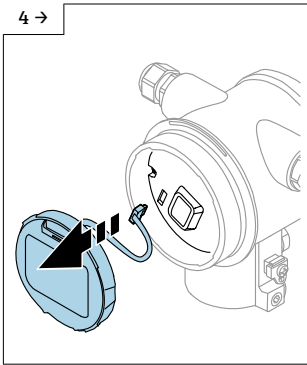
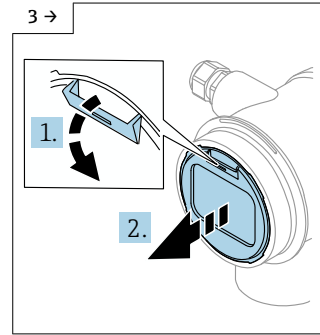
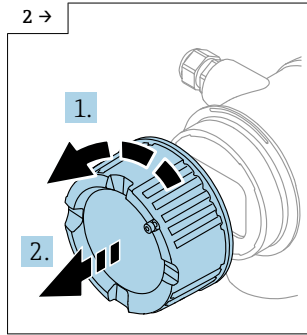
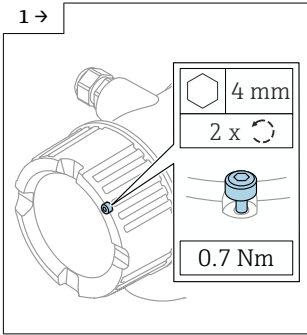


6.2 Liquiphant

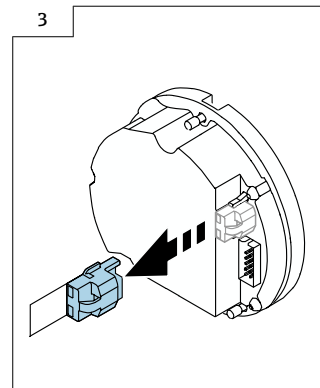
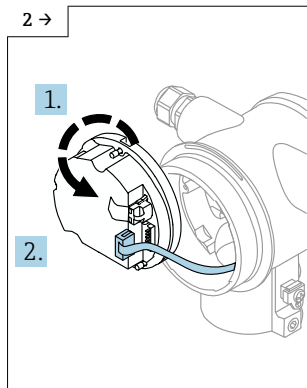
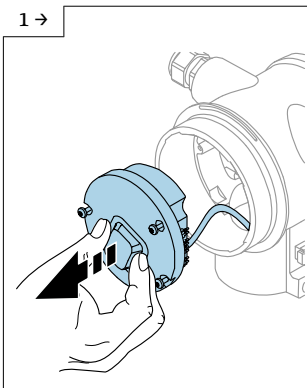


7 Dual-compartment housing: Removing the HistoROM

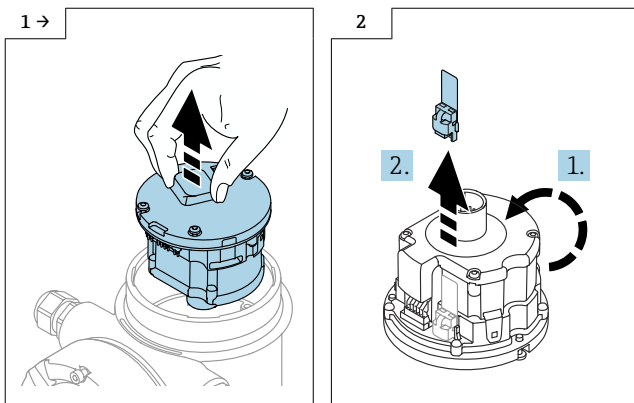
Optional: cover lock, display



7.1 Gammapilot, Micropilot, Prothermo, Cerabar, Deltabar



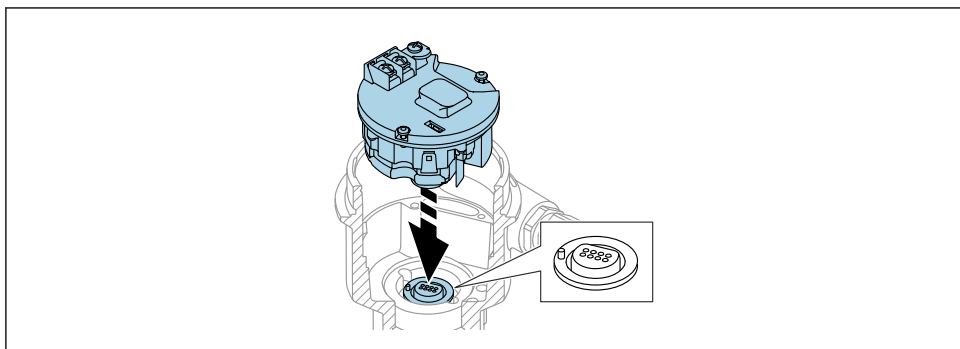
7.2 Liquiphant



8 Installing the HistoROM

Installation is performed by following the removal procedure in reverse order.

i Only for Liquiphant: Insert the electronics module as far as it will go into the housing in the position shown.



i For devices with a cover locking, please note the following:

The securing screw must not protrude over the lower edge of the cover. Pay attention to the position of the securing screw before and while screwing down the cover.

9 Putting the device into operation

9.1 Restoring the device configuration via the CER

Restore the device configuration at the time of delivery via the CER data.

In order to do this, please contact Endress+Hauser Service.

If the device parameters were uploaded before the HistoROM was replaced, use Fieldcare to perform a download from the time of the upload.


▶ Guidance → Import/Export → Save/Restore → Restore

9.2 Alternatively: Configuring the device (not for Prothermo)

Reconfigure the necessary device settings.

▶ Configuration is carried out via the optional HART, CDI and Bluetooth interfaces or via the display with keys.

After configuration, the device is ready for operation again.

 After configuration, the device serial number, order code, activation code and wizard for Heartbeat, SIL and WHG are no longer available.

10 Disposal



If required by the Directive 2012/19/EU on waste electrical and electronic equipment (WEEE), the product is marked with the depicted symbol in order to minimize the disposal of WEEE as unsorted municipal waste. Do not dispose of products bearing this marking as unsorted municipal waste. Instead, return them to Endress+Hauser for disposal under the applicable conditions.



71555086

www.addresses.endress.com
