

Installation Instructions


Dummy plug M20×1.5, dummy plug NPT¹/₂

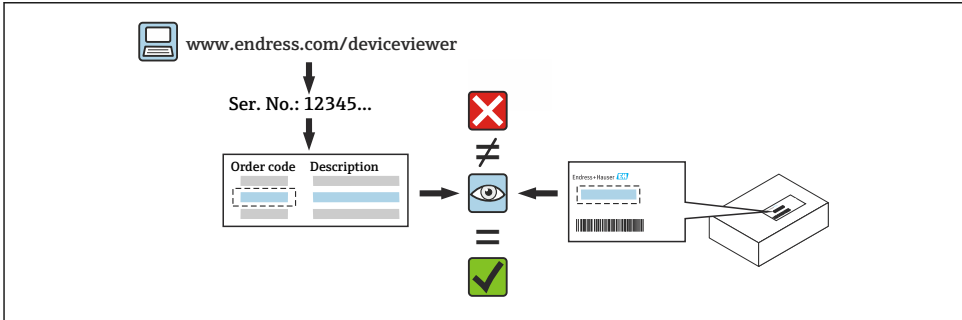
Gammapilot, Liquiphant, Micropilot, Prothermo
Cerabar, Deltabar



1 Intended use

- A defective unit can only be replaced with a functioning unit of the same type.
- Only use original parts from Endress+Hauser.
- Check in the W@M Device Viewer if the spare part is suitable for the existing measuring device.


 A spare parts overview is located in the interior of some measuring devices. If the spare parts kit is specified on this list, no inspection is required.



2 Personnel authorized to carry out repairs


Technical staff must comply with the following requirements for repair, mounting, electrical installation and commissioning of the measuring devices:

- Specialized technical staff must be trained in instrument safety.
- They must be familiar with the individual operating conditions of the devices.
- In the case of Ex-certified measuring devices, they must also be trained in explosion protection.

 Technical staff carrying out work are responsible for ensuring that the work is carried out safely and to the required quality standard. They must also guarantee the safety of the device following repair.

3 Safety instructions

- Comply with national regulations governing mounting, electrical installation, commissioning, maintenance and repair procedures.
- For devices intended for use in hazardous locations, please observe the instructions in the Ex documentation (XA).
- Observe the Operating Instructions for the device.

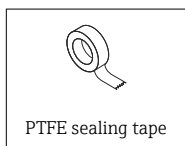
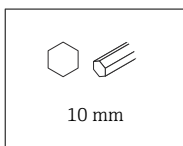
 If you have any questions, please contact the [Endress+Hauser Serviceorganisation](#) responsible.

4 Tools list

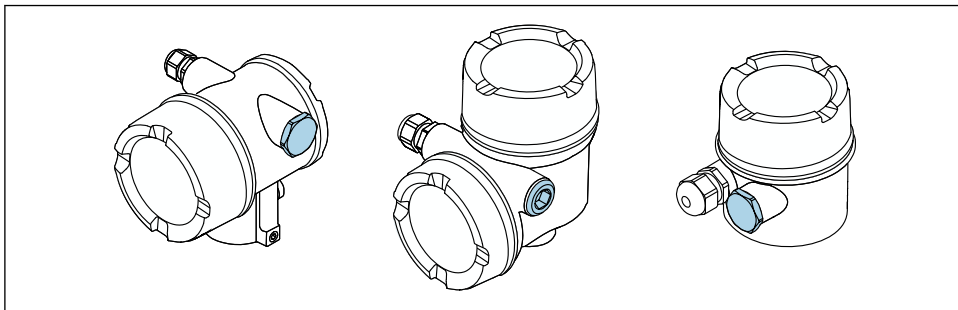
Dummy plug M20×1.5



Dummy plug NPT½

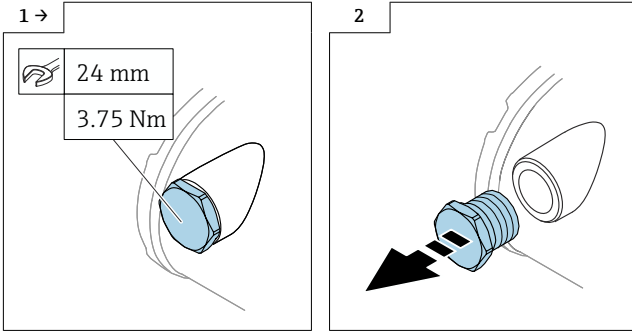


5 Replacing dummy plugs



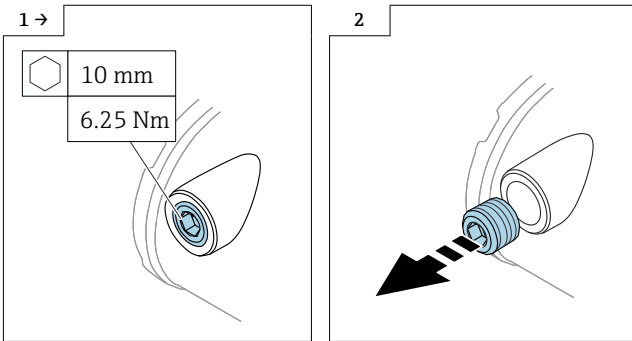
1 Installation positions

5.1 Dummy plug M20×1.5



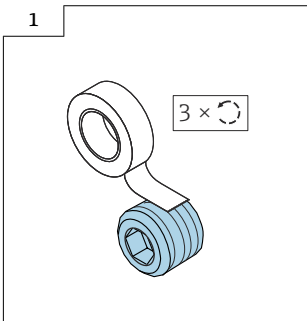
Installation is performed by following the removal procedure in reverse order.

5.2 Dummy plug NPT½



Installation is performed by following the removal procedure in reverse order.

Please note the following:





71555121

www.addresses.endress.com
