

# Technical Information

## Solitrend MMP44

Material moisture measurement



In-line moisture measurement for grains and seeds  
Flexible and reliable operation in primarily  
continuous drying processes and malting plants

### Application

Moisture measurement in grain dryers, grain handling, seeds and malting plants



### Your benefits

- Easy commissioning even in challenging processes
- Deep material penetration to 130 mm (5.12 in)
- Large measuring field with a volume of up to 1.5 l
- Optional versions available for higher moisture values, vaporous processes or abrasive media
- Ambient temperature up to 120 °C (248 °F) thanks to remote electronics module
- Broad measuring range of 0 to 100 % vol. moisture
- Factory calibration for maize and wheat for example
- Measurement of surface and capillary moisture



## Table of contents

<b>About this document</b> .....	<b>3</b>	<b>Accessories</b> .....	<b>16</b>
Symbols .....	3	Device-specific accessories .....	16
<b>Function and system design</b> .....	<b>3</b>	<b>Documentation</b> .....	<b>16</b>
Measuring principle .....	3	Brief Operating Instructions (KA) .....	16
Measuring system .....	4	Operating Instructions (BA) .....	16
Calibration .....	4		
Operating mode .....	5		
Communication .....	5		
<b>Input</b> .....	<b>5</b>		
Measured variable .....	5		
Measuring range .....	5		
<b>Output</b> .....	<b>5</b>		
Analog .....	5		
Digital .....	6		
Linearization .....	6		
<b>Power supply</b> .....	<b>6</b>		
Terminal assignment .....	6		
Supply voltage .....	6		
Power consumption .....	6		
Power supply failure .....	6		
Electrical connection .....	7		
Potential equalization .....	7		
Cable specification .....	7		
<b>Performance characteristics</b> .....	<b>8</b>		
Reference operating conditions .....	8		
Measured value resolution .....	8		
<b>Mounting</b> .....	<b>8</b>		
Mounting location .....	8		
Orientation .....	9		
Installation instructions .....	12		
<b>Environment</b> .....	<b>12</b>		
Ambient temperature range .....	12		
Storage temperature .....	12		
Operating altitude .....	12		
Degree of protection .....	12		
<b>Process</b> .....	<b>13</b>		
Temperature .....	13		
<b>Mechanical construction</b> .....	<b>13</b>		
Product design .....	13		
Dimensions .....	13		
Weight .....	15		
Materials .....	15		
<b>Certificates and approvals</b> .....	<b>15</b>		
<b>Ordering information</b> .....	<b>16</b>		

## About this document

### Symbols

#### Safety symbols

##### **DANGER**

This symbol alerts you to a dangerous situation. Failure to avoid this situation will result in serious or fatal injury.

##### **WARNING**

This symbol alerts you to a dangerous situation. Failure to avoid this situation can result in serious or fatal injury.

##### **CAUTION**

This symbol alerts you to a dangerous situation. Failure to avoid this situation can result in minor or medium injury.

##### **NOTICE**

This symbol contains information on procedures and other facts which do not result in personal injury.

#### Symbols for certain types of information and graphics

##### **Tip**

Indicates additional information



Reference to graphic

##### **Permitted**

Procedures, processes or actions that are permitted

##### **Preferred**

Procedures, processes or actions that are preferred

##### **Forbidden**

Procedures, processes or actions that are forbidden

**1, 2, 3, ...**

Item numbers

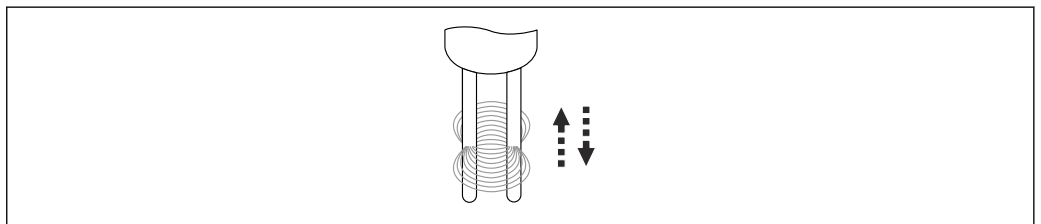
**A, B, C, ...**


Views

## Function and system design

### Measuring principle

Time-domain reflectometry (TDR) is a radar-based dielectric measurement method where the transit time of electromagnetic pulses is determined to measure the water content. The sensors consist of a probe body with two stainless steel rods and one transmitter. The high-frequency TDR pulse generated in the transmitter is transmitted to the sensor via a HF cable and is then transmitted along the two-rod wave guide. An electromagnetic field is produced around these two rods/guide and therefore in the material surrounding the sensor. Using a patented measurement method, the transit time of this pulse is measured with a resolution of one picosecond ( $1 \times 10^{-12}$ ) in order to determine the moisture and temperature.



 1 *Two-rod wave guide*

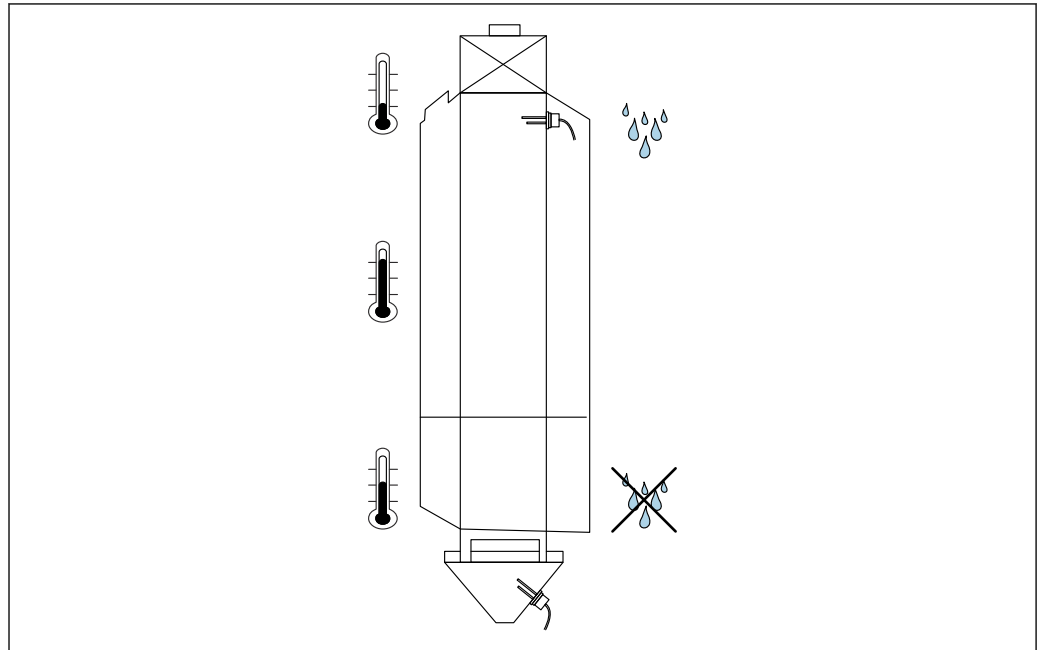
A0040868

The TDR method operates in the ideal frequency range between 600 MHz and 1.2 GHz.


With variable sensor designs, the modular TDR technology can be adapted to many applications.

## Measuring system

## Grain drying



A0040867

 2 Application example: grain drying

The device can be used to monitor the moisture of the supplied grain and can also be used to support or automate the grain drying process. A suitable calibration curve must be selected depending on the type of grain to be measured and its bulk density.

#### *Monitoring during grain acceptance*

The device makes it possible to continuously measure the moisture of the grain during the grain acceptance process. This produces a moisture profile that can be recorded with a PC, PLC or a recorder. In addition, the current values can be displayed with the remote display unit. This enables better quality control and greater transparency.

#### *Manual or semi-automatic dryer control*

In the case of manual or semi-automatic dryer control, the use of the device in conjunction with the remote display can significantly optimize drying results. In addition, by connecting a recorder or PC it is possible to document the drying process. This provides additional optimization potential for the drying process.

#### *Automatic control of the grain dryer*

The device is connected to the actual value input of a controller. Ideally, several devices are used. The efficiency of the drying process can be maximized with automatic control.

## Calibration

The sensor is supplied with factory calibrations for fast commissioning. 15 storage locations are available in the memory for the calibrations.




It is only possible to modify the calibration with the remote display (optional).

<b>Operating mode</b>	<p>The sensor is supplied from the factory with the <b>CA</b> mode for general process applications. 6 different operating modes are available depending on the application.</p> <ul style="list-style-type: none"> <li>▪ <b>CS mode (Cyclic-Successive)</b> For very short measurement cycles in the seconds range (e.g. 1 to 10 s) without averaging and without filter functions, and with up to 100 measurements per second internally and a cycle time of 250 ms at the analog output</li> <li>▪ <b>CA mode (Cyclic Average Filter)</b> <ul style="list-style-type: none"> <li>▪ Standard averaging for fast but continuous measurement processes, with simple filtering and an accuracy of up to <math>\pm 0.3\%</math></li> <li>▪ The CA mode is also used to record raw values, without averaging and filtering, for subsequent analysis and determination of the optimum operating mode</li> <li>▪ Maximum averaging time 25 s</li> </ul> </li> <li>▪ <b>CF mode (Cyclic Floating Average with Filter)</b> <ul style="list-style-type: none"> <li>▪ Floating average for very slow and continuous measurement processes, with simple filtering and an accuracy of up to <math>\pm 0.3\%</math></li> <li>▪ Maximum averaging time 255 s</li> </ul> </li> <li>▪ <b>CK mode (Cyclic Kalman with Boost Filter)</b> For complex applications in mixers and dryers</li> <li>▪ <b>CC mode (Cyclic Cumulated)</b> With automatic totalizing of moisture volume measurement in a batch process, without PLC controller</li> <li>▪ <b>CH mode (Cyclic Hold)</b> Moisture volume measurement with automatic filter function, ideal for short batch processes with batch times of up to 2 s, for use without PLC controller</li> </ul>
<b>Communication</b>	Serial interface with databus protocol implemented as standard for the connection and networked operation of multiple sensors.

## Input

<b>Measured variable</b>	<ul style="list-style-type: none"> <li>▪ <b>Channel 1</b> Material moisture in % (variable setting)</li> <li>▪ <b>Channel 2</b> Conductivity or temperature</li> </ul>
<b>Measuring range</b>	<ul style="list-style-type: none"> <li>▪ <b>Material moisture</b> 0 to 100 % volumetric water content</li> <li>▪ <b>Temperature</b> 0 to 120 °C (32 to 248 °F)</li> <li>▪ <b>Material conductivity</b> 0 to 2 mS/cm</li> </ul>

## Output

<b>Analog</b>	<ul style="list-style-type: none"> <li>▪ 2 × 0 to 20 mA</li> <li>▪ 2 × 4 to 20 mA</li> <li>▪ 2 × 0 to 10 V, 500 Ω</li> </ul> <p> The following analog output versions can be configured:</p> <ul style="list-style-type: none"> <li>▪ Moisture, temperature Output 1 = moisture Output 2 = temperature</li> <li>▪ Moisture, conductivity Output 1 = moisture Output 2 = conductivity</li> <li>▪ Moisture, temperature/conductivity; presetting Output 1 = moisture Output 2 = alternating (conductivity/temperature)</li> </ul>
---------------	--

**Starting time**

The first stable measured value is present at the analog output after approx. 1 s.

**Digital**

- Serial interface, RS485 standard
- IMP-Bus
  - Signal cable and operating voltage are galvanically isolated
  - Data transmission rate 9 600 Bit/s

**Linearization**

15 different calibration curves can be selected and saved via the remote display (optional).  
Customer-specific calibrations can also be created and saved via the display.

## Power supply

**Terminal assignment**

The transmitter is supplied as standard with a 10-pin plug, series 26482, with IP67 protection.



The sensor is connected to the transmitter with a 2.5 m (8.2 ft) HF connecting cable.

**Supply voltage**

12 to 24 V<sub>DC</sub>

**Overvoltage**

- ▶ Only use stabilized power units

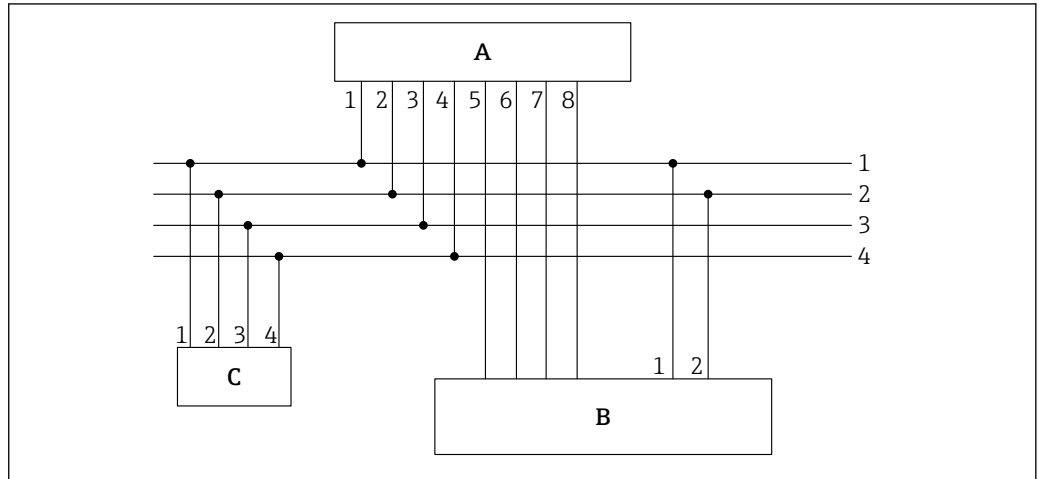
**Power consumption**

<3 W

**Power supply failure**

The configuration is retained in the device.

## Electrical connection



A0037418

3 Connection example, transmitter with 10-pin socket

- A Transmitter  
 B PLC / distribution box  
 C Remote display (optional)
- 1 0 V<sub>DC</sub> power supply  
 Wire color: blue (BU)
- 2 12 to 24 V<sub>DC</sub> stabilized power supply  
 Wire color: red (RD)
- 3 IMP-Bus RT  
 Wire color: gray (GY) / pink (PK)
- 4 IMP-Bus COM  
 Wire color: blue (BU) / red (RD)
- 5 1st current output (+), analog  
 Wire color: green (GN)
- 6 1st current output (-), analog  
 Wire color: yellow (YE)
- 7 2nd current output (+), analog  
 Wire color: pink (PK)
- 8 2nd current output (-), analog  
 Wire color: gray (GY)

**i** The moisture content determined and the conductivity / temperature can either be fed directly into a PLC via analog outputs 0 to 20 mA/4 to 20 mA or queried via the serial interface (IMP-Bus).

## Potential equalization

The shield is grounded at the transmitter.

## Cable specification

Connecting cables can be supplied in different lengths with terminated MIL plugs.

The individual cores are terminated with ferrules at the end of the cable.

Standard lengths:

- 4 m (13 ft)
- 10 m (32 ft)
- 25 m (82 ft)

Shielded cable **UNITRONIC PUR CP**, twisted pairs  $6 \times 2 \times 0.25 \text{ mm}^2$  (0.01 in<sup>2</sup>), PUR sheath resistant to oils and chemicals.

## Performance characteristics

### Reference operating conditions

The following reference conditions apply to the performance characteristics:

- Ambient temperature: 24 °C (75 °F) ±5 °C (±9 °F)
- Ideal installation conditions:
  - Constant bulk density
  - Sufficient material volume flow through the measuring field
  - No buildup

### Measured value resolution

#### Measuring field propagation

The measuring field propagates along the length of the sensor rods. The diameter of the measuring field is about twice the diameter of the sensor housing and has a volume of approx. 1.5 l.

#### Material moisture

Measuring range up to 100 % vol.

#### Conductivity

The conductivity value determined - as a characteristic value depending on the mineral concentration - is uncalibrated and is primarily used to characterize the material being measured. The conductivity range is reduced in material moisture measurement ranges > 50 %.

#### Temperature

Measuring range: 0 to 100 °C (32 to 212 °F)

The temperature is measured in the sensor rod tip and can be output at analog output 2.

#### Measured error

Accuracy up to ±0.3 %<sub>abs</sub> under ideal, constant installation and material conditions.

The measured error depends on the operating mode and on the flow of material around the measurement volume of the rods. The longer the averaging time and the more stable the material density in the measurement volume, the lower the measured error.

## Mounting

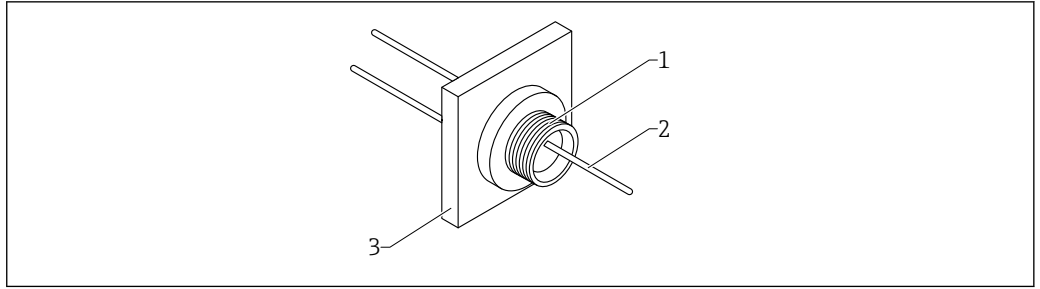
### Mounting location

- The device must be installed at a point in the process in such a way that ensures a constant bulk density, as the bulk density directly affects the calculation of the water content. Where necessary, a bypass should be created or structural measures may be needed at the place of installation to ensure that the material flow, and therefore the bulk density, over the sensor rods is constant.
- The flow of material over the sensor rods must be continuous. With the software, it is possible to automatically detect and bridge gaps in material flow in intervals of seconds.
- Material deposit or buildup on the sensor rods falsifies the reading and must therefore be avoided.

#### Wall mounting

The round two-rod sensor features a screw thread to secure it in a silo or housing wall. The area that is relevant for moisture measurement is located around the measuring rods. A temperature sensor is fitted on the tip of a sensor rod and is designed to measure the grain temperature without any influence from the vessel wall.





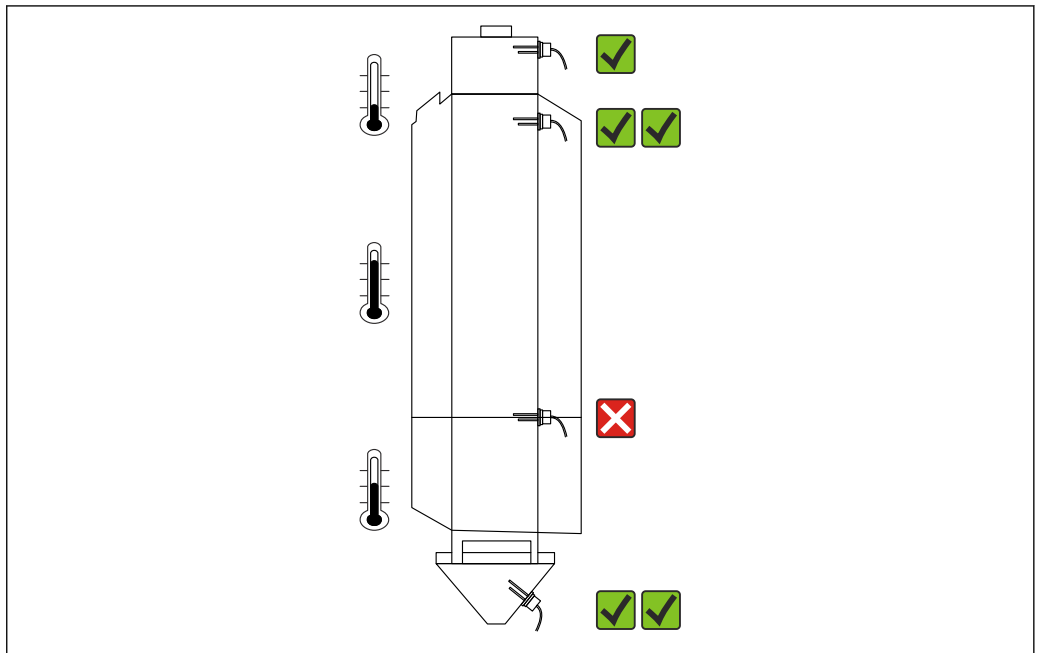
A0040866

4 Mounting example with mounting plate

- 1 Sensor
- 2 HF connecting cable
- 3 Mounting plate

Orientation

Continuous flow dryer



A0046112

5 Installation positions in a continuous flow dryer

**At dryer entry point/inlet**

Installation only recommended under certain conditions ✓

- In theory, it is possible to measure the moisture directly at the dryer entry point, as the material is fed in here and is mixed thoroughly to the extent possible.
- At temperatures below zero, frozen material could be fed in at this point.
- Frozen water is not detected and therefore the measured value is falsified.

**At the start of the heating zone**

Installation is recommended ✓✓

- The installation below the entry point ensures that sufficient regulation time is available
- Rising heat ensures that the material is not (or no longer) frozen
- A calibration curve with temperature compensation enables precise moisture measurement taking the temperature into consideration

**At the transition from the heating zone to the cooling zone**

Installation is not recommended ✗

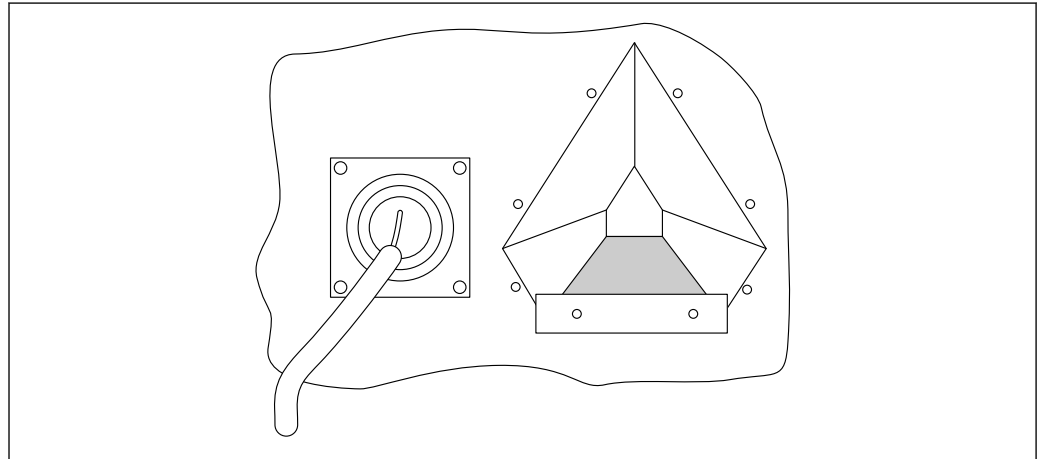
Not enough time to readjust the target moisture

**In the discharge hopper**

Installation is recommended ✓✓

- Installation location to monitor the target moisture
- The value can be fed back into the control loop
- A calibration curve with temperature compensation enables precise moisture measurement taking the temperature into consideration.

*Installation on the exhaust air side of the dryer wall*



A0040865

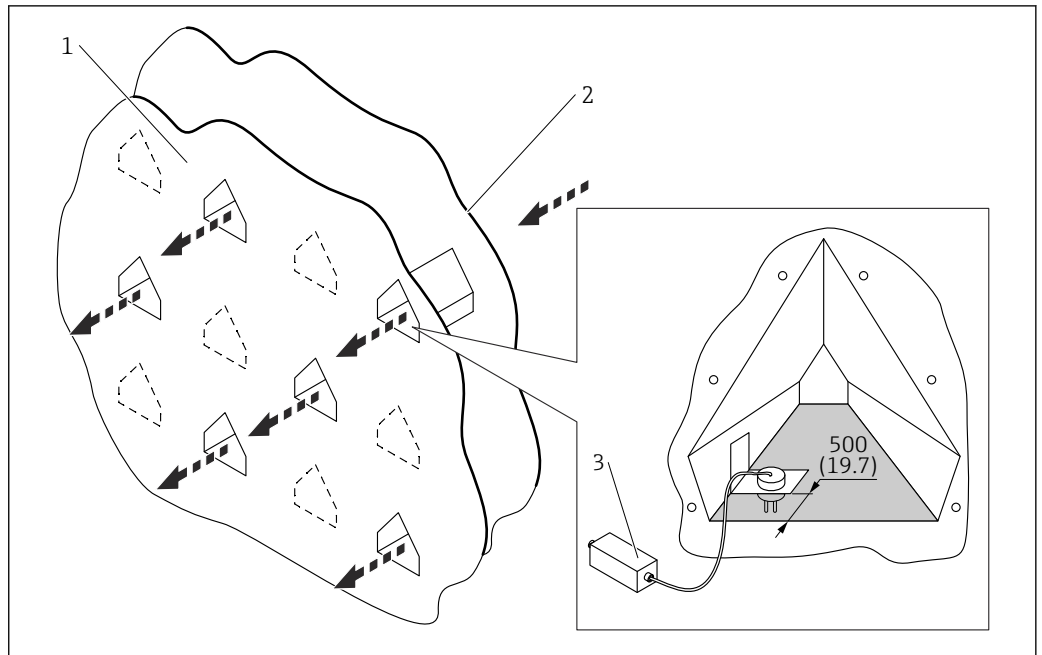
6 Installation example: dryer wall

**On the exhaust air side of the dryer wall**

Installation only recommended under certain conditions ✓

- The temperature conditions directly at the dryer wall can be different to conditions further inside the dryer. Therefore, the grain moisture content may not be representative here.
- Metal surfaces near and along the sensor rods can affect the measurement.
- Plant residue can stick to the sensor rods that project into the dryer at an angle. This can disturb the flow of material and even cause clogging, making measurement impossible.

Installation directly in the exhaust duct of a roof dryer



A0038346

7 Installation example: exhaust duct. Unit of measurement mm (in)

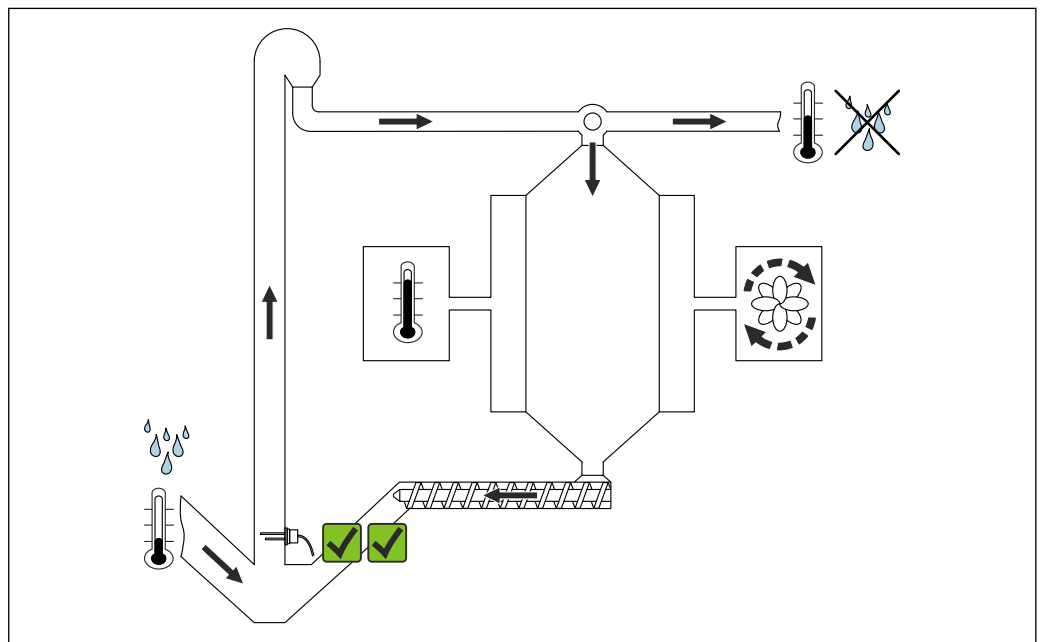
- 1 Exhaust air side
- 2 Hot air side
- 3 Transmitter

**Directly inside the exhaust duct**

Installation is recommended ✓✓

- Installation at a distance of 0.3 to 0.5 m (0.1 to 1.64 ft) from the exhaust side of the dryer wall ensures a representative measurement of the grain moisture inside the dryer.
- Plant residue cannot get caught on the sensor rods pointing vertically downwards.
- In addition, built-up material flow directly below the exhaust duct has a positive effect on the measuring accuracy.

**Recirculating dryer**



A0046113

8 Installation positions in a recirculating dryer

**Storage container or hopper**

Installation is recommended ✓✓

Best installation location in the storage container or near the discharge point where the grain circulating in the system is conveyed upwards again and the sensor is permanently covered with material or grain.

**i** In recirculating dryers and in acceptance areas, install the sensor in places where the material/grain is at the lowest transportation speed. High transportation speeds can cause turbulence around the sensor rods, which can negatively impact the measurement.

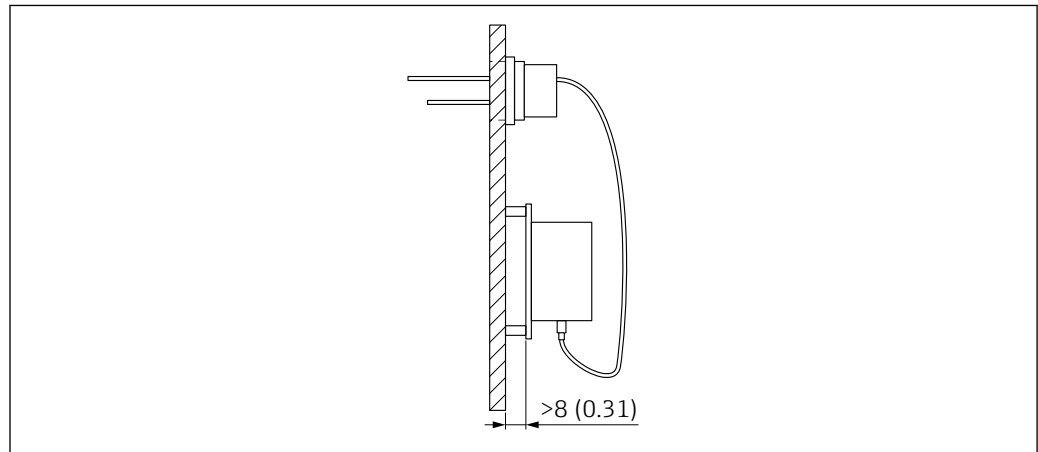
**Installation instructions****Mounting the transmitter**

For metrological reasons, the sensor cable is only 2.5 m (8.2 ft) long. The transmitter must therefore be mounted near the sensor. The ideal installation location is on the exhaust side of the dryer exterior wall.

The transmitter can be secured in the housing with screws via two holes made diagonally

If the surface temperature of 70 °C (158 °F) is exceeded at the mounting location, the transmitter must be secured with a minimum distance of 8 mm (0.3 in) to prevent the direct transmission of heat (back ventilation).

The use of a weather protection cover is recommended to protect the transmitter from direct sunlight or rain.



**9** Mounting the container wall with higher surface temperatures. Unit of measurement mm (in)

**Environment**

**Ambient temperature range** At the transmitter: -40 to +70 °C (-40 to +158 °F)

**Storage temperature** -40 to +70 °C (-40 to +158 °F)

**Operating altitude** Up to 2 000 m (6 600 ft) above sea level

**Degree of protection**

**Transmitter**

IP65


**Probe**

IP68 towards the medium with appropriate installation.

## Process

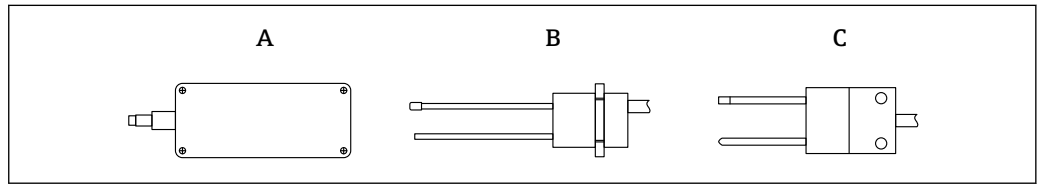
### Temperature

**Process temperature range**  
 -40 to +120 °C (-40 to +248 °F)


-  Moisture measurement below 0 °C (32 °F) is not possible.
- Frozen water (ice) cannot be detected.

## Mechanical construction

### Product design



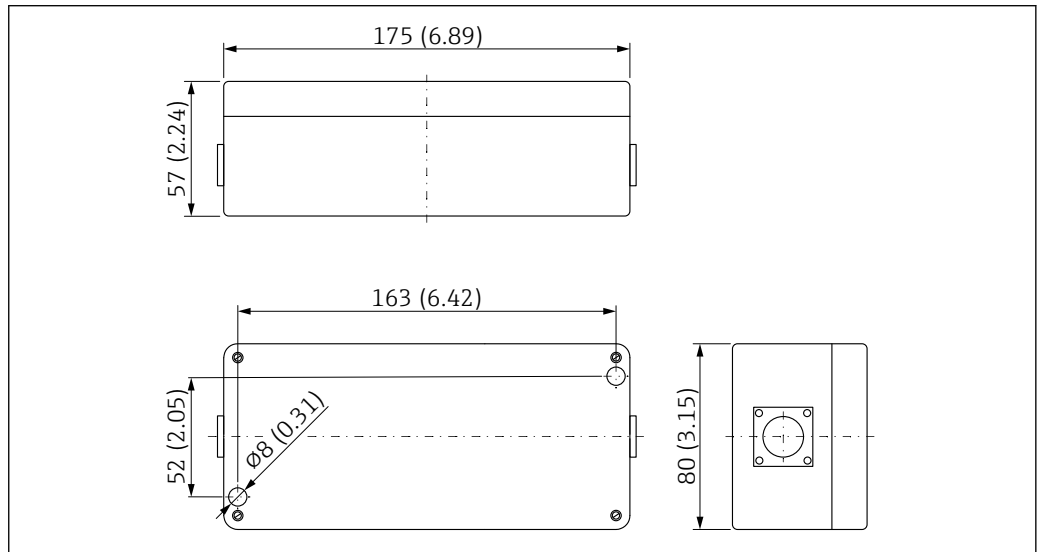
A0044199

 10 Visualization of device designs


- A Transmitter
- B Two-rod sensor, round design
- C Two-rod sensor, wedge-shaped design

### Dimensions

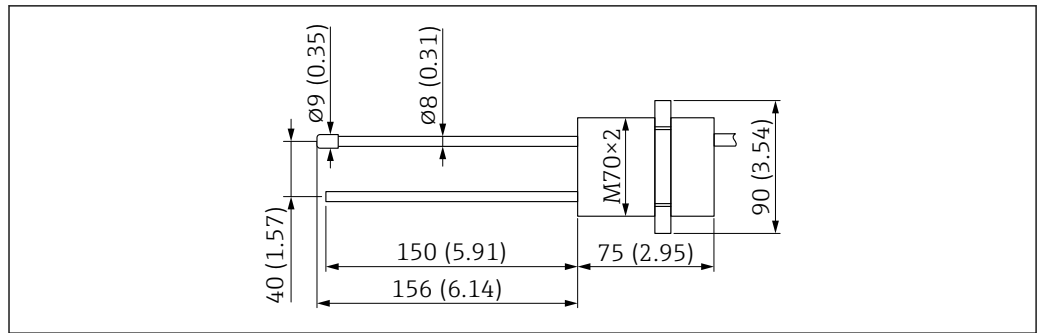
#### Transmitter



A0044492

 11 Transmitter dimensions. Unit of measurement mm (in)

### Two-rod sensor, round design



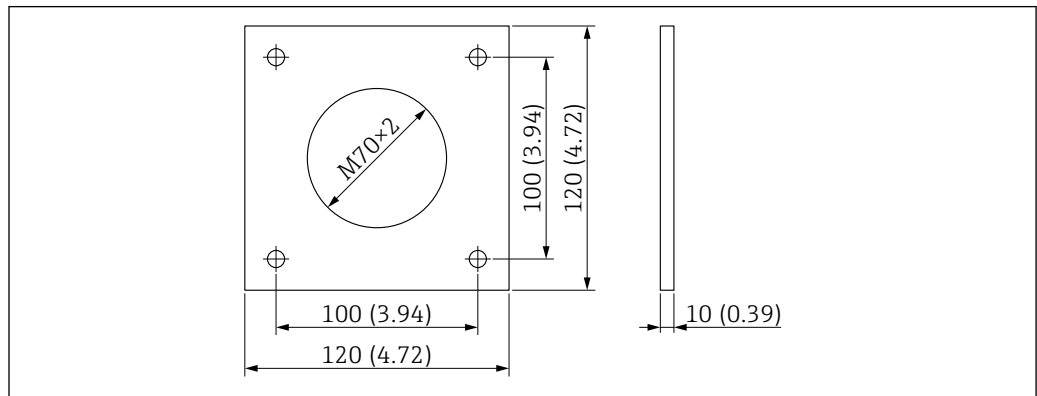
A0040863

12 Dimensions of two-rod sensor, round design. Unit of measurement mm (in)

### Mounting plate

The aluminum mounting plate, which is suitable for the round two-rod sensor, can be ordered via the product structure, "Process connection" feature.

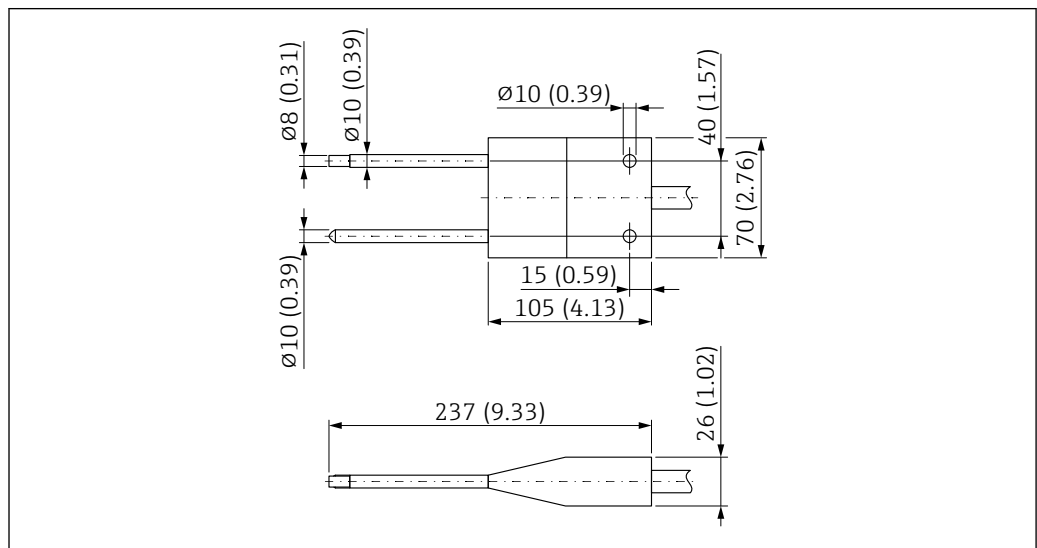
Suitable lock nuts are included in the delivery.



A0040862

13 Dimensions of the aluminum mounting plate for the round two-rod sensor. Unit of measurement mm (in)

### Two-rod sensor, wedge-shaped design



A0040851

14 Dimensions of the two-rod sensor, wedge-shaped design. Unit of measurement mm (in)

**Weight****Transmitter**

Weight without packaging and accessories:  
1 kg (2.2 lb)

**Two-rod sensor, round design**

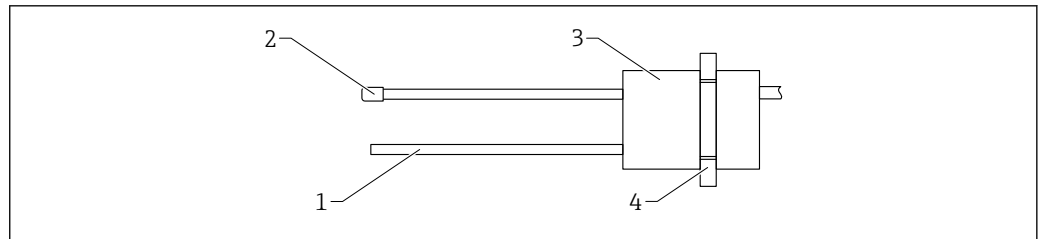
Weight without packaging and accessories:  
0.3 kg (0.66 lb)

**Two-rod sensor, wedge-shaped design**

Weight without packaging and accessories:  
0.25 kg (0.55 lb)

**Materials****Transmitter housing**

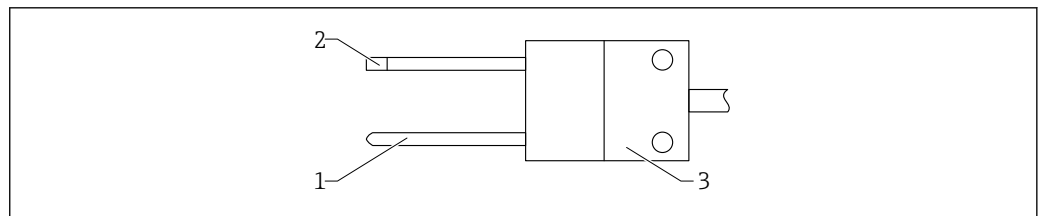
Cast aluminum

**Two-rod sensor, round design**

A0045840

15 Material of two-rod sensor, round design

- 1 Measuring rod = V2A
- 2 Temperature sensor, PEEK coated
- 3 Probe body = PEEK
- 4 Gland = aluminum

**Two-rod sensor, wedge-shaped design**

A0045841

16 Material of two-rod sensor, wedge-shaped design

- 1 Probe rods = V2A, PEEK coated
- 2 Temperature sensor, PEEK coated
- 3 Probe head = PEEK

**Certificates and approvals**

Current certificates for the product are available on the product page at [www.endress.com](http://www.endress.com).

1. Select the product using the filters and search field.
2. Open the product page.
3. Select **Downloads**.
4. Select **Technical Documentation**.
5. Select **ZE (Certificates)** as the filter

A list of all the certificates appears.

Current approvals for the product are available on the product page at [www.endress.com](http://www.endress.com).

1. Select the product using the filters and search field.
2. Open the product page.
3. Select **Downloads**.
4. Select **Approvals**.

A list of all the approvals appears.

## Ordering information

Detailed ordering information is available from the nearest sales organization [www.addresses.endress.com](http://www.addresses.endress.com) or in the Product Configurator under [www.endress.com](http://www.endress.com):

1. Select the product using the filters and search field.
2. Open the product page.

The **Configuration** button opens the Product Configurator.



### Product Configurator - the tool for individual product configuration

- Up-to-the-minute configuration data
- Depending on the device: Direct input of measuring point-specific information such as measuring range or operating language
- Automatic verification of exclusion criteria
- Automatic creation of the order code and its breakdown in PDF or Excel output format
- Ability to order directly in the Endress+Hauser Online Shop

## Accessories

### Device-specific accessories

Temperature sensor protection cap, 1.4301

Application: rice, abrasive bulk solids

## Documentation

The following types of documentation are available in the Download Area of the Endress+Hauser website ([www.endress.com/downloads](http://www.endress.com/downloads)):



For an overview of the scope of the associated Technical Documentation, refer to the following:

- *W@M Device Viewer* ([www.endress.com/deviceviewer](http://www.endress.com/deviceviewer)): Enter the serial number from the nameplate
- *Endress+Hauser Operations App*: Enter the serial number from the nameplate or scan the matrix code on the nameplate

### Brief Operating Instructions (KA)

#### Guide that takes you quickly to the 1st measured value

The Brief Operating Instructions contain all the essential information from incoming acceptance to initial commissioning.

### Operating Instructions (BA)

#### Your reference guide

These Operating Instructions contain all the information that is required in various phases of the life cycle of the device: from product identification, incoming acceptance and storage, to mounting, connection, operation and commissioning through to troubleshooting, maintenance and disposal.



---

---

---



[www.addresses.endress.com](http://www.addresses.endress.com)

---