



# Special Documentation

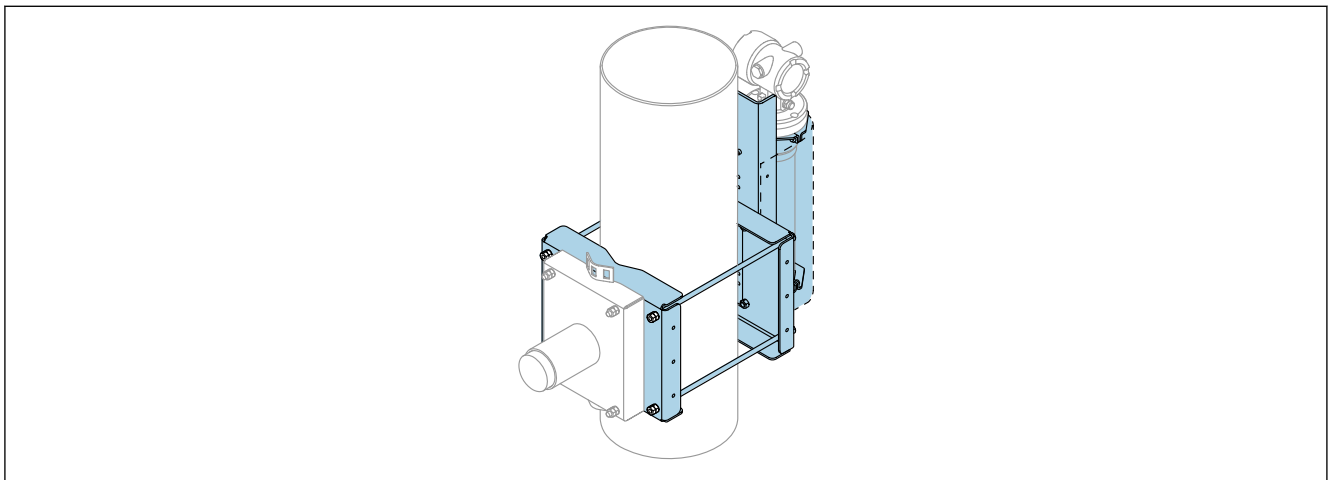
## Clamping device FHG51 for FQG60 with/without protective guard

For pipes with an outer diameter of 50 to 200 mm (2 to 8 in)

### Designated use

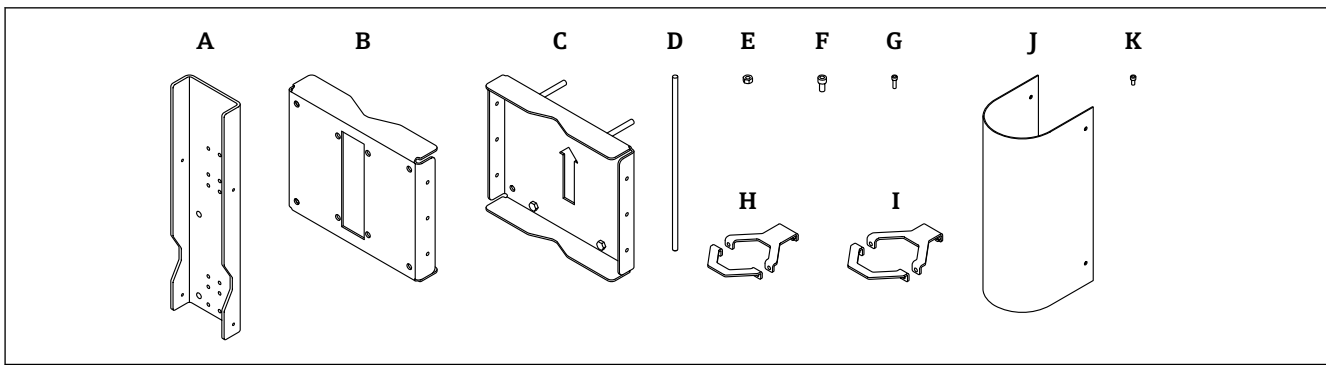
The clamping device FHG51 is used to secure a radiometric measuring system on pipes with an outer diameter of 50 to 200 mm (2 to 8 in).

The radiometric measuring system comprises an FQG60 source housing and the Gammapilot FMG50 compact transmitter.



A0044458

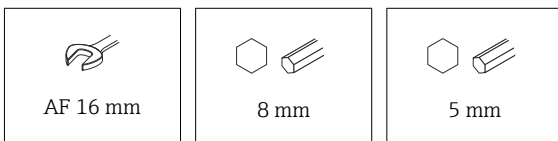
## Overview of clamping device



A0044327

- A** 1 × mounting plate; 142 mm (5.59 in)×620 mm (24.41 in)×50 mm (1.97 in), 316L (1.4404)  
**B** 1 × retaining plate FMG50; 350 mm (13.78 in)×285 mm (11.22 in)×60 mm (2.36 in), 316L (1.4404)  
**C** 1 × retaining plate FQG60; 350 mm (13.78 in)×285 mm (11.22 in)×60 mm (2.36 in), 316L (1.4404)  
**D** 4 × threaded rod DIN976-1 M10×400, A4  
**E** 28 × nut ISO4032 M10, A4  
**F** 4 × screw ISO4762 M10×20, A4  
**G** 8 × screw ISO4762 M6×20, A4  
**H** 1 × pipe bracket Ø80 mm (3.15 in), 316L (1.4404)  
**I** 1 × pipe bracket Ø95 mm (3.74 in), 316L (1.4404)  
**J** 1 × protective guard cover; 148 mm (5.83 in)×400 mm (15.75 in)×189 mm (7.44 in), 316L (1.4404) (optional)  
**K** 4 × screw ISO4762 M6×10, A4 (optional)

## Tools list



## Safety instructions

### ⚠ CAUTION

#### Heavy components and devices

Risk of injury, damage to equipment

- ▶ Use hoists

### ⚠ CAUTION

#### Protruding threaded rods

Risk of injury

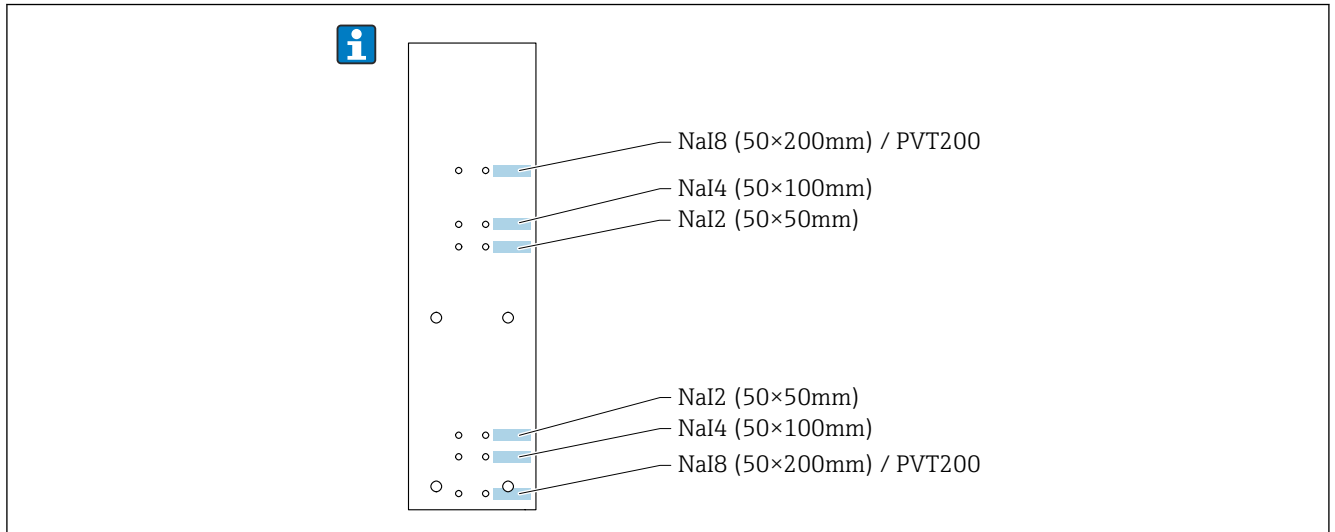
- ▶ After installation, shorten any protruding threaded rods

## Installation



- At least two people are required for the installation
- Pay attention to the mounting position of the Gammapilot FMG50.

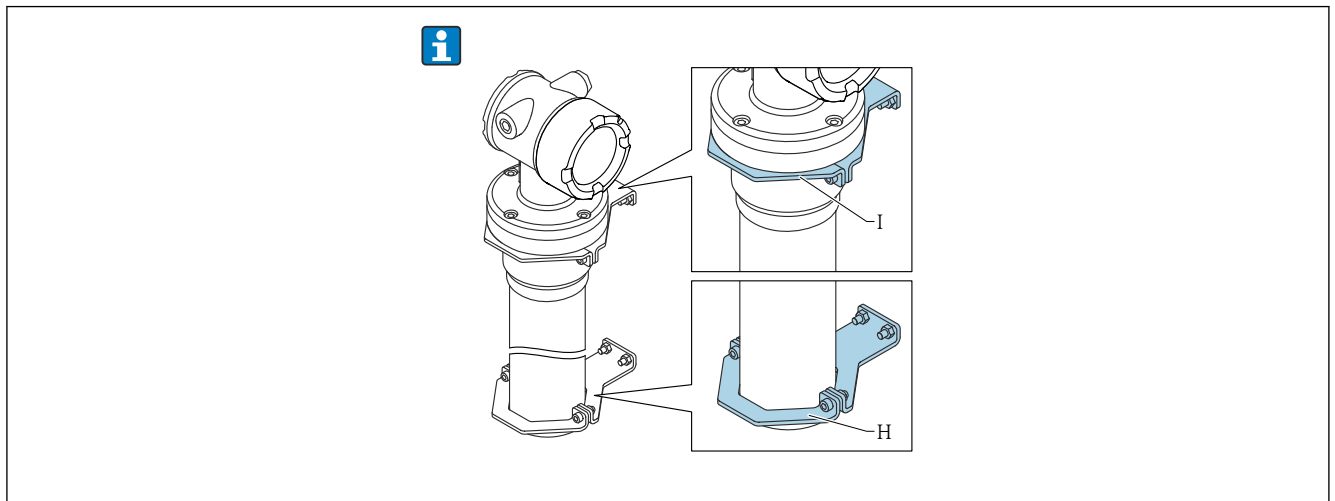
### Mounting position of Gammapilot FMG50



A0044330

1 Mounting position of Gammapilot

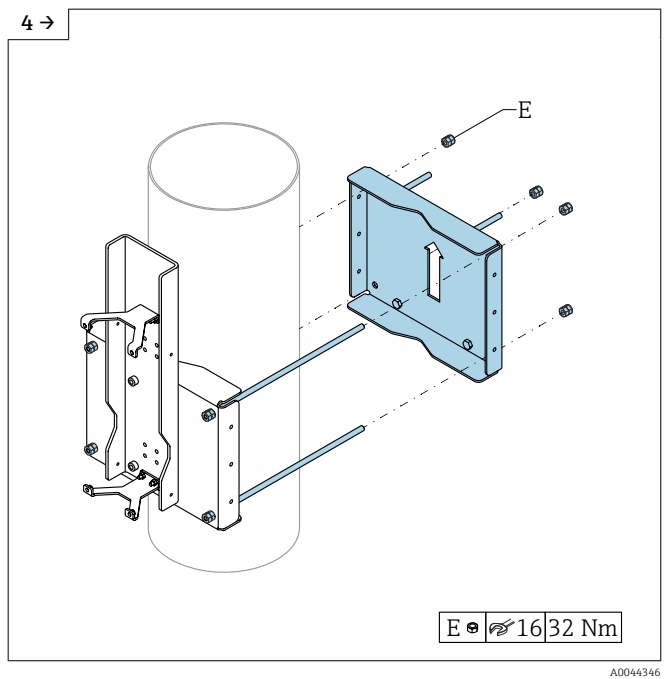
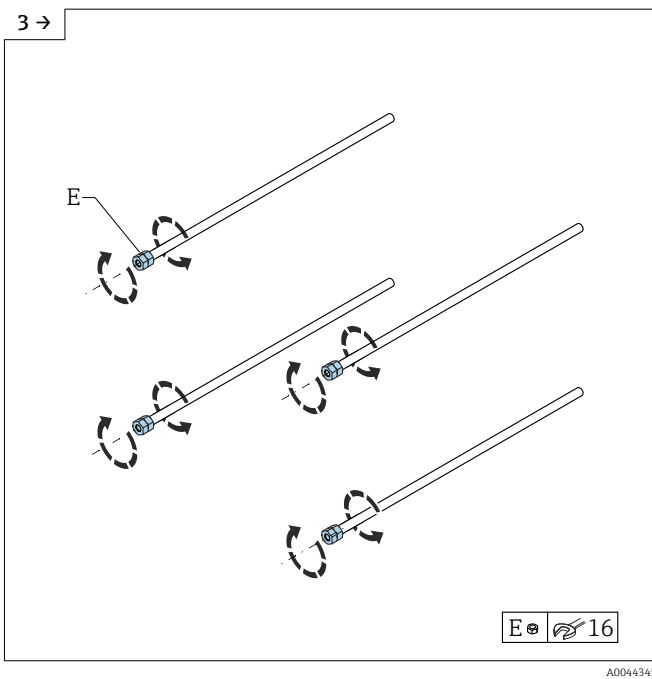
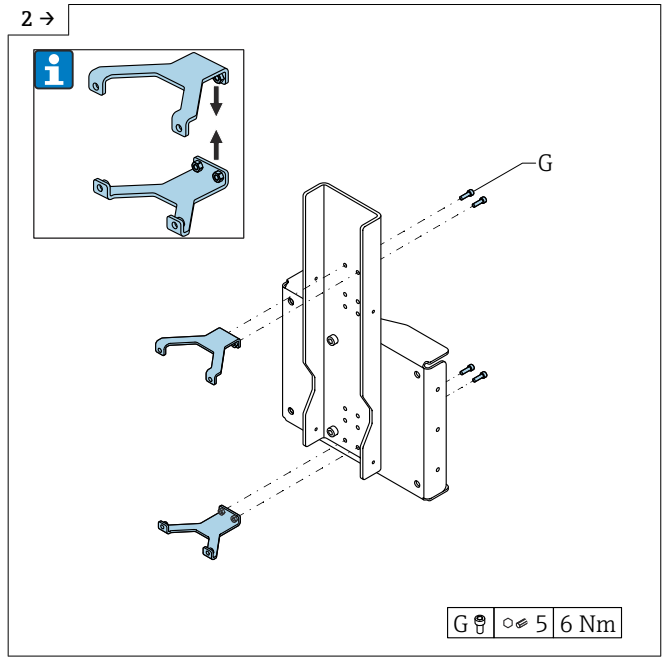
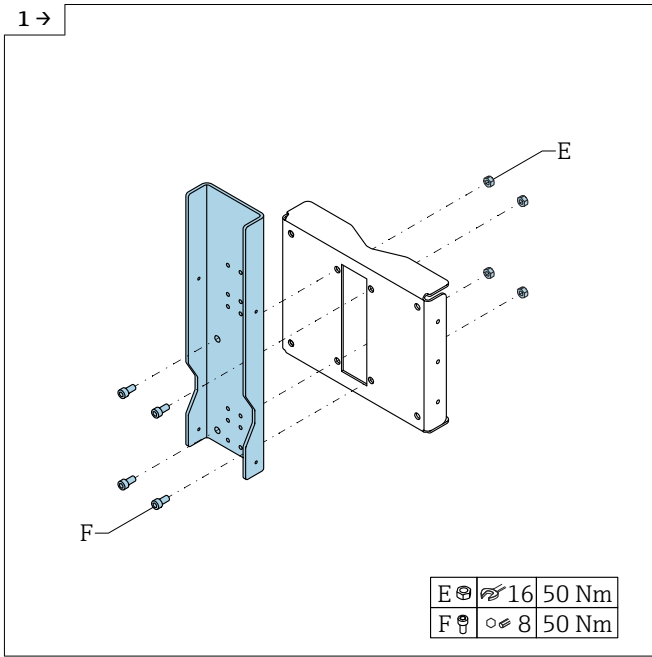
### Mounting position of pipe bracket

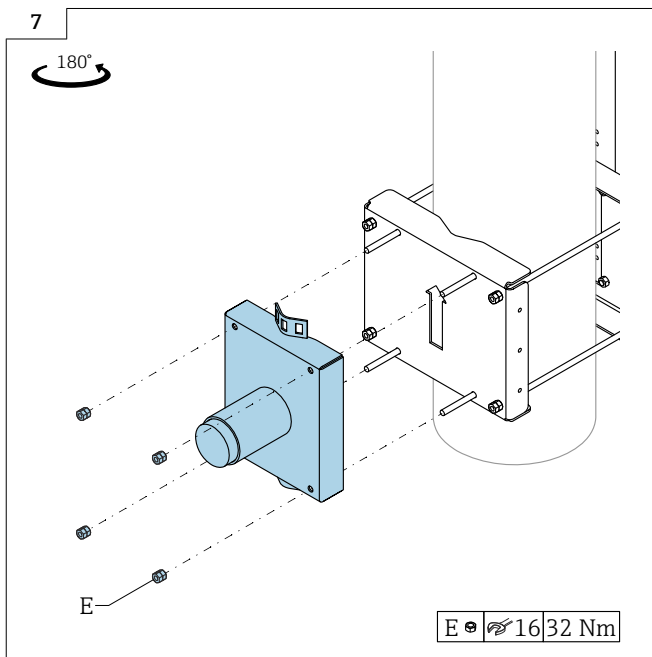
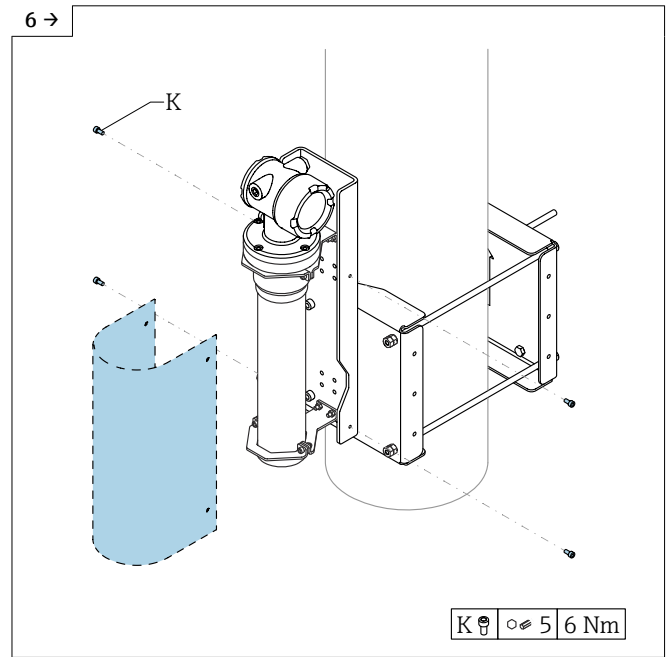
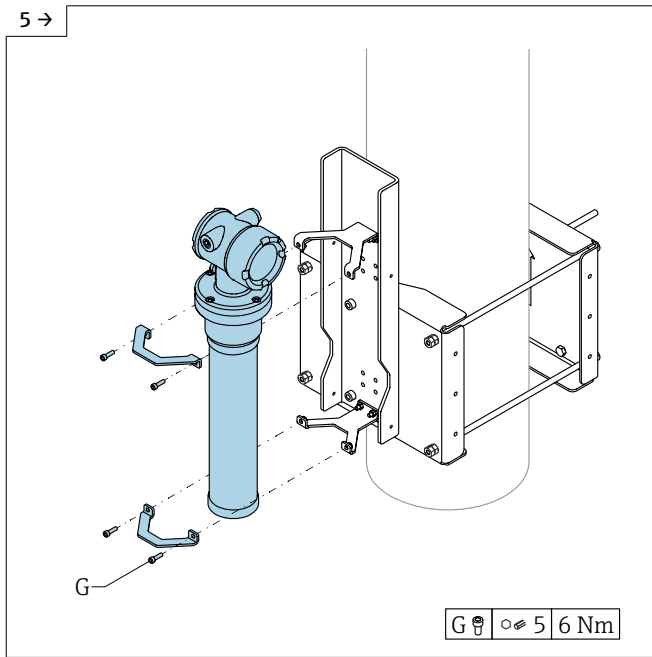


A0044331

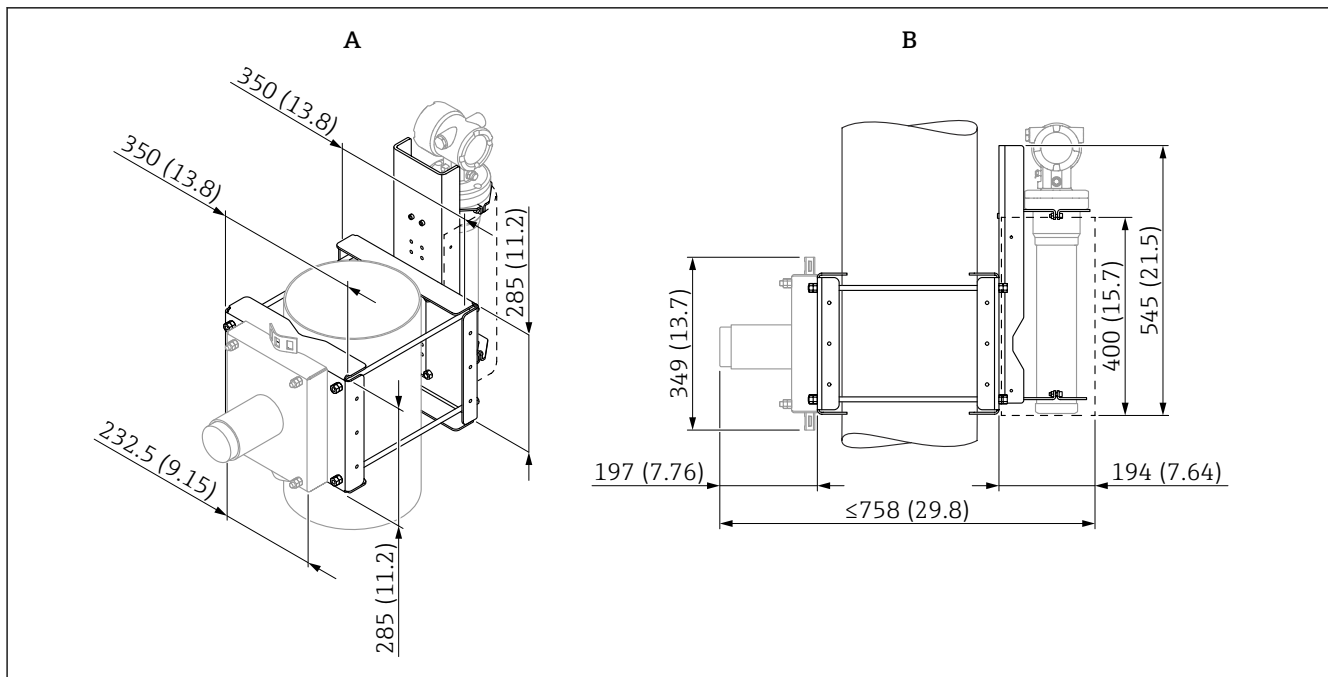
2 Mounting position of pipe bracket: FMG50 sensor - NaI, PVT200

Installation steps





## Dimensions and weight



A0044353

A Product dimensions

B Maximum required installation space; less space may be required depending on the device selected

Weight: approx. 21 kg (excluding Gammapilot FMG50 and source housing)

## Supplementary documentation

The following supplementary documentation is available in the Download Area of the Endress+Hauser website ([www.endress.com/downloads](http://www.endress.com/downloads)):

### Gammapilot FMG50



BA01966F

### Source housing FQG60



TI00445F