


Safety Instructions

RIA14

1Ex d IIC T6/T5/T4 Gb



Document: XA02268R

Safety instructions for electrical apparatus for explosion-hazardous areas →  3

RIA14

Table of contents

Associated documentation	4
Supplementary documentation	4
Certificates	4
Manufacturer address	4
Safety instructions: Installation	4
Temperature tables	5
Electrical connection data	5

Associated documentation

This document is an integral part of the following Operating Instructions:

- Operating instructions: BA00278R/09
- Brief operating instructions: KA00277R/09
- Technical information: TI00143R/09

Supplementary documentation

Explosion-protection brochure: CP00021Z/11

The Explosion-protection brochure is available: In the download area of the Endress+Hauser website: www.endress.com → Download → Advanced → Documentation code: CP00021Z

Certificates**EAC certificate of conformity**

- Certification body: Ex НИИ
- Certificate number: EAЭС RU C-DE.AA87.B.00247/19

Affixing the certificate number certifies conformity with the following standards:

- GOST 31610.0
- GOST IEC 60079-1

Manufacturer address

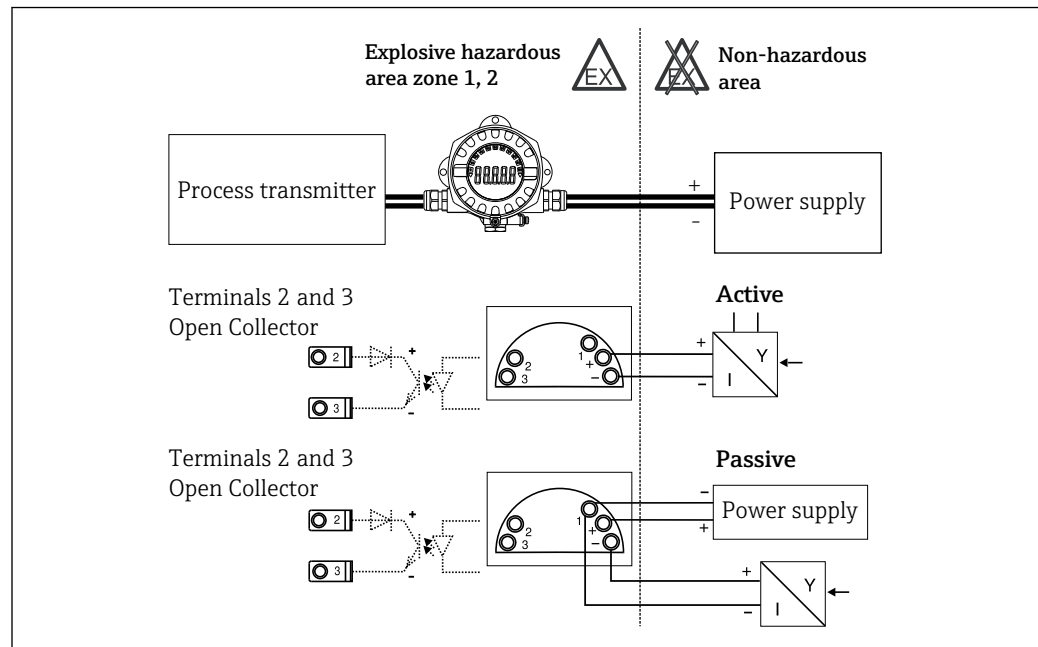
Endress+Hauser Wetzler GmbH + Co KG

Obere Wank 1

D-87484 Nesselwang

Germany

Phone: +49 (0)8361 308 0

**Safety instructions:
Installation**

A0012490-EN

1 Installation of the field indicator

Type of protection flameproof

- Install the device according to the manufacturer's instructions and any other valid standards and regulations.
- The temperature field transmitter is to be connected using suitable cable glands and wire entries of protectiontype Pressure-tight Enclosure "d".
- Before commissioning the threaded end cap must be fitted tightly and secured using the securing screws tightened.
- Only use approved wire entries according to EN60079-14 chapter 10.3.
- Entry glands not used must be closed according to EN 50018 chapter 11.9.

Temperature tables

Type	Temperature class	Ambient temperature
RIA14	T6	-40 to 55 °C
	T5	-40 to 70 °C
	T4	-40 to 80 °C

Electrical connection data

Type	Electrical data	
RIA14	Power supply (terminals + and -)	U ≤ 35 V _{DC} I ≤ 200 mA P ≤ 3 W
	Open Collector (terminals 2 and 3)	U ≤ 35 V _{DC} I ≤ 100 mA P ≤ 875 mW





71502621

www.addresses.endress.com
