


Safety Instructions

RIA14, RIA16

Ex ib [ia Ga] IIC T4/T5/T6 Gb



Document: XA02237K

Safety instructions for electrical apparatus certified for use in explosion-hazardous areas. →  3

RIA14, RIA16

Table of contents

Associated documentation	4
Supplementary Documentation	4
NEPSI Certificate of conformity	4
Safety instructions	4
Safety instructions: Installation	5
Temperature tables	6
Electrical connection data	6

Associated documentation

This document is an integral part of the following Operating Instructions:

- RIA14:
BA00278R/09
- RIA16:
BA00280R/09

The Operating Instructions pertaining to the device apply.

Supplementary Documentation

The Explosion-protection brochure is available:

In the download area of the Endress+Hauser website:

www.endress.com -> Downloads -> "Brochures and catalogs" -> Text Search: CP00021Z

NEPSI Certificate of conformity

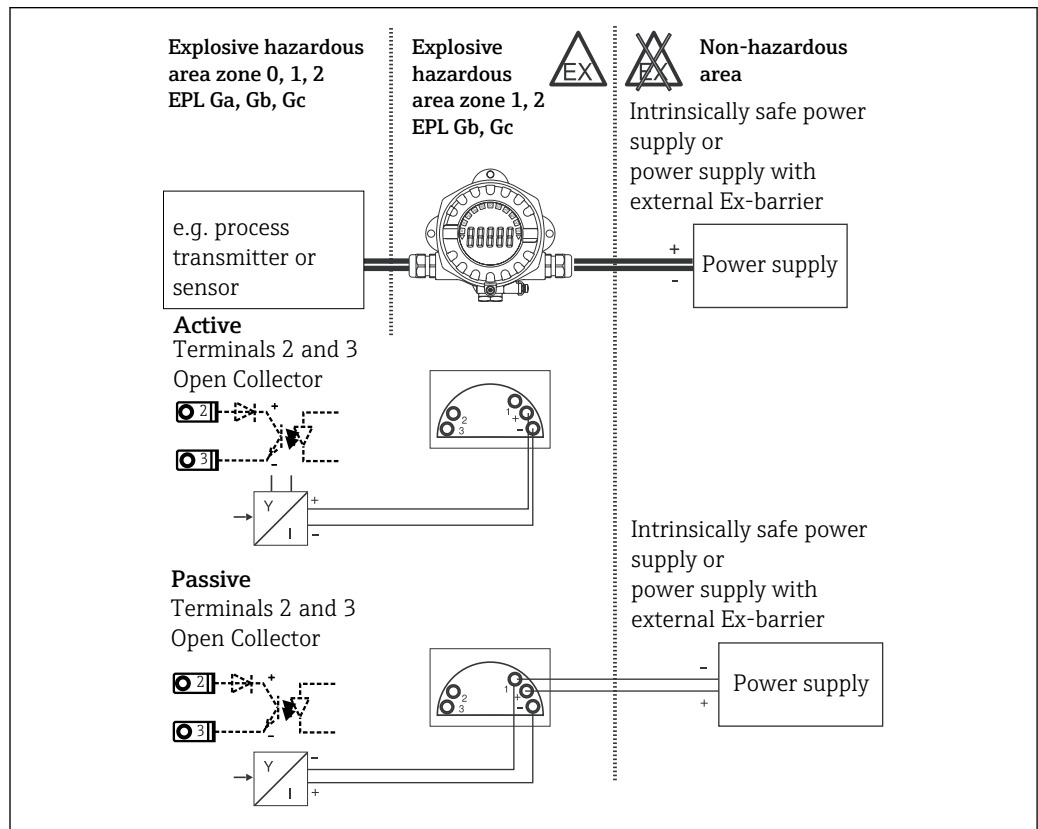
Certificate number: GYJ20.1355X

Affixing the certificate number certifies conformity with the following standards (depending on the device version):

- GB 3836.1-2010
- GB 3836.2-2010
- GB 3836.4-2010
- GB 3836.20-2010

Safety instructions

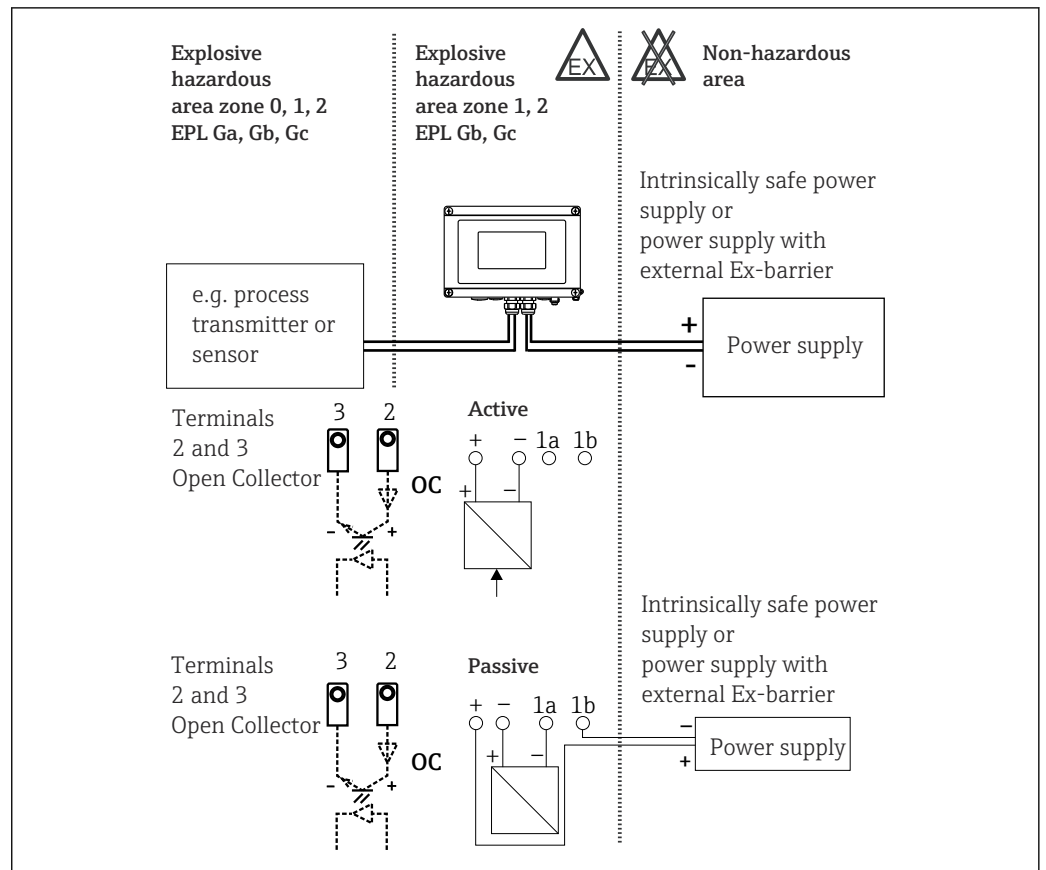
RIA14



A0012538-EN

1 Installation of the field indicator

RIA16



A0012534-EN

2 Installation of the field indicator

Safety instructions: Installation

- Install the device according to the manufacturer's instructions and any other valid standards and regulations.
- When interconnecting the rules and regulations for such intrinsically safe circuits must adhered to.
- The field display must be installed so, that even in the event of rare incidents, an ignition source due to impact or friction between the enclosure and iron/steel is excluded.
- The external earth connection facility should be connected reliably.
- For Ex ib product, it should be used in explosive gas atmospheres together with approved associated apparatus, follow the instruction manual of this product and associated apparatus when connecting the wiring. Connect the wiring terminals correctly. Connecting cable between the product and associated apparatus should be insulated screen cable; connect the cable screen functionally to earth ground.
- The user shall not change the configuration in order to maintain/ensure the explosion protection performance of the equipment. Any change may impair safety.
- For installation, use and maintenance of this product, the end user shall observe the instruction manual and the following standards:
 - GB 50257-2014 "Code for construction and acceptance of electric device for explosion atmospheres and fire hazard electrical equipment installation engineering".
 - GB 3836.13-2013 "Explosive atmospheres- Part 13: Equipment repair, overhaul and reclamation".
 - GB/T 3836.15-2017 "Explosive atmospheres- Part 15: Electrical installations design, selection and erection".
 - GB/T 3836.16-2017 "Explosive atmospheres- Part 16: Electrical installations inspection and maintenance".
 - GB/T 3836.18-2017 "Explosive atmospheres-Part 18: Intrinsically safe electrical systems".

Temperature tables

Type	Temperature class	Ambient temperature
RIA14	T6	-40 to 50 °C
	T5	-40 to 60 °C
	T4	-40 to 85 °C
RIA16	T6	-40 to 50 °C
	T5	-40 to 60 °C
	T4	-40 to 85 °C

Electrical connection data

Type	Electrical data	
RIA14, RIA16	Power supply (Terminals + and -, + and 1)	$U_i = 30 V_{DC}$
		$I_i = 100 \text{ mA}$
		$P_i = 750 \text{ mW}$
		$L_i = 0 \text{ mH}$
		$C_i = 15.2 \text{ nF}$
	Open Collector (Terminals 2 and 3)	$U_i = 30 V_{DC}$
		$I_i = 100 \text{ mA}$
		$P_i = 375 \text{ mW}$
		$L_i = 0 \text{ mH}$
		$C_i = 0 \text{ nF}$



www.addresses.endress.com
