

Safety Instructions

Cerabar M

PMC51, PMP51, PMP55

4-20 mA HART, PROFIBUS PA, FOUNDATION Fieldbus

Ex ia IIC T3/T4/T6 Ga/Gb



Document: XA00533P-D

Safety instructions for electrical apparatus for explosion-hazardous areas →  3

Cerabar M PMC51, PMP51, PMP55

4-20 mA HART, PROFIBUS PA, FOUNDATION Fieldbus

Table of contents

Associated documentation	4
Supplementary documentation	4
Manufacturer's certificates	4
Manufacturer address	4
Extended order code	4
Safety instructions: General	5
Safety instructions: Special conditions	6
Safety instructions: Installation	6
Safety instructions: Zone 0	6
Temperature tables	7
Connection data	7

Associated documentation	<p>This document is an integral part of the following Operating Instructions:</p> <p>HART BA00382P/00</p> <p>PROFIBUS PA BA00383P/00</p> <p>FOUNDATION Fieldbus BA00384P/00</p>										
Supplementary documentation	<p>Explosion-protection brochure: CP00021Z/11</p> <p>The Explosion-protection brochure is available:</p> <ul style="list-style-type: none"> ■ In the download area of the Endress+Hauser website: www.endress.com -> Downloads -> Brochures and Catalogs -> Text Search: CP00021Z ■ On the CD for devices with CD-based documentation 										
Manufacturer's certificates	<p>NEPSI Declaration of Conformity</p> <p>Certificate number: GYJ20.1032</p> <p>Affixing the certificate number certifies conformity with the following standards (depending on the device version):</p> <ul style="list-style-type: none"> ■ GB3836.1-2010 ■ GB3836.4-2010 ■ GB3836.20-2010 										
Manufacturer address	<p>Endress+Hauser SE+Co. KG Hauptstraße 1 79689 Maulburg, Germany Address of the manufacturing plant: See nameplate.</p>										
Extended order code	<p>The extended order code is indicated on the nameplate, which is affixed to the device in such a way that it is clearly visible. Additional information about the nameplate is provided in the associated Operating Instructions.</p> <p>Structure of the extended order code</p> <table border="0" style="width: 100%; text-align: center;"> <tr> <td style="width: 30%;">PMC51, PMP5x</td> <td style="width: 10%;">–</td> <td style="width: 30%;">*****</td> <td style="width: 10%;">+</td> <td style="width: 20%;">A*B*C*D*E*F*G*..</td> </tr> <tr> <td><i>(Device type)</i></td> <td></td> <td><i>(Basic specifications)</i></td> <td></td> <td><i>(Optional specifications)</i></td> </tr> </table> <p>* = Placeholder At this position, an option (number or letter) selected from the specification is displayed instead of the placeholders.</p> <p><i>Basic specifications</i></p> <p>The features that are absolutely essential for the device (mandatory features) are specified in the basic specifications. The number of positions depends on the number of features available. The selected option of a feature can consist of several positions.</p> <p><i>Optional specifications</i></p> <p>The optional specifications describe additional features for the device (optional features). The number of positions depends on the number of features available. The features have a 2-digit structure to aid identification (e.g. JA). The first digit (ID) stands for the feature group and consists</p>	PMC51, PMP5x	–	*****	+	A*B*C*D*E*F*G*..	<i>(Device type)</i>		<i>(Basic specifications)</i>		<i>(Optional specifications)</i>
PMC51, PMP5x	–	*****	+	A*B*C*D*E*F*G*..							
<i>(Device type)</i>		<i>(Basic specifications)</i>		<i>(Optional specifications)</i>							

of a number or a letter (e.g. J = Test, Certificate). The second digit constitutes the value that stands for the feature within the group (e.g. A = 3.1 material (wetted parts), inspection certificate).

More detailed information about the device is provided in the following tables. These tables describe the individual positions and IDs in the extended order code which are relevant to hazardous locations.

Extended order code: Cerabar M

Device type

PMC51, PMP51, PMP55

Basic specifications

Position 1, 2 (Approval)		
Selected option		Description
PMC51	NA	NEPSI Ex ia IIC T3/T4/T6 Ga/Gb
PMP5x		

Position 3 (Output)		
Selected option		Description
PMC51	2	4-20 mA HART
PMP5x	3	PROFIBUS PA
	4	FOUNDATION Fieldbus

Optional specifications

No options specific to hazardous locations are available.

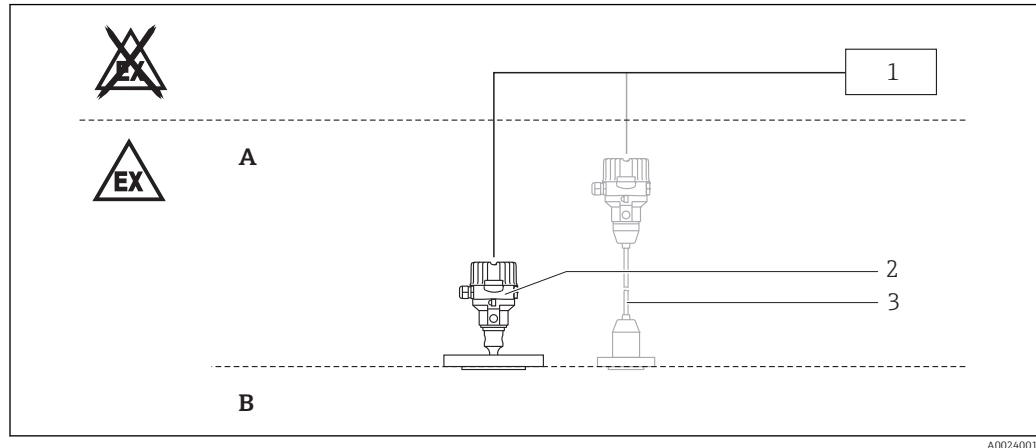
Safety instructions: General

- Comply with the installation and safety instructions in the Operating Instructions.
- Staff must meet the following conditions for mounting, electrical installation, commissioning and maintenance of the device:
 - Be suitably qualified for their role and the tasks they perform
 - Be trained in explosion protection
 - Be familiar with national regulations
- Install the device according to the manufacturer's instructions and national regulations.
- For installation, use and maintenance of the device, users must also observe the requirements stated in the Operating Instructions and the standards:
 - GB 50257-2014: "Code for construction and acceptance of electric device for explosion atmospheres and fire hazard electrical equipment installation engineering".
 - GB 3836.13-2013: "Explosive atmospheres, Part 13: Equipment repair, overhaul and reclamation".
 - GB/T 3836.15-2017: "Explosive atmospheres, Part 15: Electrical installations design, selection and erection".
 - GB/T 3836.16-2017: "Explosive atmospheres, Part 16: Electrical installations inspection and maintenance".
 - GB/T 3836.18-2017: "Explosive atmospheres, Part 18: Intrinsically safe electrical systems".
- Only use the device in media to which the wetted materials have sufficient durability.
- Avoid electrostatic charging:
 - Of plastic surfaces (e.g. housing, sensor element, special varnishing, attached additional plates, ..)
 - Of isolated capacities (e.g. isolated metallic plates)

**Safety instructions:
Special conditions**

- In the case of process connections made of polymeric material or with polymeric coatings, avoid electrostatic charging of the plastic surfaces.
- For light metal flanges or flange faces (e.g. titanium, zirconium), avoid sparks caused by impact and friction.
- In the event of additional or alternative special varnishing on the housing or other metal parts:
 - Observe the danger of electrostatic charging and discharge.
 - Do not rub surfaces with a dry cloth.

**Safety instructions:
Installation**



- A Zone 1, Electronic
 B Zone 0, Process
 1 Certified associated apparatus
 2 PMC51, PMP51, PMP55
 3 Option: Separate housing

After aligning (rotating) the housing, retighten the fixing screw.

Intrinsic safety

- When the device is connected to an intrinsically safe circuit Ex ib, the type of protection changes to Ex ib. Do not operate intrinsically safe circuits Ex ib in Zone 0.
- When the device is connected to an intrinsically safe circuit Ex ic, the type of protection changes to Ex ic. Do not operate intrinsically safe circuits Ex ic in Zone 0 or Zone 1.
- The intrinsically safe input power circuit of the device is isolated from ground. The dielectric strength is at least 500 V_{rms}.

Service connection

Basic specification, Position 3 (Output) = 2

- For service operations: connect the Commubox FXA195 (from Endress+Hauser) to the display socket.
- Observe the safety instructions of the Commubox.

Safety instructions: Zone 0

- In the event of potentially explosive vapor/air mixtures, only operate the device under atmospheric conditions.
 - Temperature: -20 to +60 °C
 - Pressure: 80 to 110 kPa (0.8 to 1.1 bar)
 - Air with normal oxygen content, usually 21 % (V/V)
- If no potentially explosive mixtures are present, or if additional protective measures have been taken, the device may also be operated under non-atmospheric conditions in accordance with the manufacturer's specifications.
- Associated devices with galvanic isolation between the intrinsically safe and non-intrinsically safe circuits are preferred.

For Device type PMC51, the following also applies:

For installations which require overvoltage protection to comply with national regulations or standards, install the device using overvoltage protection (e.g. HAW56x from Endress+Hauser).

Temperature tables

Type of protection	Temperature class	Process temperature T_p (process)	Ambient temperature T_a (ambient): housing
Ex ia IIC T3/T4/T6 Ga/Gb	T6	$\leq 80\text{ }^\circ\text{C}$	$-40\text{ }^\circ\text{C} \leq T_a \leq +40\text{ }^\circ\text{C}$
	T4	$\leq 125\text{ }^\circ\text{C}$	$-40\text{ }^\circ\text{C} \leq T_a \leq +70\text{ }^\circ\text{C}$
	T3 ¹⁾	$\leq 150\text{ }^\circ\text{C}$	$-40\text{ }^\circ\text{C} \leq T_a \leq +70\text{ }^\circ\text{C}$

1) At Device type PMC51 and PMP51 acc. nameplate



Device type PMC51, PMP51

- The process temperatures refer to the temperature at the separation membrane.
- Do not exceed the max. ambient temperature at the housing.

Device type PMP55

- Higher temperatures are permitted depending on the type of diaphragm seal.
- Do not exceed the max. ambient temperature at the housing.

Connection data

Basic specification, Position 3 (Output) = 2

Power supply
$U_i \leq 30\text{ V}_{DC}$ $I_i \leq 300\text{ mA}$ $P_i \leq 1\text{ W}$ $C_i \leq 10\text{ nF}$ $L_i = 0$

Basic specification, Position 3 (Output) = 3, 4

Power supply	
FISCO	Entity
$U_i \leq 17.5\text{ V}_{DC}$ $I_i \leq 500\text{ mA}$ $P_i \leq 5.5\text{ W}$ $C_i \leq 5\text{ nF}$ $L_i \leq 10\text{ }\mu\text{H}$	$U_i \leq 24\text{ V}_{DC}$ $I_i \leq 250\text{ mA}$ $P_i \leq 1.2\text{ W}$ $C_i \leq 5\text{ nF}$ $L_i \leq 10\text{ }\mu\text{H}$



71477785

www.addresses.endress.com
