

Special Documentation

CY42

Liquiline DAT module



1 DAT module

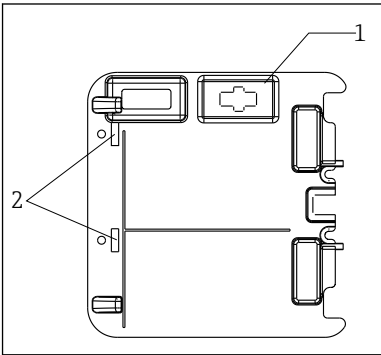
1.1 DAT types

There are 3 different types of DAT module

- SystemDAT (CY42-S1):
Firmware updates (more recent firmware version) and change of language package
- FunctionDAT (CY42-F1/F2):
For firmware upgrades
 - F1: for 2 current outputs
 - F2: for additional functionalities (only "Advanced" firmware package)
- CopyDAT (CY42-C1):
Memory for own configurations and for copying own configurations to other CM42 devices

1.2 Using the DAT

1.



Insert the DAT module into the right-hand slot (item 1) in the housing cover.

- ↳ If the cover does not have a suitable opening for a DAT module (item 1), release the retaining clips (item 2) and remove the cover. Fit and secure the cover again after using the DAT module.

2. Select the desired function from the DAT menu.

3. Follow the instructions on the screen until the prompt to restart the device appears.

4. If changing the hardware: connect the new hardware (other sensor type or other sensor module with the relevant cable and sensor).

5. Remove the DAT module from the slot.

1.3 DAT functions

1.3.1 SystemDAT

A SystemDAT is used for:

Firmware updates

Devices from May 2006 (serial number 85...) to May 2009 (serial number C5...):

1. Disconnect the device from the power supply.
2. Insert the SystemDAT.
3. Start the device and following the instructions on the screen.

Devices from June 2009 (serial number C6...) or after:

1. Insert the SystemDAT during operation.
2. **SETUP/DAT menu/SystemDAT** Open .
3. Select "**Update**" and follow the instructions on the screen.



Devices up to May 2006: DAT modules are not supported

Changing the language

1. **SETUP/DAT menu/SystemDAT** Open .
2. Select "**Language**" and follow the instructions on the screen.

1.3.2 FunctionDAT

A FunctionDAT is used to extend the functionality of your Liquiline M CM42. There are two different types of FunctionDAT:

- Upgrade from one to two current outputs
- Upgrade from the "Basic" to the "Advanced" firmware version.

1. **SETUP/DAT menu/FunctionDAT** Open .
2. Follow the instructions on the screen.

1.3.3 CopyDAT

A CopyDAT is used to save and load configurations.

1. **SETUP/DAT menu/CopyDAT** Open .
2. Follow the instructions on the screen.

1.4 DAT menu

SETUP/DAT menu		
Function	Options	Info
SystemDAT	Each of the possible options listed here causes the device to reboot	
Display language	Selection <ul style="list-style-type: none"> ▪ English ▪ German ▪ French ▪ Polish ▪ Czech ▪ Spanish ▪ Dutch ▪ Italian ▪ Chinese ▪ Japanese ▪ Portuguese ▪ Russian ▪ Swedish ▪ Korean 	You can only change the second language of your device here. The new second language replaces the second language used up to now. It is not additionally installed. If you want to return to the original second language, you must do so using the DAT menu.
Update	Selection <ul style="list-style-type: none"> ▪ PH 02.xx.xx-xxxx ▪ COND 02.xx.xx-xxxx ▪ DO 02.xx.xx-xxxx 	Choice of software packages, and the software package version, available on the SystemDAT. Only use this function to update the current software package. If you also want to change the sensor type, select the "Sensor type" option.
FunctionDAT	Depending on the FunctionDAT type: <ul style="list-style-type: none"> ▪ CY42-F1 2nd current output ▪ CY42-F2 Software extension 	Displays the possible function extensions A FunctionDAT can only be used for one device.
CopyDAT	Selection <ul style="list-style-type: none"> ▪ Read from DAT ▪ Write to DAT 	Displays information already saved You can now save the current configuration or upload a saved configuration from the DAT.



If you change your sensor type or the software package, your Operating Instructions will not match the new software. You can download the correct Operating Instructions as a pdf file at: www.endress.com/liquiline-documentation



71420031

www.addresses.endress.com
