


Installation Instructions


Conversion transmitter

Promag 50, 53 compact version

to Promag 55 compact version

Promag 50, 53, 55

EN Installation Instructions: EA00058D →  3

DE Einbauanleitung: EA00058D →  19

Converting Promag 50, 53 compact version to Promag 55 compact version

Promag 50, 53, 55

Table of contents


1	Overview of conversion kits	4
2	Transmitters that can be used for the conversion	4
3	Personnel authorized to carry out conversion	4
4	Safety instructions	5
5	Symbols used	6
6	Tools list	7
7	Preparatory steps: backing up device data	8
8	Converting Promag 50, 53 compact version to Promag 55compact version	9
9	Promag 50, Promag 55 parameter list	15
10	Settings dependent on mains frequency	17

1 Overview of conversion kits

The conversion instructions apply to the following conversion kits:

Procedure	Order code for conversion kit	Device component (contents)
Converting Promag 50, 53 compact version to Promag 55 compact version	DK5UP-7	1 × information sign for sensor 1 × form for archiving of data 1 × conversion instructions

2 Transmitters that can be used for the conversion

 Transmitters required for the conversion must be ordered separately. Only transmitters with the following order codes can be used:

	1	2	3	4	5	6	7	8	9	10	11	12	13	14	15	16	17	18
Order code Transmitter	5	5	X	X	X	-	X	X	X	X	X	A, R	A, B, P, R, 1, 2	*	*	*	*	*
Promag																		

3 Personnel authorized to carry out conversion

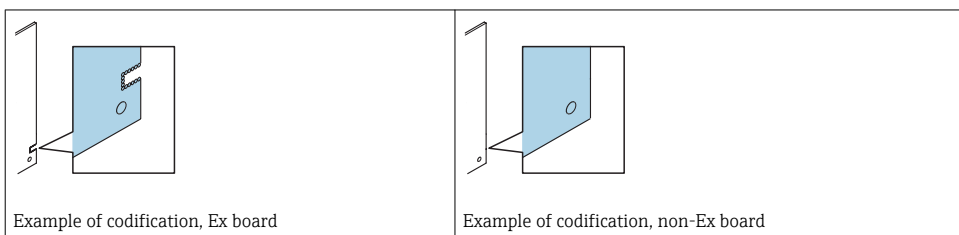
Authorization to carry out a conversion depends on the measuring device's approval type. The table below shows the authorized group of people in each case.

Measuring device approval	Personnel authorized to carry out modification ¹⁾
Without approval	2, 3
With approval (e.g. IECEx)	2, 3
For custody transfer	4


- 1) 1 = Qualified specialist on customer side, 2 = Service technician authorized by Endress+Hauser, 3 = Endress+Hauser (return measuring device to manufacturer)
4 = Check with local approval center if installation/modification must be performed under supervision.

4 Safety instructions

- Only use original parts from Endress+Hauser.
- Comply with national regulations governing mounting, electrical installation, commissioning, maintenance and device conversion procedures.
- The specialized technical staff involved in the mounting, electrical installation, commissioning, maintenance and modification of the measuring devices must meet the following requirements:
 - Specialized technical staff must be trained in instrument safety.
 - They must be familiar with the individual operating conditions of the devices.
 - In the case of Ex-certified measuring devices, they must also be trained in explosion protection.
- The measuring device is energized! Risk of fatal injury from electric shock. Open the measuring device only when the device is de-energized.
- When using Ex-certified measuring devices: open device only when in a de-energized state (allow 10 minutes to elapse after switching off the power supply) or in environments which do not have a potentially explosive atmosphere.
- For measuring devices in safety-related applications in accordance with IEC 61508 or IEC 61511: following modification, re-commission the device in accordance with the Operating Instructions. Document the modification.
- Before removing the device: set the process to a safe state and purge the pipe of dangerous process substances.
- Hot surfaces! Risk of injury! Before commencing work: allow the system and measuring device to cool down to a touchable temperature.
- In the case of devices in custody transfer, the custody transfer status no longer applies once the seal has been removed.
- The Operating Instructions for the device must be followed.
- Risk of damaging the electronic components! Ensure you have a working environment protected from electrostatic discharge.
- After removing the electronics compartment cover: risk of electrical shock due to missing touch protection!
Turn the measuring device off before removing internal covers.
- Only open the housing for a brief period. Avoid the penetration of foreign bodies, moisture or contaminants.
- Printed circuit boards for devices in categories II1G, II1D, II 2G, II 2D, Zone 1 and Class I, Div. 1, Gp. A, B, C, D have a recess / printed circuit board codification. Unauthorized breaking of this codification is not permitted as explosion protection will then no longer apply.







- Caution! When replacing the amplifier board, I/O board or submodules, ensure compatibility with the installed software. The procedure for reading out the software version number is described in the Operating Instructions (device functions). If the printed circuit board's software is not compatible, an update must be performed using an operating software tool (e.g. Field Care). Notify the plant operator in the event of functional changes.
- Replace defective seals only with original seals from Endress+Hauser.
- If threads are damaged or defective, the measuring device must be repaired.
- Threads (e.g. of the electronics compartment cover and connection compartment cover) must be lubricated if an abrasion-proof dry lubricant is not available. Use acid-free, non-hardening lubricant.
- If, during modification, spacing is reduced or the dielectric strength of the measuring device cannot be guaranteed, perform a test on completion of the work (e.g. high-voltage test in accordance with the manufacturer's instructions).
- Service plug:
 - Do not connect in explosive atmospheres.
 - Only connect to Endress+Hauser service devices.
- Observe the instructions for transporting and returning the device outlined in the Operating Instructions.





 If you have any questions, please contact your [Endress+Hauser service organization](#).

5 Symbols used

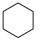






5.1 Safety symbols

Symbol	Meaning
	DANGER! This symbol alerts you to a dangerous situation. Failure to avoid this situation will result in serious or fatal injury.
	WARNING! This symbol alerts you to a dangerous situation. Failure to avoid this situation can result in serious or fatal injury.
	CAUTION! This symbol alerts you to a dangerous situation. Failure to avoid this situation can result in minor or medium injury.
	NOTE! This symbol contains information on procedures and other facts which do not result in personal injury.

5.2 Symbols for certain types of information


Symbol	Meaning
	Permitted Procedures, processes or actions that are permitted.
	Forbidden Procedures, processes or actions that are forbidden.
	Tip Indicates additional information.
	Series of steps

6 Tools list


 3 mm	 T20	 PH2	 0.5 x 3.5 mm	 Wire cutter
 Cable ties	 8 mm, 10 mm 22 mm	Acid-free, non-hardening lubricant	Pen/tool Ø < 2 mm (0.08 in)	

7 Preparatory steps: backing up device data

ConversionPromag 50

 Read out important device parameters from the application (e.g. using the "Commissioning" quick setup, Operating Instructions for the device), and enter them in the parameter list in section 9 . Following conversion, enter the noted parameters in the new transmitter.

ConversionPromag 53


 Saving transmitter parameters to the T-DAT using the "T-DAT SAVE/LOAD" function. Description of Device Functions or Operating Instructions, "Commissioning" section → data backup with "T-DAT save/load. After modifying the device, insert the T-DAT into the transmitter.

7.1 Overview of data storage (Histo-ROM) and F-CHIP

Data storage medium	Color	Promag 50 compact version to Promag 55 compact version	Promag 53 compact version to Promag 55 compact version
S-DAT	Blue	Reinstallation	Reinstallation
T-DAT	Black	New	Reinstallation
F-CHIP (optional)	Red	New	New

7.2 Applicable documentation

 The documentation that applies to the transmitter is the documentation for the Promag 55.

 The documentation that applies to the sensor is the documentation for the Promag 50, 53.

7.3 Conversion-related modifications and restrictions

Accuracy

Following conversion of the device, an additional inaccuracy of $\pm 0.2\%$ of the measured value is to be expected.

8 Converting Promag 50, 53 compact version to Promag 55compact version

8.1 Removing Promag 50, 53 transmitter

CAUTION

The measuring device is energized!

Risk of fatal injury from electric shock.

► Open the measuring device only when the device is deenergized.

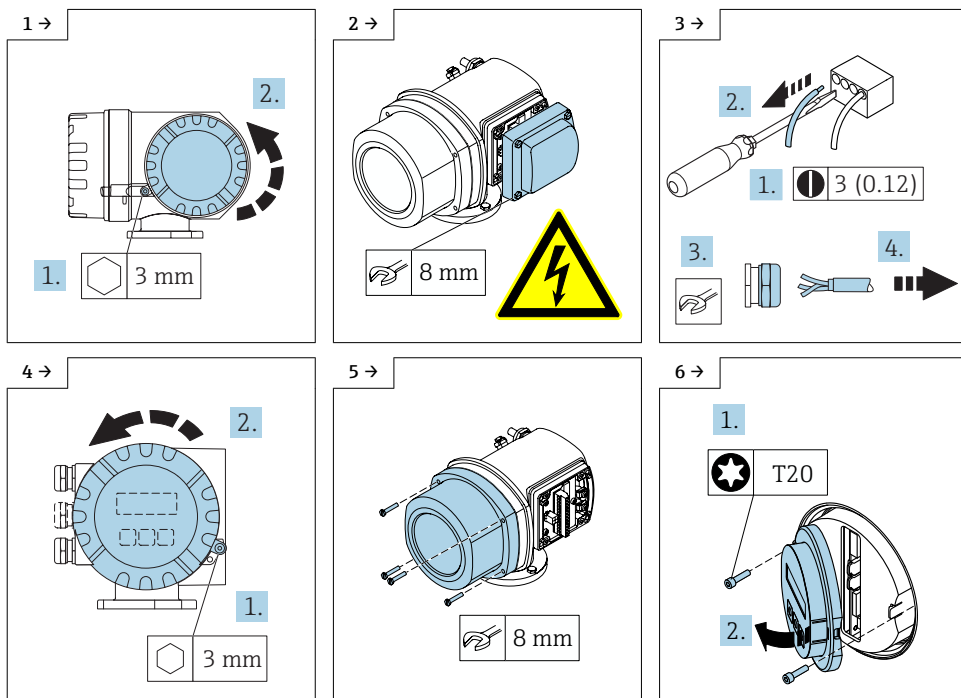
If, during conversion, spacing is reduced or the dielectric strength of the measuring device cannot be guaranteed, perform a test on completion of the work (e.g. high-voltage test in accordance with the manufacturer's instructions).

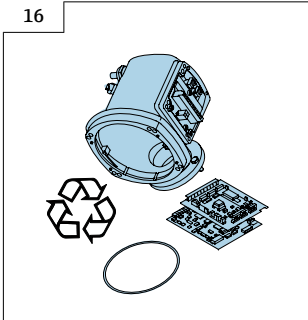
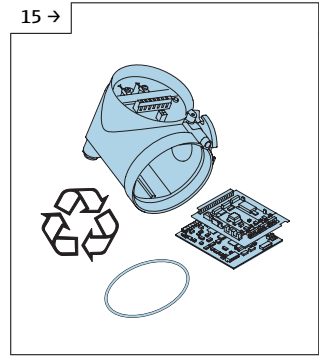
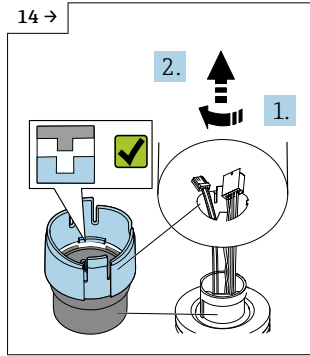
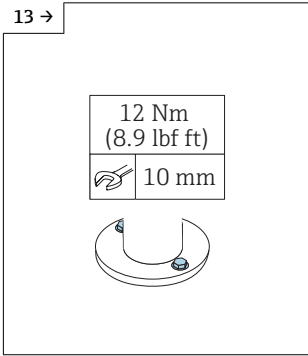
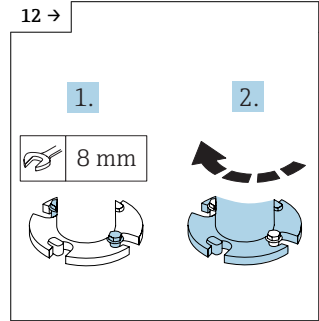
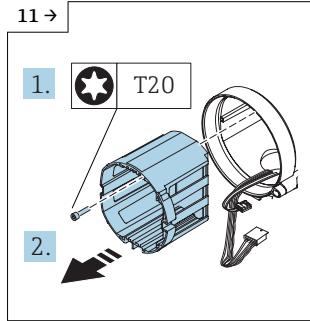
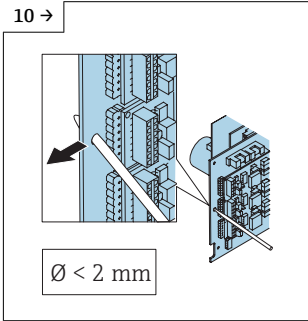
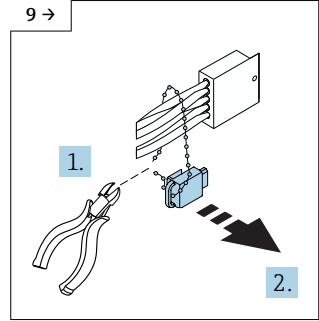
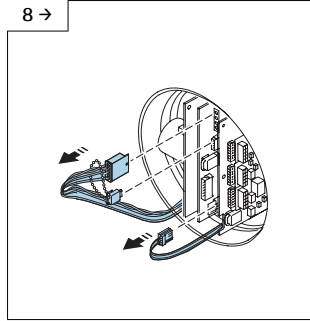
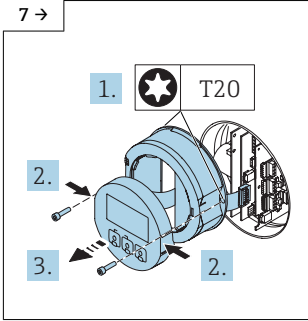
IfPromag 50

Detach the existing S-DAT from the cable tie and remove from the transmitter.

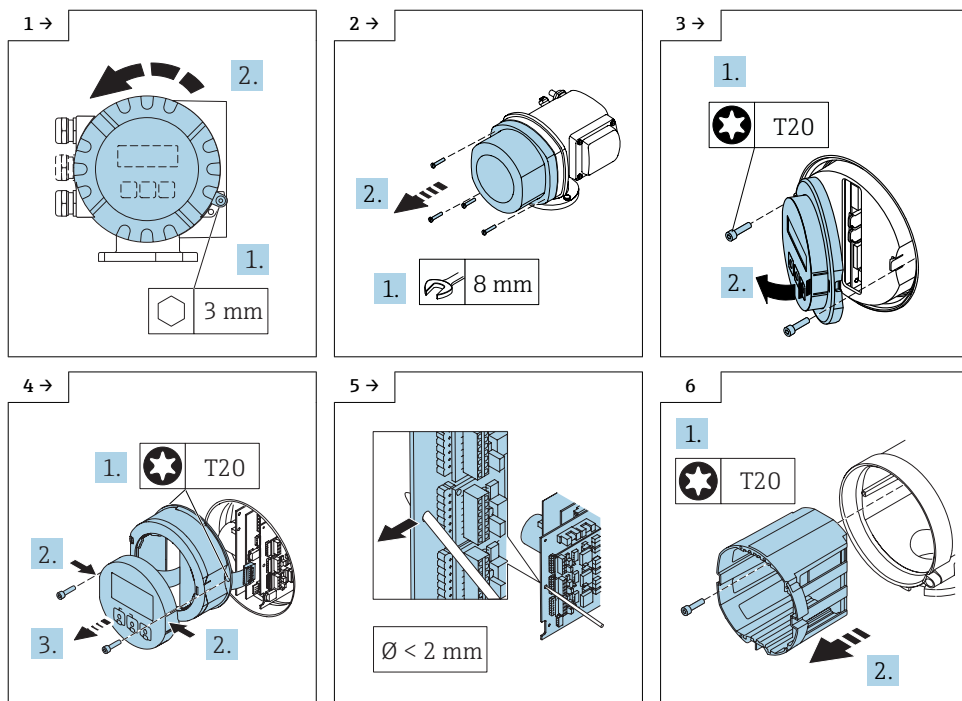
IfPromag 53

Detach the existing S-DAT and T-DAT from the cable tie and remove from the transmitter.

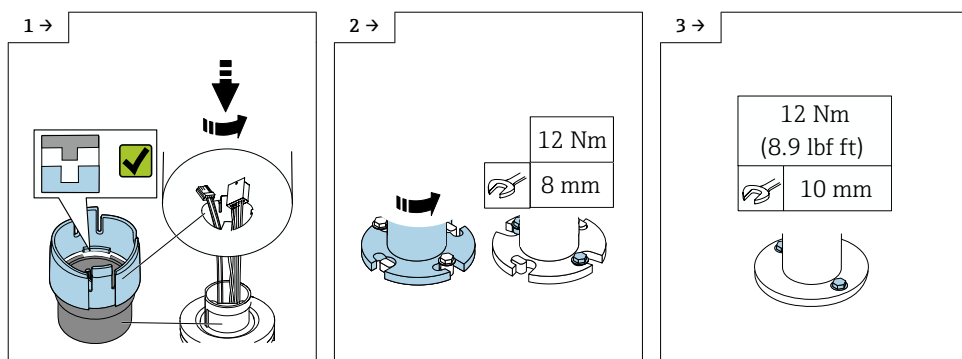


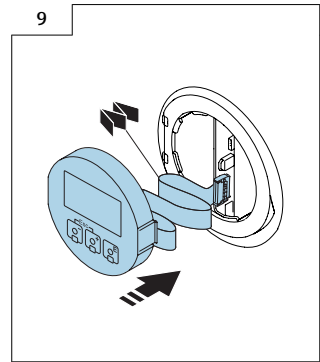
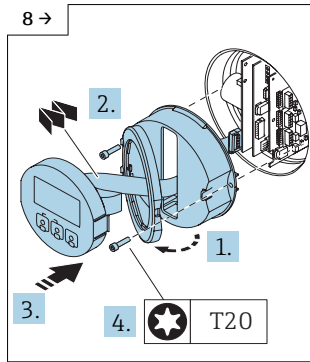
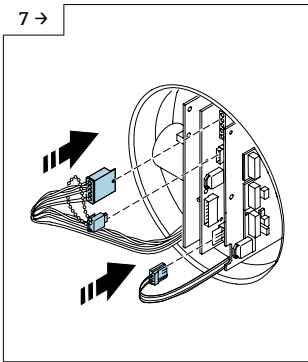
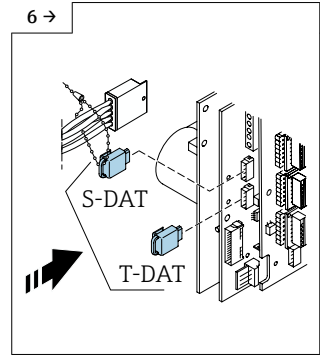
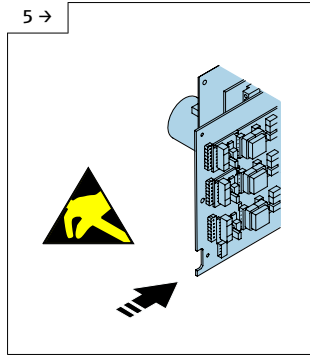
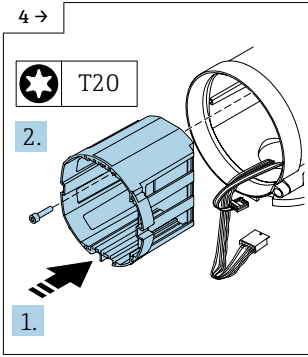


8.2 Preparing Promag 55 transmitter for installation

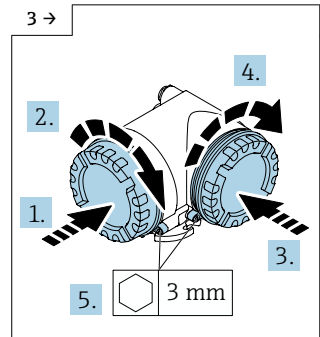
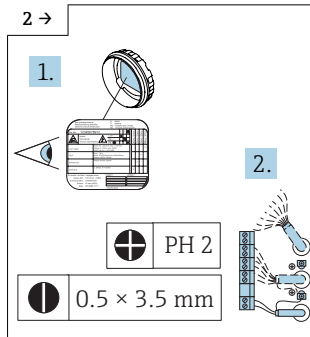
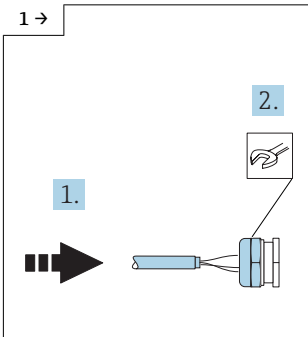


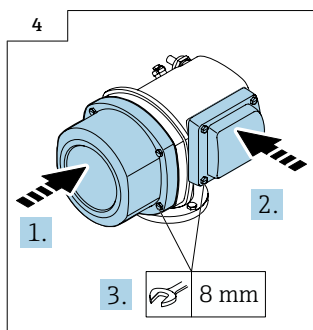
8.3 Installing Promag 55 transmitter







8.4 Connecting the transmitter





8.5 Commissioning the measuring device

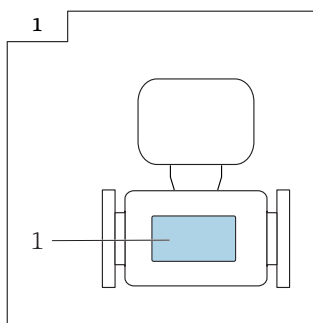
-  Depending on the pipe diameter and the existing mains frequency (50Hz/ 60Hz), the measuring period and particularly the output damping must be configured in accordance with the table in section 10. The service code is required to enter some of the parameters.
 - Complete the "Data archiving" form provided and send it to the address indicated for archiving (data storage in the Endress + Hauser database).
 - When installing a Promag 50, enter data from parameter list.
 - When installing a Promag 53, use the T-DAT SAVE/LOAD function → LOAD option.
 - If necessary, perform an empty pipe/full pipe adjustment as described in the Operating Instructions.

 For detailed information on the electrical connection, see the "Electrical connection" section of the Operating Instructions for the device.

 For detailed information on commissioning, see the "Commissioning" section of the Operating Instructions for the device.

8.6 Modifying the label

Following conversion, enter the date of the conversion on the information label and attach the information label (1) in accordance with the diagram.



8.7 Modifications to the product roots and extended order codes in the CER database on ENGINE



For customers:

To ensure the device data are updated correctly in the Common Equipment Record (database), please contact the Endress+Hauser service organization. Contact data available at:

Link: <http://www.addresses.endress.com>



For service technicians only:

Obligatory instruction

Technical changes such as upgrades, changes to configurations at inputs and outputs or modifications to Endress+Hauser flowmeters necessitate the modification of the product root (e.g. 5W4B => 5W4C) and/or the extended order code or the order code of the affected device. Changes of this kind therefore necessitate new nameplates that correctly display each technical change to the specified device data. In addition, the service organization responsible for implementing technical changes to devices must ensure that the changed device data are modified accordingly in the Endress+Hauser CER database.

This modification is absolutely essential in ensuring that the correct device data are displayed in the CER database on ENGINE. Future deliveries of spare parts, as well as follow-up orders for new devices using modified order structures, are guaranteed to be correct.

The following options are available:

1. Modify the product root and/or extended order code directly in the CER database on ENGINE. This must be carried out by a person from the service organization (SC) in question. Administrator rights are required for this. For additional information about CER admin users, please use the following link to clue.endress.com:

Link: <http://clue.endress.com/display/wamwiki/CER+Admins>

If you do not have administrator rights, please use the following link to clue.endress.com in order to receive CER training. Once you have completed this training program, you will be assigned admin status.

Link: <http://clue.endress.com/display/wamwiki/CER+admin+functions>

9 Promag 50, Promag 55 parameter list

Promag 50 Parameter to be read out	Current parameter value	Promag 55 To be entered in parameter	Parameter number
System units			
Unit volume flow		Unit volume flow	0402
Volume unit		Volume unit	0403
Operation			
Language		Language	2000
Private code		Private code	2021
Display:			
Format		Format	2202 2402 2602
Contrast LCD		Contrast LCD	2003
Totalizer			
Total		Total	3040
Overflow		Overflow	3041
Current output:			
Current span		Current span	4001
Value 20mA		Value 20mA	4003
Time constant		Time constant	4005
Pulse output:			
Operating mode		Operating mode	4200
Pulse value		Pulse value	4222
Pulse width		Pulse width	4223
Output signal		Output signal	4226
Assign status		Assign status	4241
Switch-on point		Switch-on point	4242
Switch-off value		Switch-off value	4244
Communication:			
Device tag		Device tag	6000
Tag description		Tag description	6001
Bus address		Bus address	6002
Write protection		Write protection	6004

Promag 50 Parameter to be read out	Current parameter value	Promag 55 To be entered in parameter	Parameter number
Manufacturer No.		Manufacturer ID	6040
Device type code		Device type code	6041
Process parameter:			
On value low flow cut off		On value low flow cut off	6402
Empty pipe detection (EPD)		Empty pipe detection (EPD)	6420
System parameters:			
Installation direction sensor		Installation direction sensor	6606
Measuring mode		Measuring mode	4004 4206 4225 4705
Flow override		Flow override	6605
System damping		System damping	6603
-	already configured	Output damping	6604
Sensor data:			
K-factor	already configured	K-factor positive K-factor negative	6801 6802
Zero point	already configured	Zero point	6803
Nominal diameter	already configured	Nominal diameter	6804
Measuring period	already configured	Measuring period	6820
EPD electrode	already configured	EPD electrode	6822
Monitoring:			
Failure mode		Failure mode	4006 4209 4227
Alarm delay		Alarm delay	8005
Sensor version			
Serial number		Serial number	8200
Sensor type		Sensor type	8201

10 Settings dependent on mains frequency

Promag 55W, 55P			
DN	DN	Measuring period	
[mm]	[inch]	[ms]	
		50 Hz	60 Hz
25	1"	60	50
32	–	60	50
40	1 1/2"	60	50
50	2"	60	50
65	–	60	50
80	3"	60	66.7
100	4"	60	66.7
125	–	100	100
150	6"	100	100
200	8"	100	100
250	10"	120	116.7
300	12"	120	116.7
350	14"	120	116.7
400	16"	120	116.7
450	18"	140	150
500	20"	140	150
600	24"	160	166.7

Promag 55H			
DN	DN	Measuring period	
[mm]	[inch]	[ms]	
		50 Hz	60 Hz
2	1/12"	40	33.3
4	5/32"	40	33.3
8	5/16"	40	33.3
15	1/2"	40	33.3
25	1"	40	33.3
25 DIN	–	40	50.0

Promag 55H			
DN	DN	Measuring period	
[mm]	[inch]	[ms]	
		50 Hz	60 Hz
40	1 1/2"	60	50.0
50	2"	60	50.0
65	2 1/2"	60	50.0
80	3"	60	66.7
100	4"	60	66.7



The output damping must be configured as follows:

For 50 Hz mains frequency or DC: 20 ms output damping.

For 60 Hz mains frequency: 16.7 ms output damping.

The output damping can be configured only by Service.

Umbau Messumformer Promag 50, 53 Kompaktausführung zu Promag 55 Kompaktausführung

Promag 50, 53, 55

Inhaltsverzeichnis

1	Übersicht Umbausätze	20
2	Messumformer, die für den Umbau verwendet werden dürfen	20
3	Umbauberechtigte Personen	20
4	Sicherheitshinweise	21
5	Verwendete Symbole	22
6	Werkzeugliste	23
7	Vorbereitende Arbeiten: Gerätedaten sichern	24
8	Umbau Promag 50, 53 Kompaktausführung zu Promag 55 Kompaktausführung	25
9	Parameterliste Promag 50, Promag 55	31
10	Netzfrequenzabhängige Einstellungen	33

1 Übersicht Umbausätze

Die Umbauanleitung ist für folgende Umbausätze gültig:

Vorgang	Bestellcode Umbausatz	Gerätekomponente (Inhalt)
Umbau Promag 50, 53 Kompaktausführung auf Promag 55 Kompaktausführung	DK5UP-7	1 × Hinweisschild für den Messaufnehmer 1 × Formular Daten-Archivierung 1 × Umbauanleitung

2 Messumformer, die für den Umbau verwendet werden dürfen



Für den Umbau benötigte Messumformer müssen separat bestellt werden. Es können nur Messumformer mit folgendem Bestellcode verwendet werden:

	1	2	3	4	5	6	7	8	9	10	11	12	13	14	15	16	17	18
Bestellcode Messum- former Promag	5	5	X	X	X	-	X	X	X	X	X	A, R	A, B, P, R, 1, 2	*	*	*	*	*

3 Umbauberechtigte Personen

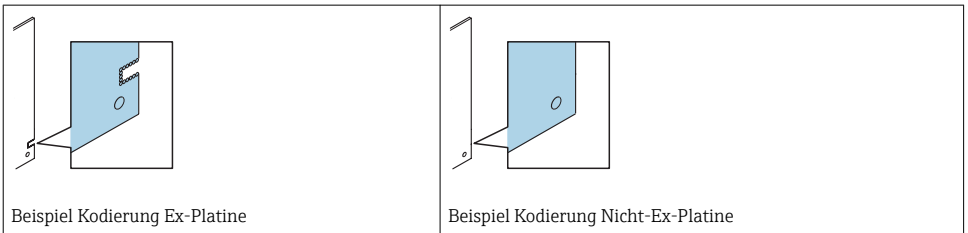
Die Berechtigung zur Durchführung eines Umbaus ist von der Zulassung des Messgeräts abhängig. Die Tabelle zeigt den jeweils berechtigten Personenkreis.

Zulassung des Messgeräts	Umbauberechtigter Personenkreis ¹⁾
Ohne Zulassung	2, 3
mit Zulassung (z.B. IECEx)	2, 3
Bei eichfähigem Verkehr	4

- 1) 1 = Ausgebildete Fachkraft des Kunden, 2 = Von Endress+Hauser autorisierter Servicetechniker,
3 = Endress+Hauser (Messgerät an Hersteller zurücksenden)
4 = Mit der lokalen Zulassungsstelle prüfen, ob ein Ein-/Umbau unter Aufsicht erfolgen muss.

4 Sicherheitshinweise

- Nur Originalteile von Endress+Hauser verwenden.
- Nationale Vorschriften bezüglich der Montage, elektrischen Installation, Inbetriebnahme, Wartung und Umbau einhalten.
- Folgende Anforderungen an das Fachpersonal für Montage, elektrische Installation, Inbetriebnahme, Wartung und Umbau der Messgeräte müssen erfüllt sein:
 - In Gerätesicherheit ausgebildet.
 - Mit den jeweiligen Einsatzbedingungen der Geräte vertraut.
 - Bei Ex-zertifizierten Messgeräten: zusätzlich im Explosionsschutz ausgebildet.
- Messgerät unter Spannung! Lebensgefahr durch Stromschlag. Messgerät nur im spannungslosen Zustand öffnen.
- Bei Ex-zertifizierten Messgeräten: Nur in spannungslosem Zustand (nach Berücksichtigung einer Wartezeit von 10 Minuten nach Abschalten der Energiezufuhr) oder in Umgebungen öffnen, die keine explosionsfähige Atmosphäre enthalten.
- Bei Messgeräten in sicherheitstechnischen Applikationen gemäß IEC 61508 bzw. IEC 61511: Nach Umbau Neuinbetriebnahme gemäß Betriebsanleitung durchführen. Umbau dokumentieren.
- Vor einem Geräteausbau: Prozess in sicheren Zustand bringen und Leitung von gefährlichen Prozessstoffen befreien.
- Verbrennungsgefahr durch heiße Oberflächen! Vor Arbeitsbeginn: Anlage und Messgerät auf berührungssichere Temperatur abkühlen.
- Bei Messgeräten im abrechnungspflichtigen Verkehr: Nach Entfernen der Plombe ist der geeichte Zustand aufgehoben.
- Die Betriebsanleitung zum Messgerät ist zu beachten.
- Beschädigungsgefahr elektronischer Bauteile! Eine ESD-geschützte Arbeitsumgebung herstellen.
- Nach Entfernen der Elektronikabdeckung: Stromschlaggefahr durch aufgehobenen Berührungsschutz!
Messgerät ausschalten, bevor interne Abdeckungen entfernt werden.
- Gehäuse nur kurzzeitig öffnen. Eindringen von Fremdkörpern, Feuchtigkeit oder Verunreinigung vermeiden.
- Leiterplatten für Geräte der Kategorien II1G, II1D, II 2G, II 2D, Zone 1 und Class I, Div. 1, Gp. A, B, C, D besitzen eine Aussparung / Leiterplattenkodierung. Das eigenmächtige Herausbrechen der Kodierung ist nicht zulässig, weil dadurch der Explosionsschutz aufgehoben wird.







- **Achtung!** Beim Auswechseln von Messverstärker-, I/O-Platine oder Submodulen: Kompatibilität mit der vorhandenen Software sicherstellen. Der Auslesevorgang der Software Revisionsnummer ist in der Betriebsanleitung (Gerätefunktionen) beschrieben. Wenn die Software der Platine nicht kompatibel ist, muss mit Hilfe einer Bediensoftware (z. B. Field Care) ein Update durchgeführt werden. Bei funktionalen Änderungen Anlagenbetreiber informieren.
- Defekte Dichtungen nur durch Original-Dichtungen von Endress+Hauser ersetzen.
- Defekte Gewinde erfordern eine Instandsetzung des Messgeräts.
- Gewinde (z.B. von Elektronikraum- und Anschlussraumdeckel) müssen geschmiert sein, sofern keine abriebfeste Trockenschmierung vorhanden ist. Säurefreies, nicht härtendes Fett verwenden.
- Wenn bei den Umbauarbeiten Abstände reduziert oder die Spannungsfestigkeit des Messgeräts nicht sichergestellt werden kann: Prüfung nach Abschluss der Arbeiten durchführen (z.B. Hochspannungstest gemäß Herstellerangaben).
- Servicestecker:
 - Nicht in explosionsfähiger Atmosphäre anschließen.
 - Nur an Servicegeräte von Endress+Hauser anschließen.
- Die in der Betriebsanleitung aufgeführten Hinweise zum Transport und zur Rücksendung beachten.







Bei Fragen kontaktieren Sie bitte Ihre zuständige [Endress+Hauser Serviceorganisation](#).

5 Verwendete Symbole


5.1 Warnhinweissymbole

Symbol	Bedeutung
	GEFAHR! Dieser Hinweis macht auf eine gefährliche Situation aufmerksam, die, wenn sie nicht vermieden wird, zu Tod oder schwerer Körperverletzung führen wird.
	WARNUNG! Dieser Hinweis macht auf eine gefährliche Situation aufmerksam, die, wenn sie nicht vermieden wird, zu Tod oder schwerer Körperverletzung führen kann.
	VORSICHT! Dieser Hinweis macht auf eine gefährliche Situation aufmerksam, die, wenn sie nicht vermieden wird, zu leichter oder mittelschwerer Körperverletzung führen kann.
	HINWEIS! Dieser Hinweis enthält Informationen zu Vorgehensweisen und weiterführenden Sachverhalten, die keine Körperverletzung nach sich ziehen.

5.2 Symbole für Informationstypen


Symbol	Bedeutung
	Erlaubt Abläufe, Prozesse oder Handlungen, die erlaubt sind.
	Verboten Abläufe, Prozesse oder Handlungen, die verboten sind.
	Tipp Kennzeichnet zusätzliche Informationen.
	Handlungsschritte

6 Werkzeugliste


 3 mm	 T20	 PH2	 0.5 x 3.5 mm	 Seitenschneider
 Kabelbinder	 8 mm, 10 mm 22 mm	säurefreies, nicht härtendes Fett	Stift / Werkzeug Ø < 2 mm (0,08 in)	

7 Vorbereitende Arbeiten: Gerätedaten sichern

Umbau Promag 50

 Aus der Applikation wichtige Parameter des Messgerätes auslesen z.B. anhand des Quick Setups "Inbetriebnahme", Betriebsanleitung zum Gerät. Und in die Parameterliste in Kapitel 9 eintragen. Notierte Parameter nach dem Umbau in den neuen Messumformer eingeben.


Umbau Promag 53


 Parameter des Messumformers auf dem T-DAT sichern mit Hilfe der Funktion "T-DAT VERWALTEN". Beschreibung der Gerätefunktionen oder Bedienungsanweisung im Kapitel "Inbetriebnahme" → Datensicherung mit "T-DAT speichern/laden". Nach dem Umbau den T-DAT in den Messumformer einsetzen.

7.1 Übersicht Datenspeicher (Histo-ROM) and F-CHIP

Datenspeicher	Farbe	Promag 50 Kompaktausführung auf Promag 55 Kompaktausführung	Promag 53 Kompaktausführung auf Promag 55 Kompaktausführung
S-DAT	blau	Wiedereinbau	Wiedereinbau
T-DAT	schwarz	Neu	Wiedereinbau
F-CHIP (optional)	rot	Neu	Neu

7.2 Gültige Dokumentation

 Für den Messumformer ist die Dokumentation für Promag 55 massgebend.

 Für den Messaufnehmer ist die Dokumentation für Promag 50, 53 massgebend.

7.3 Umbautechnisch bedingte Änderungen und Einschränkungen

Messgenauigkeit

Nach Umbau des Geräts muss mit einer zusätzlichen Messabweichung von $\pm 0,2\%$ vom Messwert gerechnet werden.

8 Umbau Promag 50, 53 Kompaktausführung zu Promag 55 Kompaktausführung

8.1 Messumformer Promag 50, 53 ausbauen

⚠ VORSICHT

Messgerät unter Spannung!

Lebensgefahr durch Stromschlag.

- ▶ Messgerät nur im spannungslosen Zustand öffnen.

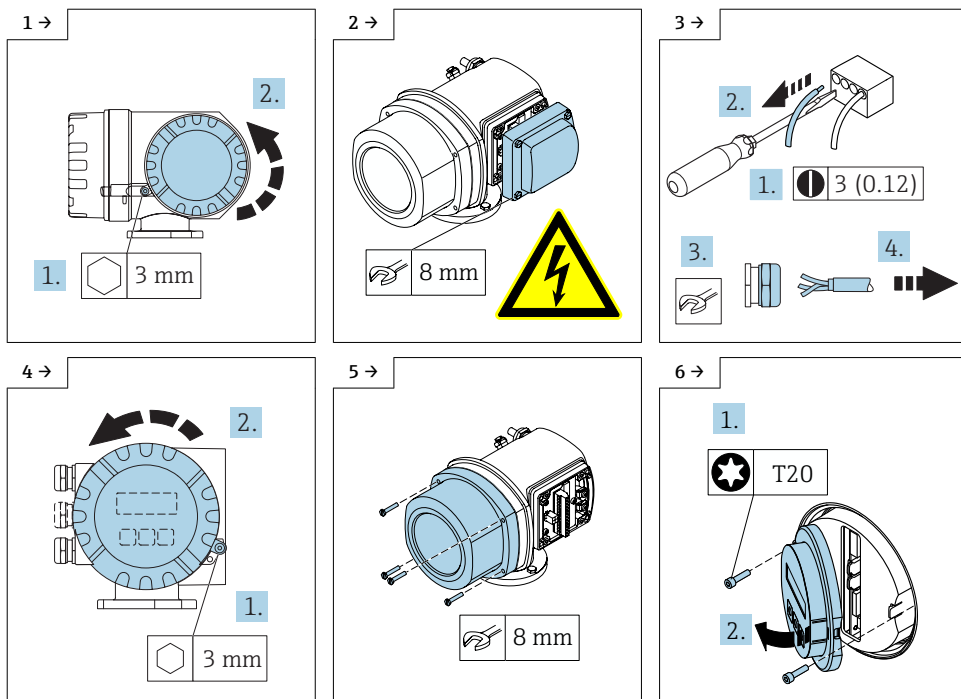
Wenn bei den Umbauarbeiten Abstände reduziert oder die Spannungsfestigkeit des Messgeräts nicht sichergestellt werden kann: Prüfung nach Abschluss der Arbeiten durchführen (z.B. Hochspannungstest gemäß Herstellerangaben).

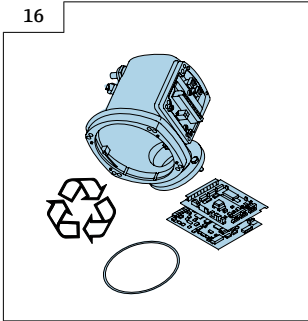
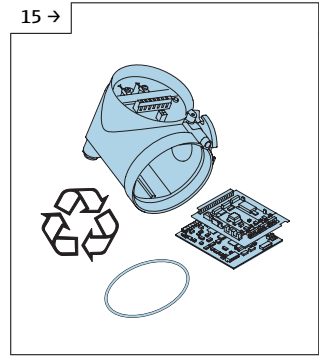
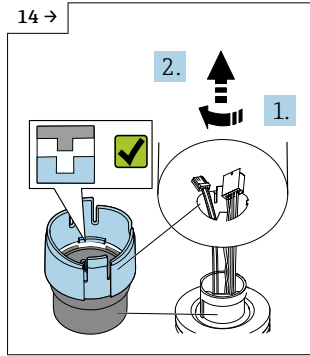
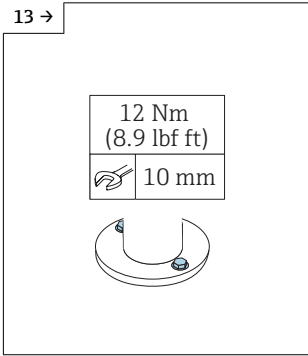
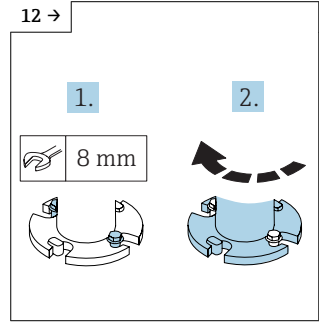
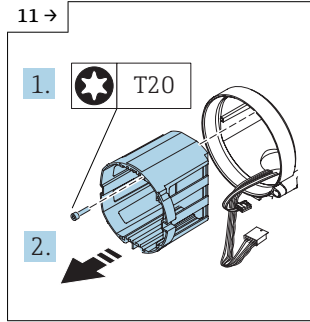
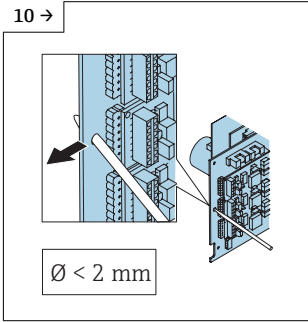
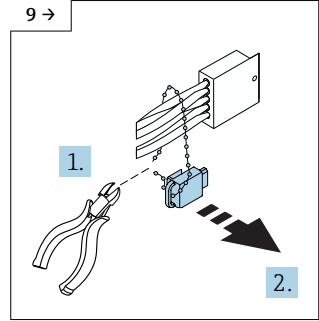
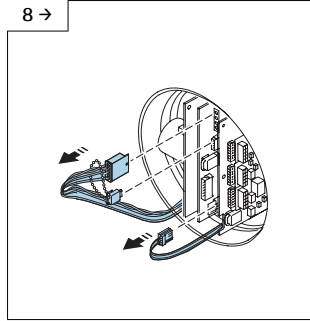
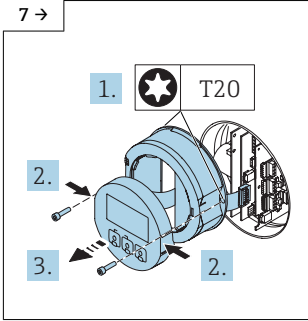
i Für Promag 50

Den vorhandenen S-DAT vom Kabelbinder trennen und aus bestehenden Messumformer herausziehen.

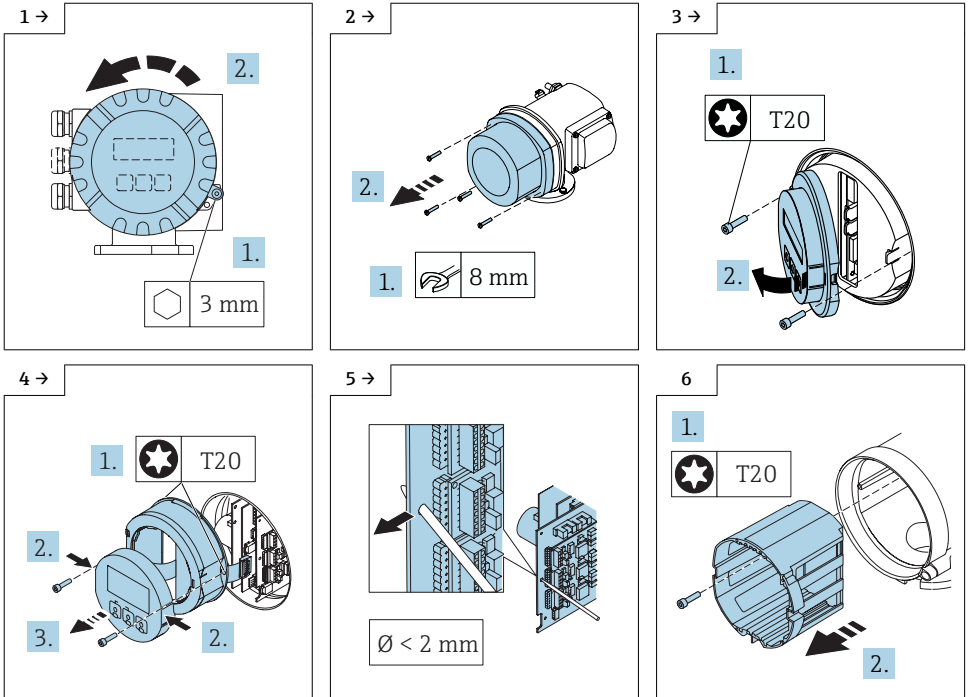
Für Promag 53

Den vorhandenen S-DAT und T-DAT vom Kabelbinder trennen und aus bestehenden Messumformer herausziehen.

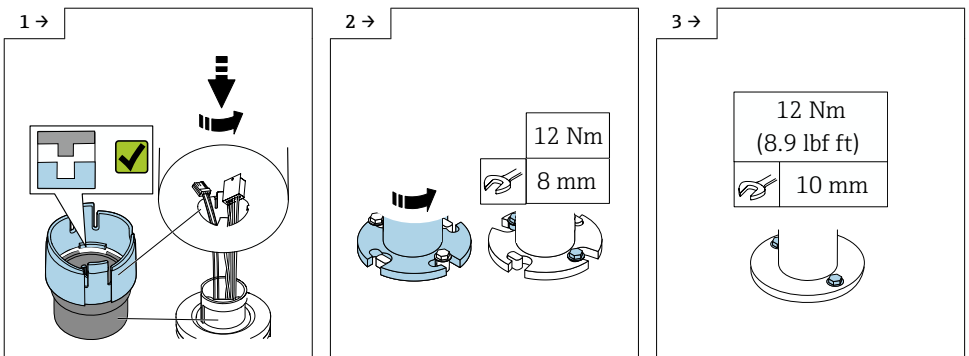


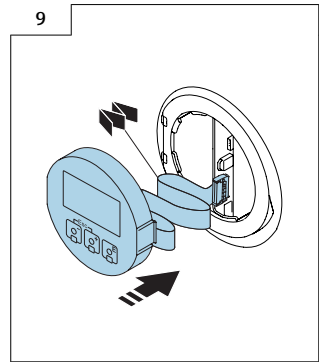
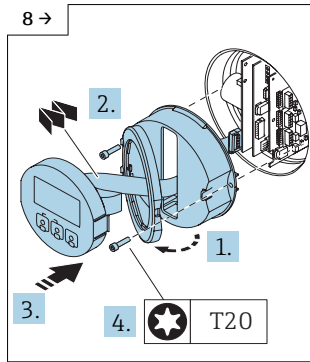
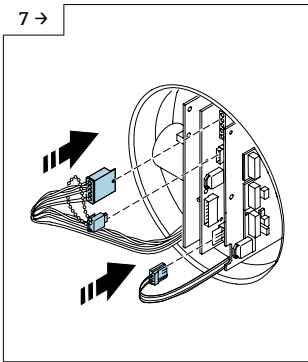
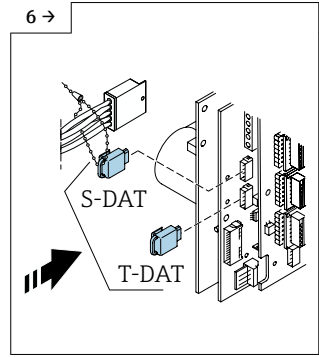
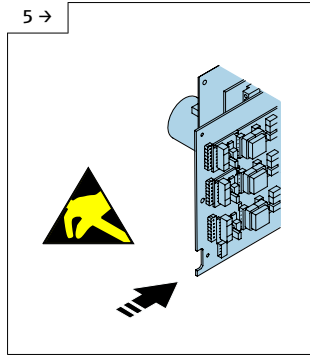
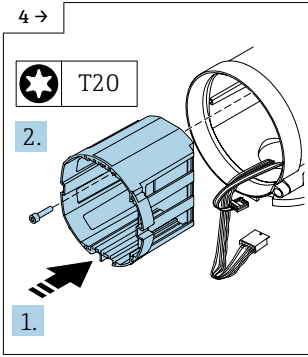


8.2 Messumformer Promag 55 für Einbau vorbereiten

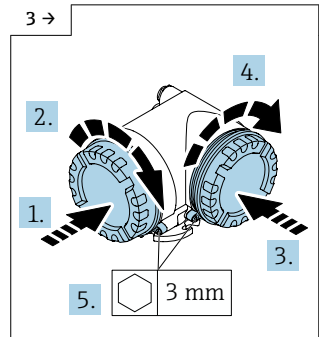
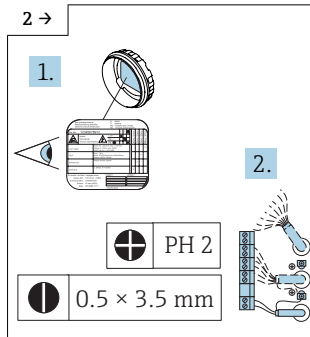
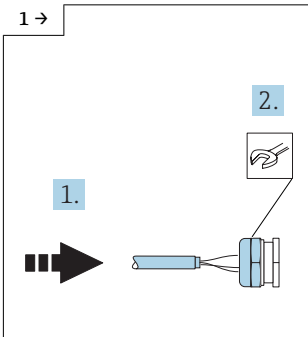


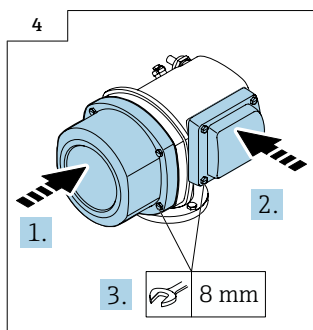
8.3 Messumformer Promag 55 einbauen






8.4 Messumformer anschließen





8.5 Inbetriebnahme des Messgerätes

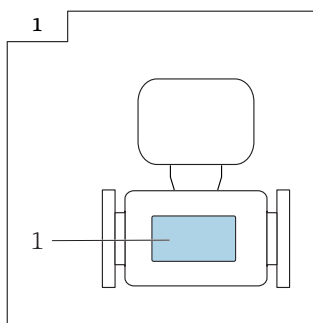
-  ■ Abhängig vom Rohrdurchmesser und der vorhandenen Netzfrequenz (50Hz/ 60Hz) sind Messperiode und insbesondere die Integrationszeit gemäss Tabelle in Kapitel 10 einzustellen. Einige Parametereingaben erfordern den Servicecode.
- Beigelegtes Formular "Archivierung" auszufüllen und zur Archivierung an die dort angegebene Adresse senden (Datenspeicherungen in der Endress+Hauser Datenbank).
- Beim Umbau eines Promag 50: Daten aus der Parameterliste eingeben.
- Beim Umbau eines Promag 53: Funktion T-DAT VERWALTEN → Auswahl LADEN verwenden.
- Falls notwendig Leer- /Vollrohrbleich entsprechend der Beschreibung in der Betriebsanleitung durchführen.

 Detaillierte Angaben zum elektrischen Anschluss: Kapitel "Elektrischer Anschluss", Betriebsanleitung zum Gerät.

 Detaillierte Angaben zur Inbetriebnahme: Kapitel "Inbetriebnahme", Betriebsanleitung zum Gerät.

8.6 Anpassung der Kennzeichnung

Nach dem Umbau das Umbau-Datum auf das Hinweisschild eintragen und Hinweisschild (1) gemäss Abbildung aufkleben.



8.7 Anpassungen von Gerätewurzeln und erweiterten Bestellcodes in der CER Datenbank auf ENGINE



Für den Kunden:

Damit die Gerätedaten in der Common Equipment Record (Datenbank) aktualisiert werden, an die zuständige Endress+Hauser Serviceorganisation wenden. Kontaktdaten unter:

Link: <http://www.addresses.endress.com>



Nur für den Service Techniker:

Verpflichtende Anweisung

Technische Änderungen wie Upgrades-, Änderungen von Konfigurationen an Ein-/Ausgängen, sowie Umbauten an Endress+Hauser Durchflussmessgeräten führen zu einer notwendigen Anpassung der Gerätewurzel (z.B. 5W4B => 5W4C) und/oder des erweiterten Bestellcodes, bzw. des Bestellcodes des betroffenen Gerätes. Veränderungen dieser Art erfordern somit neue Typenschilder, welche jede technische Veränderung der genannten Gerätedaten korrekt anzeigen. Zusätzlich muss die verantwortliche Serviceorganisation, welche technische Veränderungen an Geräten durchführt, sicherstellen, dass die geänderten Gerätedaten in der Endress+Hauser CER Datenbank entsprechend angepasst werden.

Diese Anpassung ist zwingend notwendig, damit die korrekten Gerätedaten in der CER Datenbank auf ENGINE angezeigt werden. Eine korrekte Ersatzteillieferung, wie auch Folgebestellungen von Neugeräten über modifizierte Bestellstrukturen, werden zukünftig sichergestellt.

Folgende Möglichkeiten stehen zur Verfügung:

1. Anpassen der Gerätewurzel und/oder des erweiterten Bestellcodes direkt in der CER Datenbank auf ENGINE. Dies muss durch eine Person der jeweiligen Serviceorganisation (SC) ausgeführt werden. Admin-Rechte sind hierfür zwingend notwendig. Für weitere Informationen über CER Admin- Benutzer folgenden Link verwenden auf clue.endress.com:

Link: <http://clue.endress.com/display/wamwiki/CER+Admins>

Sind keine Admin-Rechte vorhanden, folgenden Link verwenden auf clue.endress.com, um ein CER Training zu erhalten. Nach der Teilnahme an diesem Training wird der Admin-Status zugeteilt.

Link: <http://clue.endress.com/display/wamwiki/CER+admin+functions>

9 Parameterliste Promag 50, Promag 55

Promag 50 Auszulesender Parameter	Aktueller Parameterwert	Promag 55 Einzugeben in Parameter	Parameternummer
System-Einheiten			
Einheit Volumen-Fluss		Einheit Volumen-Fluss	0402
Einheit Volumen		Einheit Volumen	0403
Betrieb			
Sprache		Sprache	2000
Kundencode		Kundencode	2021
Anzeige:			
Format		Format	2202 2402 2602
Kontrast LCD		Kontrast LCD	2003
Summenzähler			
Summe		Summe	3040
Überlauf		Überlauf	3041
Stromausgang:			
Strombereich		Strombereich	4001
Wert 20mA		Wert 20mA	4003
Zeitkonstante		Zeitkonstante	4005
Impulsausgang:			
Betriebsart		Betriebsart	4200
Impulswertigkeit		Impulswertigkeit	4222
Impulsbreite		Impulsbreite	4223
Ausgangssignal		Ausgangssignal	4226
Zuordnung Status		Zuordnung Status	4241
Einschaltpunkt		Einschaltpunkt	4242
Ausschaltpunkt		Ausschaltpunkt	4244
Kommunikation:			
Messstellenbezeichnung		Messstellenbezeichnung	6000
Messstellenbeschreibung		Messstellenbeschreibung	6001
Bus-Adresse		Bus-Adresse	6002
Schreibschutz		Schreibschutz	6004

Promag 50 Auszu lesender Parameter	Aktueller Parameterwert	Promag 55 Einzugeben in Parameter	Parameter nummer
Hersteller Nr.		Hersteller ID	6040
Geräte ID		Geräte ID	6041
Prozessparameter:			
Einschalt punkt Schleichmenge		Einschalt punkt Schleichmenge	6402
MSÜ		MSÜ	6420
Systemparameter:			
Einbaurichtung Aufnehmer		Einbaurichtung Aufnehmer	6606
Messmodus		Messmodus	4004 4206 4225 4705
Messwertunterdrückung		Messwertunterdrückung	6605
Systemdämpfung		Systemdämpfung	6603
-	bereits parametrier t	Integrationszeit	6604
Aufnehmerdaten:			
K-Faktor	bereits parametrier t	K-Faktor positiv K-Faktor negativ	6801 6802
Nullpunkt	bereits parametrier t	Nullpunkt	6803
Nennweite	bereits parametrier t	Nennweite	6804
Messperiode	bereits parametrier t	Messperiode	6820
MSÜ-Elektrode	bereits parametrier t	MSÜ-Elektrode	6822
Überwachung:			
Fehlerverhalten		Fehlerverhalten	4006 4209 4227
Alarmverzögerung		Alarmverzögerung	8005
Sensor Version			
Seriennummer		Seriennummer	8200
Sensor Typ		Sensor Typ	8201

10 Netzfrequenzabhängige Einstellungen

Promag 55W, 55P			
DN	DN	Messperiode	
[mm]	[inch]	[ms]	
		50 Hz	60 Hz
25	1"	60	50
32	-	60	50
40	1 1/2"	60	50
50	2"	60	50
65	-	60	50
80	3"	60	66,7
100	4"	60	66,7
125	-	100	100
150	6"	100	100
200	8"	100	100
250	10"	120	116,7
300	12"	120	116,7
350	14"	120	116,7
400	16"	120	116,7
450	18"	140	150
500	20"	140	150
600	24"	160	166,7

Promag 55H			
DN	DN	Messperiode	
[mm]	[inch]	[ms]	
		50 Hz	60 Hz
2	1/12"	40	33,3
4	5/32"	40	33,3
8	5/16"	40	33,3
15	1/2"	40	33,3
25	1"	40	33,3
25 DIN	-	40	50,0

Promag 55H			
DN	DN	Messperiode	
[mm]	[inch]	[ms]	
		50 Hz	60 Hz
40	1 1/2"	60	50,0
50	2"	60	50,0
65	2 1/2"	60	50,0
80	3"	60	66,7
100	4"	60	66,7



Die Integrationszeit muss folgendermassen parametrier sein:

Für 50 Hz Netzfrequenz oder DC: 20 ms Integrationszeit.

Für 60 Hz Netzfrequenz: 16,7 ms Integrationszeit.

Die Integrationszeit ist nur über den Service einstellbar.



71421931

www.addresses.endress.com
