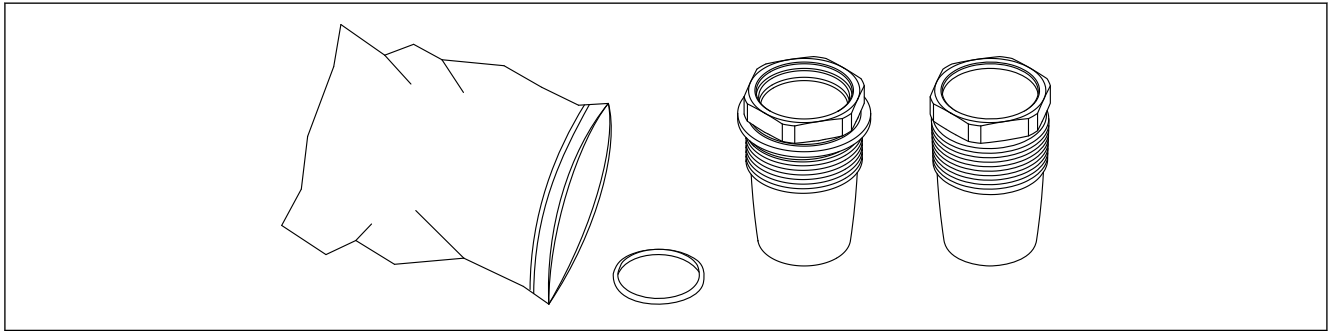


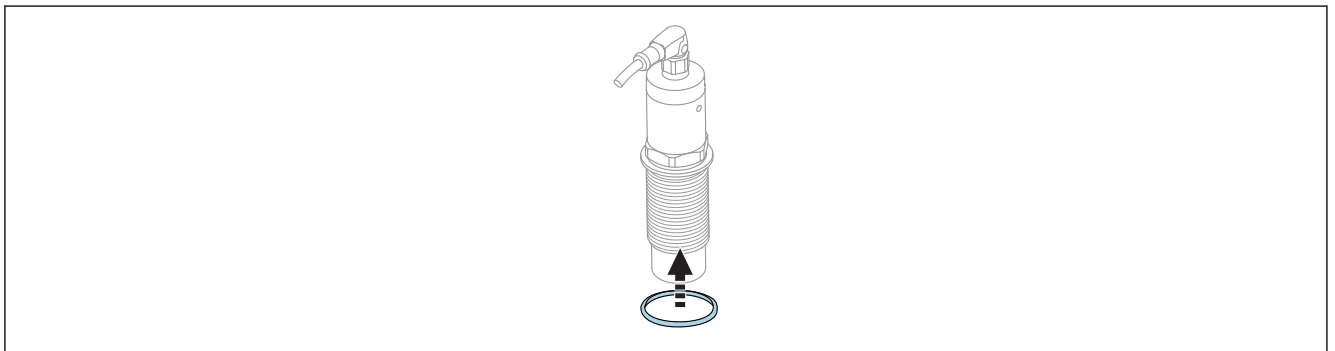


Special Documentation

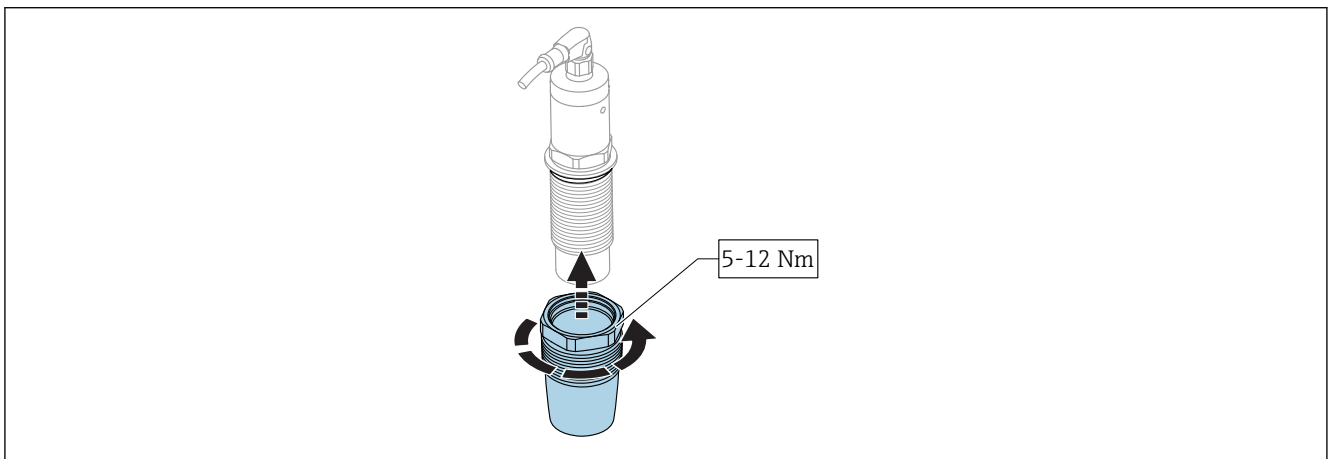
Protector G1 1/2, R1 1/2 or NPT1 1/2



A0036576



A0036616



A0036564