


Safety Instructions

WirelessHART adapter SWA70

JPN: Ex ia IIC T4 Gb
Ex ia IIC T3 Gb

Document: XA01761F-A

Safety instructions for electrical apparatus for explosion-hazardous areas →  3



WirelessHART adapter SWA70

Table of contents

Associated documentation	4
Supplementary documentation	4
Manufacturer's certificates	4
Manufacturer address	4
Extended order code	4
Safety instructions: General	5
Safety instructions: Special conditions	5
Safety instructions: Installation	6
Safety instructions: Zone 1	6
Safety instructions: Battery	6
Temperature tables	6
Connection data	7

Associated documentation This document is an integral part of the following Operating Instructions:
BA00061S/04

Supplementary documentation Explosion-protection brochure: CP00021Z/11
The Explosion-protection brochure is available:

- In the download area of the Endress+Hauser website:
www.endress.com -> Downloads -> Media Type: Documentation ->
Documentation Type: Brochures and catalogs -> Text Search: CP00021Z
- On the CD for devices with CD-based documentation

Manufacturer's certificates **Certificate of Conformity**

Certificate number:
JPEX DEK18.0001 (IIC T4 Gb)
JPEX DEK18.0002 (IIC T3 Gb)

Affixing the certificate number certifies conformity with the following standards (depending on the device version):

- JNIO SH-TR-46-1 : 2015
- JNIO SH-TR-46-6 : 2015

Manufacturer address Endress+Hauser SE+Co. KG
Hauptstraße 1
79689 Maulburg, Germany
Address of the manufacturing plant: See nameplate.

Extended order code The extended order code is indicated on the nameplate, which is affixed to the device in such a way that it is clearly visible. Additional information about the nameplate is provided in the associated Operating Instructions.

Structure of the extended order code

SWA70	–	*****	+	A*B*C*D*E*F*G*..
<i>(Device type)</i>		<i>(Basic specifications)</i>		<i>(Optional specifications)</i>

* = Placeholder
At this position, an option (number or letter) selected from the specification is displayed instead of the placeholders.

Basic specifications

The features that are absolutely essential for the device (mandatory features) are specified in the basic specifications. The number of positions depends on the number of features available. The selected option of a feature can consist of several positions.

Optional specifications

The optional specifications describe additional features for the device (optional features). The number of positions depends on the number of features available. The features have a 2-digit structure to aid identification (e.g. JA). The first digit (ID) stands for the feature group and consists of a number or a letter (e.g. J = Test, Certificate). The second digit constitutes the value that stands for the feature within the group (e.g. A = 3.1 material (wetted parts), inspection certificate).

More detailed information about the device is provided in the following tables. These tables describe the individual positions and IDs in the extended order code which are relevant to hazardous locations.

Extended order code: WirelessHART adapter

The following specifications reproduce an extract from the product structure and are used to assign:

- This documentation to the device (using the extended order code on the nameplate).
- The device options cited in the document.

Device type

SWA70

Basic specifications

Position 1, 2 (Approval)		
Selected option		Description
SWA70	J1	JPN Ex ia IIC T4 Gb
	J2	JPN Ex ia IIC T3 Gb

Position 3 (Output)		
Selected option		Description
SWA70	2	4-20 mA HART (U0 = 28 V)

Position 4 (Housing)		
Selected option		Description
SWA70	B	F33, Aluminium, IP66/67 NEMA Type 4X Encl.
	C	F39, 316L, IP66/67, NEMA Type 4X Encl.

Position 5 (Power Supply)		
Selected option		Description
SWA70	1	Battery BU191, Lithium metal, built-in, transport class 9/2, UN3091
	5	Prepared for battery

Optional specifications

No options specific to hazardous locations are available.

Safety instructions: General

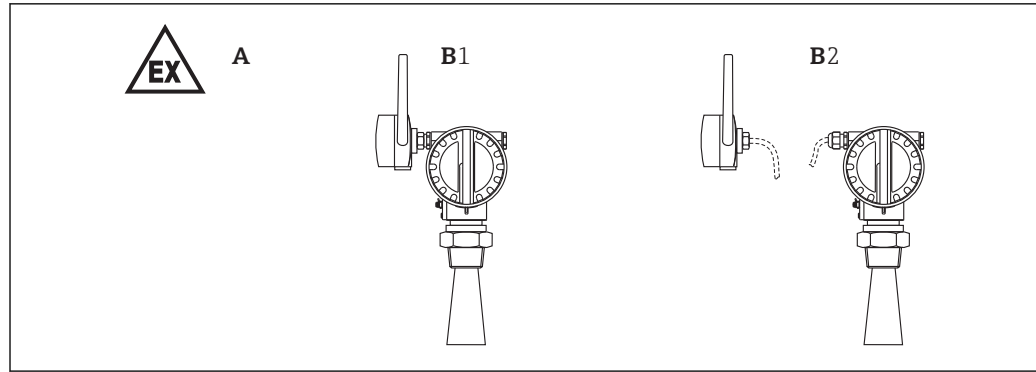
- Staff must meet the following conditions for mounting, electrical installation, commissioning and maintenance of the device:
 - Be suitably qualified for their role and the tasks they perform
 - Be trained in explosion protection
 - Be familiar with national regulations
- Install the device according to the manufacturer's instructions and national regulations.
- Avoid electrostatic charging:
 - Of plastic surfaces (e.g. housing, sensor element, special varnishing, attached additional plates, ..)
 - Of isolated capacities (e.g. isolated metallic plates)
- Dispose of used battery packs in an environmentally compatible manner.
- Observe national regulations on waste disposal.

**Safety instructions:
Special conditions**

In the event of additional or alternative special varnishing on the housing or other metal parts:

- Observe the danger of electrostatic charging and discharge.
- Do not rub surfaces with a dry cloth.

Safety instructions: Installation



1

- A Zone 1
 B1 Direct mounting at field device
 B2 Separate mounting with cable connection

- Avoid electrostatic charging (e.g. do not rub dry):
 - Of housing and antenna
 - Of the connecting cable
 - Of the "push button" special version (if available)
- The WirelessHART adapter is suitable for use in gases of Groups IIC and IIB if electrostatic charging (e.g. through friction, cleaning, maintenance, strong medium flow) is avoided.
- WirelessHART adapter: Indicated by the warning sign "Avoid Electrostatic Charge".
- Observe the pertinent guidelines when interconnecting intrinsically safe circuits.
- To maintain the ingress protection of the housing:
 - Screw the cover tight.
 - Mount the cable entry correctly.
- After aligning (rotating) the housing, retighten the fixing screw.
- Protect the connecting cable between the WirelessHART adapter and the field device from tension and friction (e.g. due to electrostatic charge from medium flow).
- Torque must be observed:
 - Cover screws: 0.7 Nm \pm 10%
 - Cable glands: 6.25 Nm \pm 10%
 - Sealing plug: 6.25 Nm \pm 10%

Potential equalization

Integrate the device into the local potential equalization.

Safety instructions: Zone 1

- Configuring the device: The electronics compartment can be opened when energized.
- To replace the battery, the WirelessHART adapter may be opened in hazardous locations.
- Seal unused entry glands with approved sealing plugs that correspond to the type of protection.

Safety instructions: Battery

- Only use the Endress+Hauser battery pack of type BU191 from serial number: 14/01/xxxxxxx as specified in the Operating Instructions.
- The PHR2 plug-in connector is designed in such a way that reverse polarity is not possible.
- Short-circuiting the plus and minus cable trips the irreversible, non-replaceable fuse.
- In gas explosion-hazardous areas: Only one battery pack of type BU191 is permitted.
- The safety of the device can be impaired, e.g.:
 - In case of visible damage to the battery housing
 - In case of improper storage
 - In case of damage during transportation

Temperature tables

Type of protection	Ambient temperature	Temperature class	Housing
Ex ia IIC	$-40\text{ °C} \leq T_a \leq +50\text{ °C}$	T4	Basic specification, Position 4 (Housing) = B, C
	$-40\text{ °C} \leq T_a \leq +60\text{ °C}$	T3	

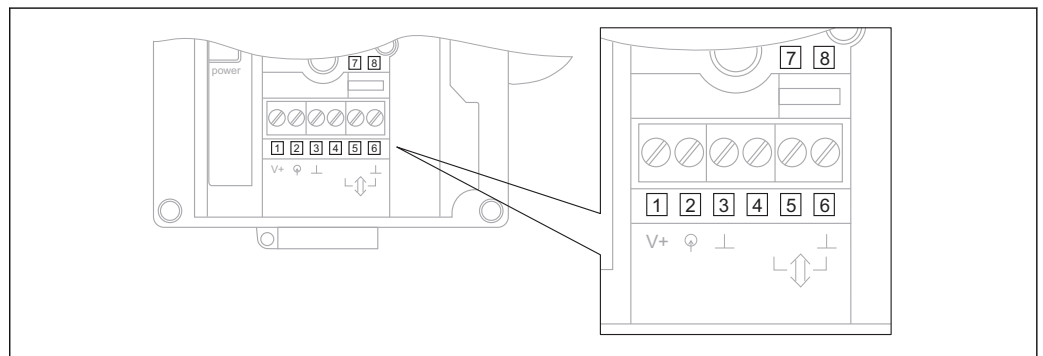
Connection data

4...20 mA + HART communication

i Connection options of the terminals: See Operating Instruction BA00061S, chapter "Electrical installation".

Adapter active (Terminals 1, 2)	Adapter passive (Terminals 2-8)
$U_o < 28 V_{DC}$ $I_o < 99 mA$ $P_o < 692 mW$ $L_o = 3.45 mH$ or $C_o = 70 nF$	$U_i = 30 V_{DC}$ $I_i = 100 mA$ $P_i = 751 mW$ $L_i = 426 \mu H$ $C_i = 24 nF$

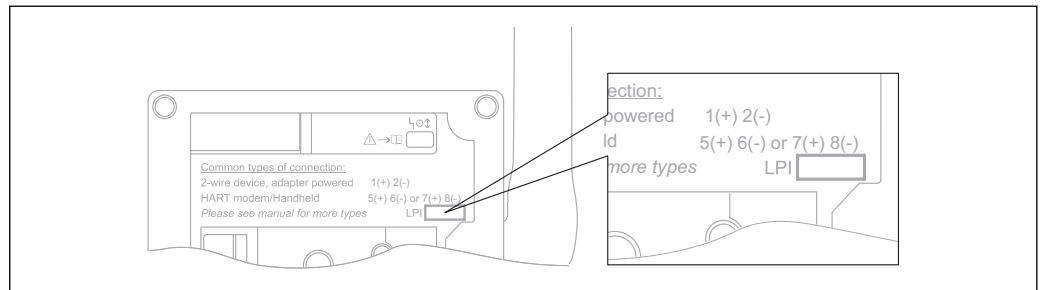
The adapter can be configured via two terminals (7 and 8, parallel to terminals 5 and 6) using a certified handheld terminal and taking into account safety-related nominal values.



A0031994

2

Connection of the LPI plug (active), optional feature



A0031995

3

Power supply
$U_o = 7.80 V$ $I_o = 1.03 A$ $P_o = 1.22 W$ $L_o = 21.51 \mu H$ or $C_o = 9.18 \mu F$



71404313

www.addresses.endress.com
